

Innovations 2024



Pauli Scandinavia AB
Member of Pauli + Sohn GmbH group



content

showers

PONTERE+ 6

FARDELLO new cover-plates38

FLAMEA+ LINEA.....36

AQUA Stop Pro.....80

interior solutions

EVERYSPACE interior.....88

LOFT INTERIOR partition wall system 124

constructive glass building

self-supporting canopy system 137

balustrade posts63

double glass point support..... 172

clamp fixtures: new EPDM gaskets..... 174

photovoltaic balustrades, canopies, facades.... 180

showers





PONTERE+

Mounting progress



MADE
IN
GERMANY

clear design

easy installation

The new PONTERE+ is the 2nd generation of our classic. The hinge is characterized by extensive innovations and detailed improvements. It is an aesthetic and functional highlight for individual solutions in the high-quality commercial and private sectors. The focus of development was on minimal gaps and a timelessly modern design. The externally adjustable closed-position increases ease of installation and adjustment. Clip-on covers can be fitted without tools and removed again if required (e.g. for servicing).

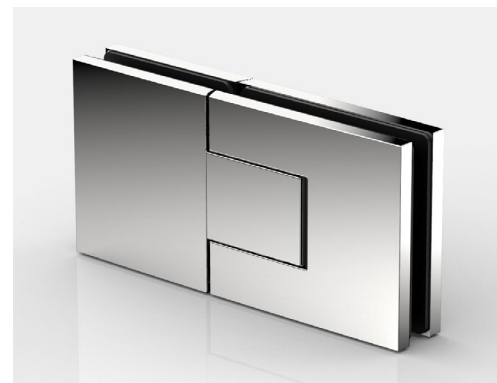
New contemporary surfaces matching the trends of renowned bathroom hardware manufacturers round off the high quality of this system. PONTERE+ therefore offers the greatest possible efficiency, ease of servicing and sustainability for use in private or hotel projects.

- load capacity (2 hinges): max. permissible weight: 50 kg, max. door panel width: 1000 mm
- glass thickness: 6/8/10 mm
- opening angle of the hinge 115° possible on both sides
- swing door hinge: glass-wall / glass-glass
- attaching angle brackets
- sealing profile spaced on the fitting side in the hinge area
- optimized for installation without sealing profiles
- minimized gap dimensions
- closed-position infinitely adjustable from the **outside**
- advantages:
 - better detection of the closed-position from the outside
 - no need to enter the shower repeatedly
- self-closing over the last few centimeters
- convenient installation thanks to innovative cover-cap-technology
- concealed closed-position adjustment
- areas of application:
 - wellness area, barrier-free bathrooms, commercial projects

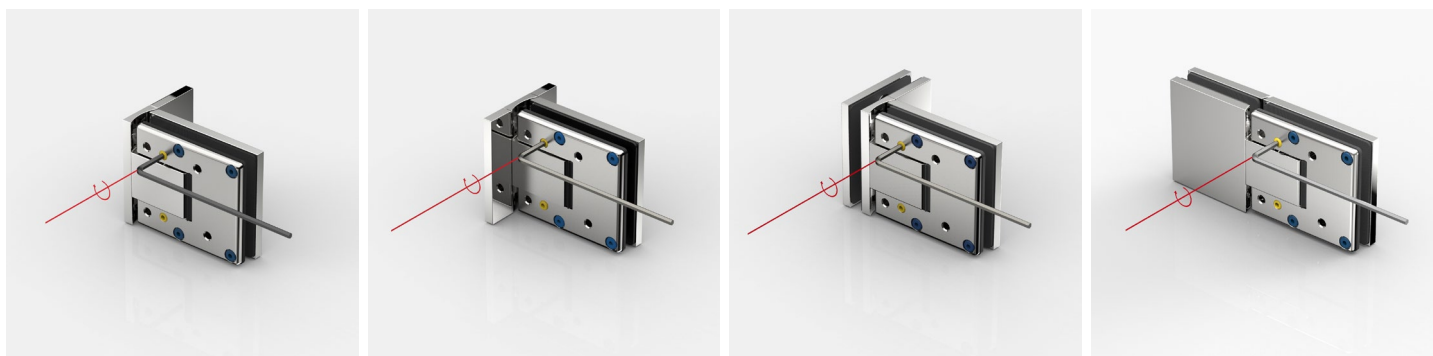
effective and quick installation

MADE
IN
GERMANY

closed-position adjustment



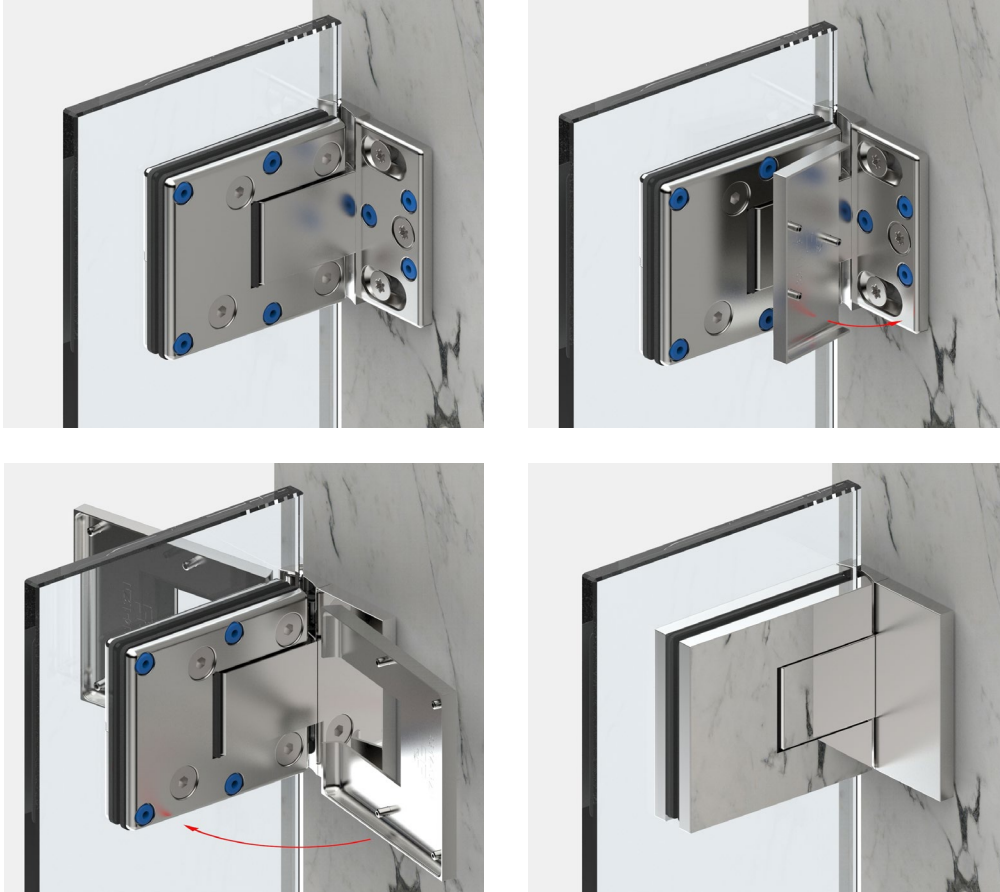
The closed-position of the door hinge can be precisely adjusted from the outside.



Once the door panel has been aligned and all sealing profiles are attached, the closed-position can be set. To do this, the screws of both closed-positions must be tightened alternately to the specified torque and retightened after approx. 15 minutes. This allows the closing point to be set even with unsquare walls. All important information on this can be found in the enclosed installation instructions.

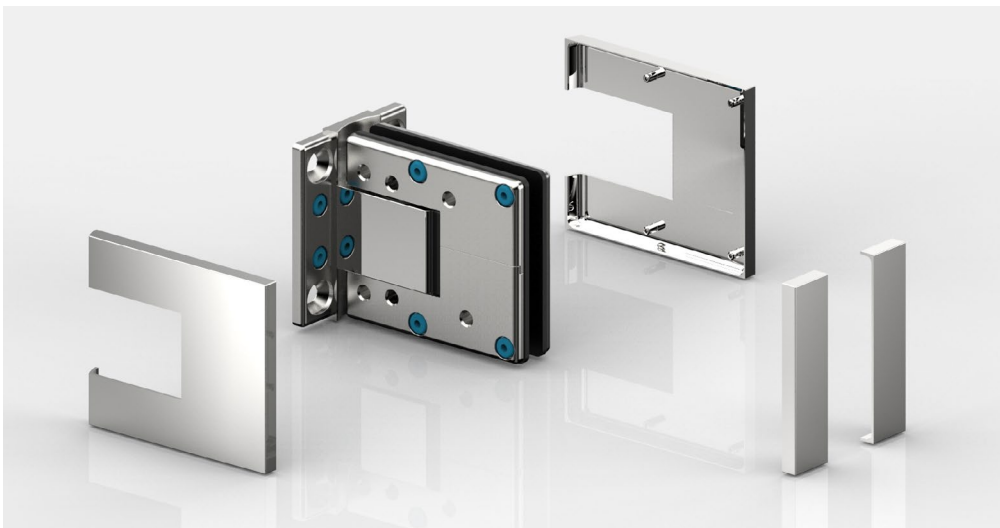
effective and quick installation

cover caps



with easy-to-install cover-plates

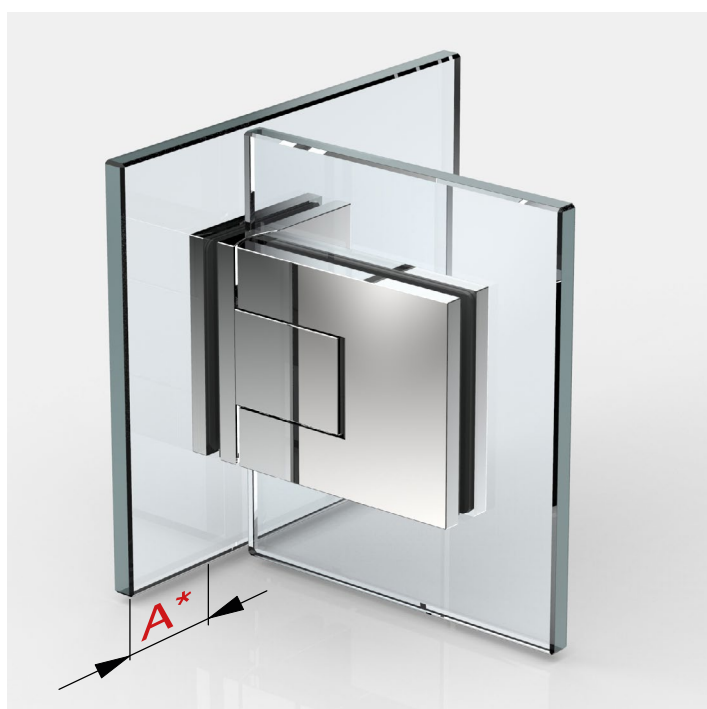
Attach the cover-plates by simply pressing the integrated studs into the pre-assembled EPDM retainer holes.



effective and quick installation

MADE
IN
GERMANY

overhang

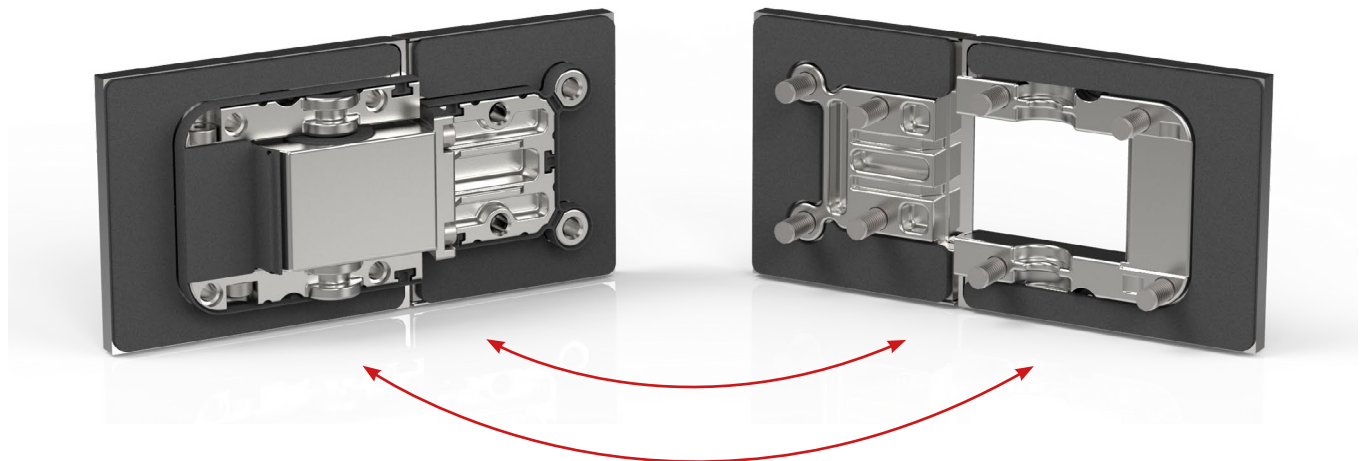


For glass-glass 90°, only drilled holes are required in the side panel, so that the glass door panel is set inwards and the overhang (A) can be determined by the installer.



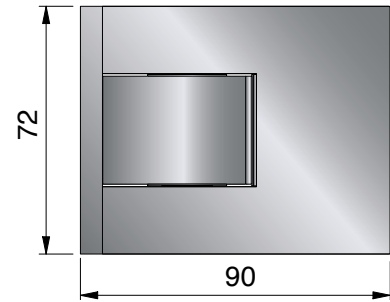
Intelligently designed:

The fitting body and counter plate interlock with each other and are firmly screwed together with 4 screws.



8314ZN glass-wall 90°

MADE
IN
GERMANY



article no	glass thickness
8314__	6*/8/10* mm
finish:	
ZN5	gloss chrome
ZNPVD22**	stainless steel optic
ZN135	deep black matt
ZNPVD39**	gold bronze brushed
ZNPVD40**	gold optic brushed
ZNPVD41**	copper optic brushed
ZNPVD42**	graphite metal optic brushed



features

115° opening in both directions, one-sided mounting bracket, oblong hole, adjustment with cover cap, infinitely adjustable closed-position, self-closing on the last centimetres, sealing profile spaced on the hardware side, Load capacity (2 hinges) 50 kg (max. door panel width 1000 mm)

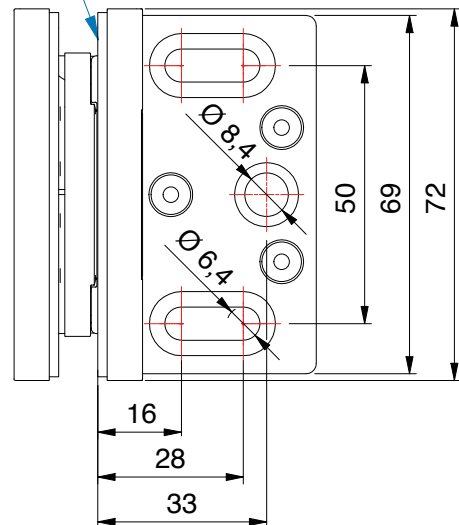
*important

when using the hinges for 6 or 10 mm glass, please order the insert-set art. no. HZ-SETS free of charge.



The 3rd fixing hole prevents the fittings from twisting on the wall. The shower hinge is designed in such a way that this hole can be drilled with an 8 mm drill bit while mounted.

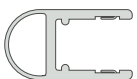
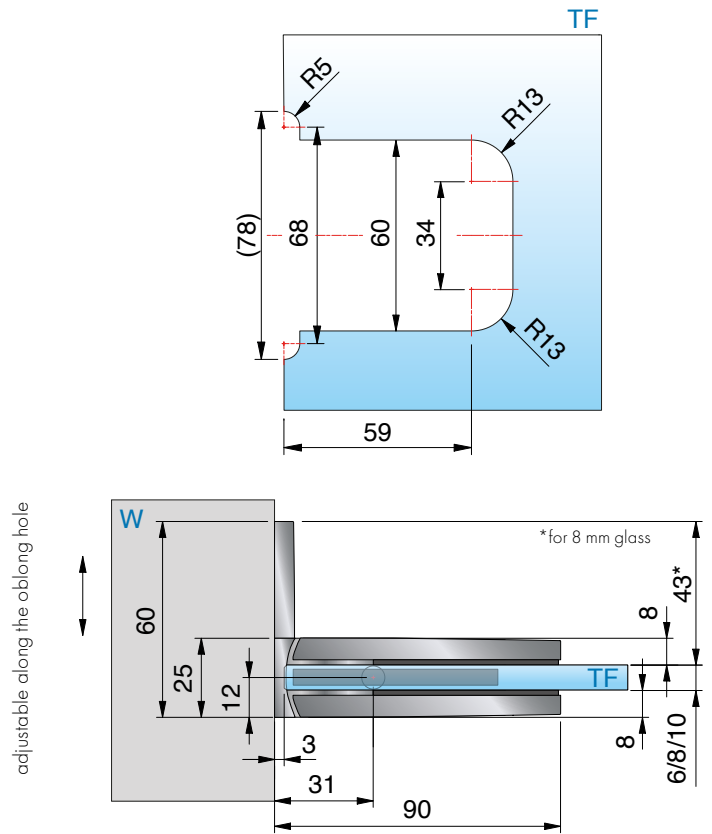
glass reference edge
(inner panel with 8 mm glass)



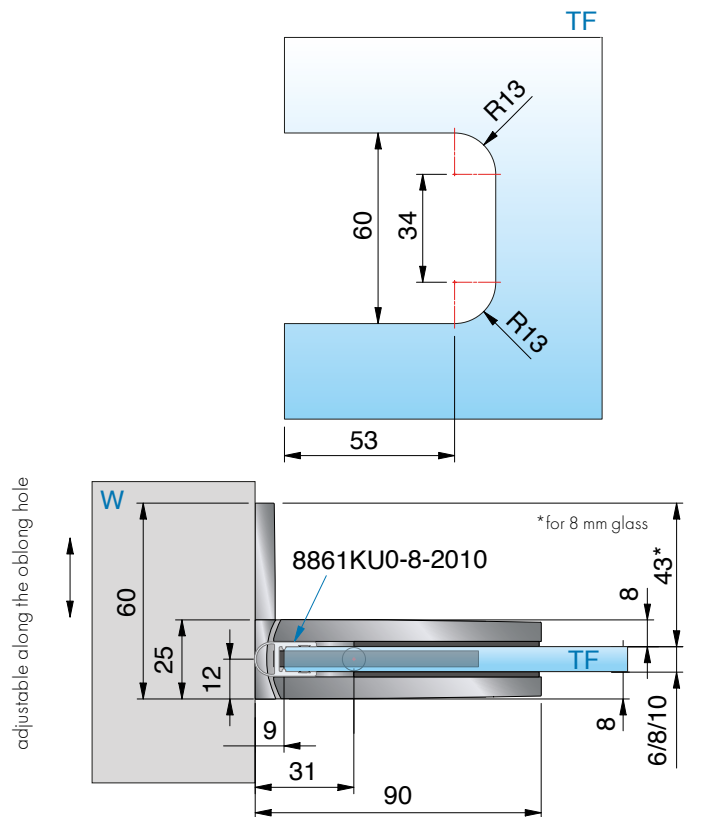
8314ZN glass-wall 90°



without seal profile, for 8 mm glass

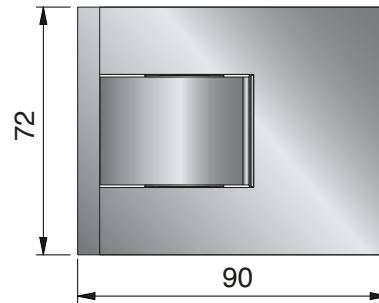


with seal profile 8861KU0-8-2010, for 8 mm glass



8313ZN glass-wall 90°

MADE
IN
GERMANY



article no	glass thickness
8313__	6*/8/10* mm
finish:	
ZN5	gloss chrome
ZNPVD22**	stainless steel optic
ZN135	deep black matt
ZNPVD39**	gold bronze brushed
ZNPVD40**	gold optic brushed
ZNPVD41**	copper optic brushed
ZNPVD42**	graphite metal optic brushed

** in preparation



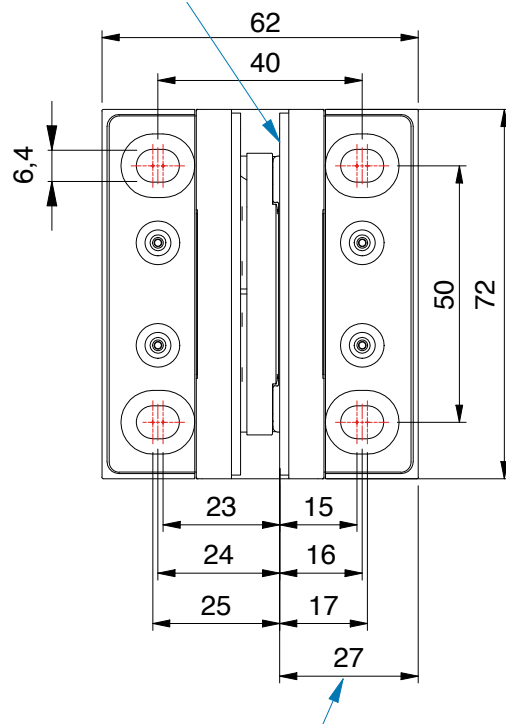
features

115° opening in both directions, one-sided mounting bracket, oblong hole, adjustment with cover cap, infinitely adjustable closed-position, self-closing on the last centimetres, sealing profile spaced on the hardware side, Load capacity (2 hinges) 50 kg (max. door panel width 1000 mm)

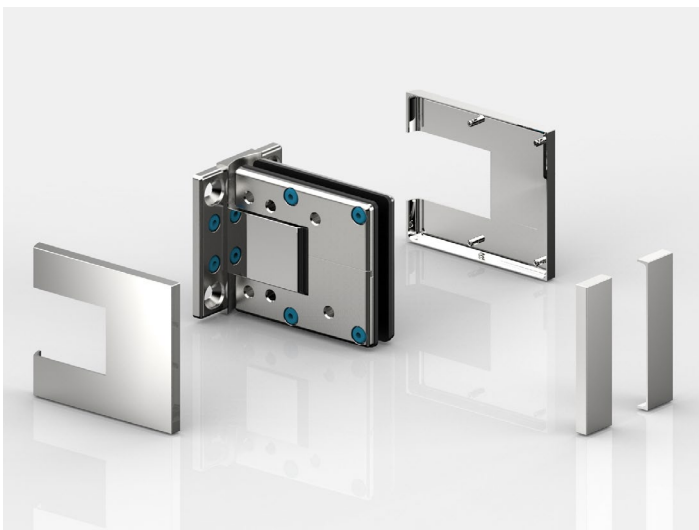
*important

when using the hinges for 6 or 10 mm glass, please order the insert-set art. no. HZ-SET5 free of charge.

Glasbezugs-kante
(Innenseite Glas bei 8 mm Glas)
glass reference edge
(inner panel with 8 mm glass)



Abmessung inkl. Abdeckkappe
dimension incl. cover plate

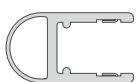
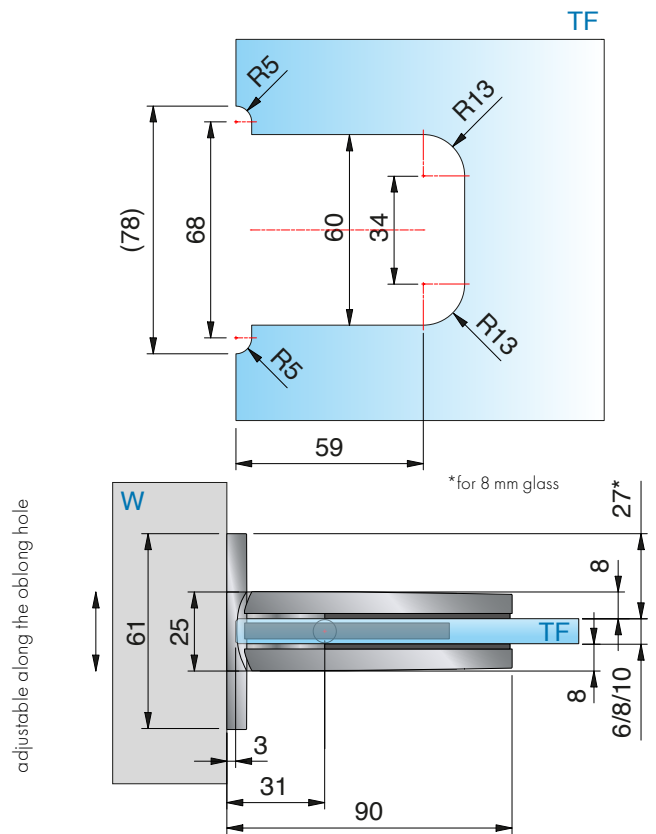


8313ZN glass-wall 90°

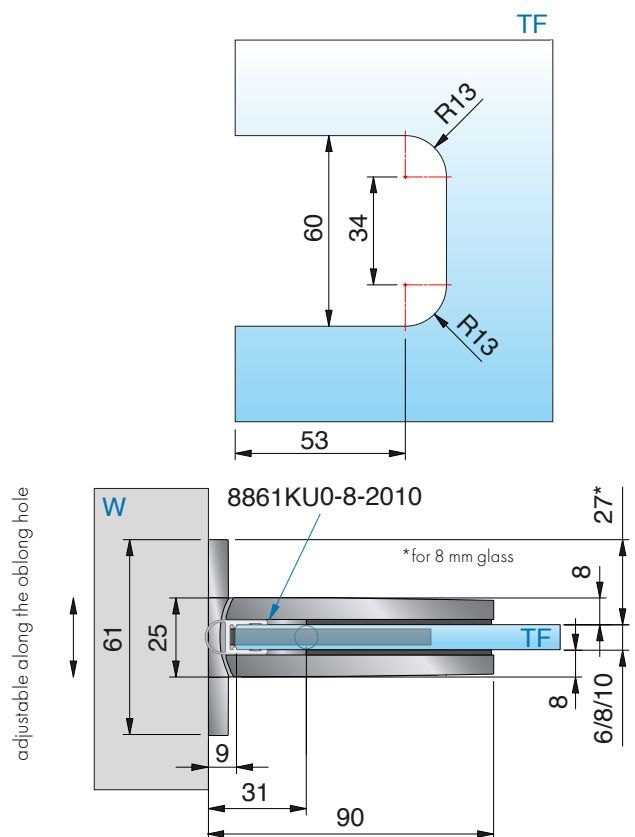
MADE IN GERMANY



without seal profile, for 8 mm glass

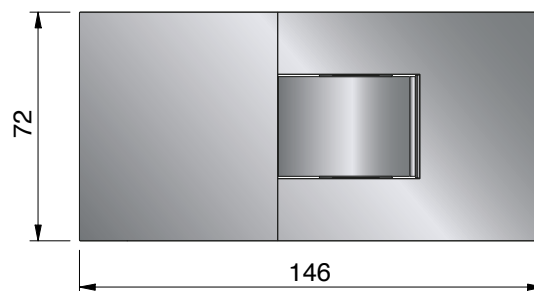


with seal profile 8861KU0-8-2010, for 8 mm glass



8312ZN glass-glass 180°

MADE
IN
GERMANY



article no	glass thickness
8312__	6*/8/10* mm
finish:	
ZN5	gloss chrome
ZNPVD22**	stainless steel optic
ZN135	deep black matt
ZNPVD39**	gold bronze brushed
ZNPVD40**	gold optic brushed
ZNPVD41**	copper optic brushed
ZNPVD42**	graphite metal optic brushed



features

115° opening in both directions, one-sided mounting bracket, oblong hole, adjustment with cover cap, infinitely adjustable closed-position, self-closing on the last centimetres, sealing profile spaced on the hardware side, Load capacity (2 hinges) 50 kg (max. door panel width 1000 mm)

*important

when using the hinges for 6 or 10 mm glass, please order the insert-set art. no. HZ-SETS free of charge.

** in preparation

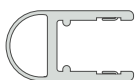
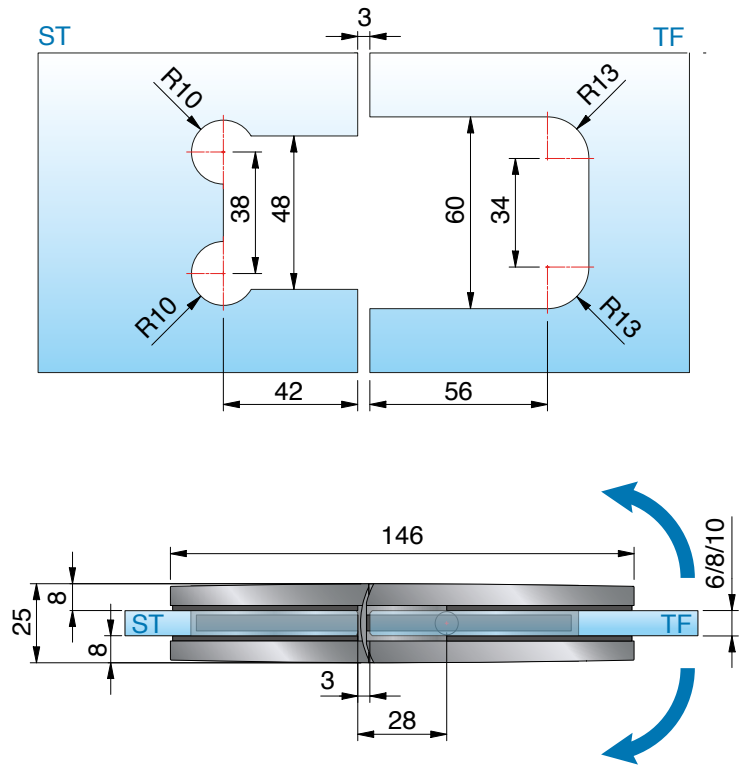


8312ZN glass-glass 180°

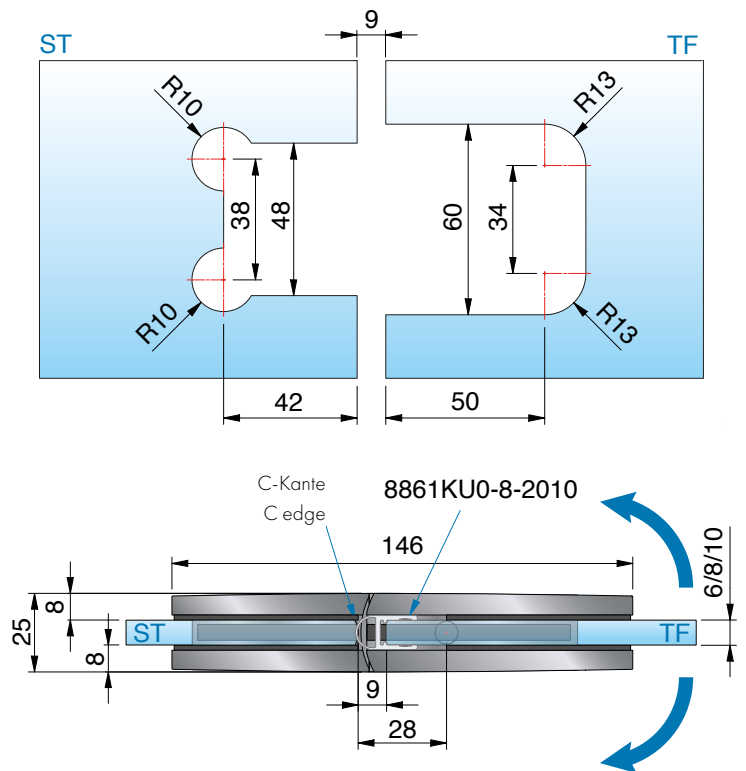
MADE IN GERMANY



without seal profile, for 8 mm glass

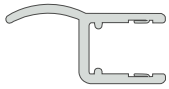


with seal profile 8861KU0-8-2010, for 8 mm glass

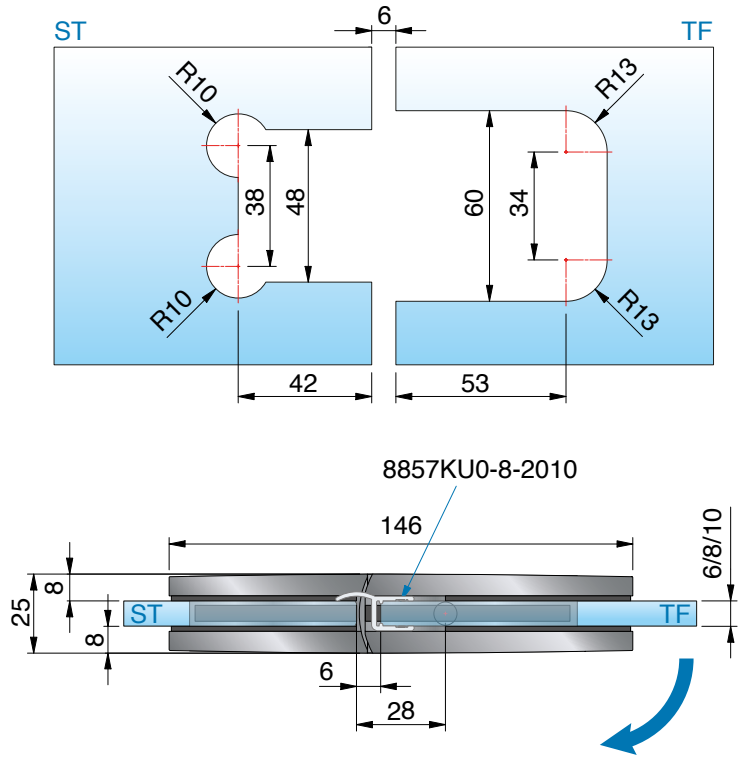


8312ZN glass-glass 180°

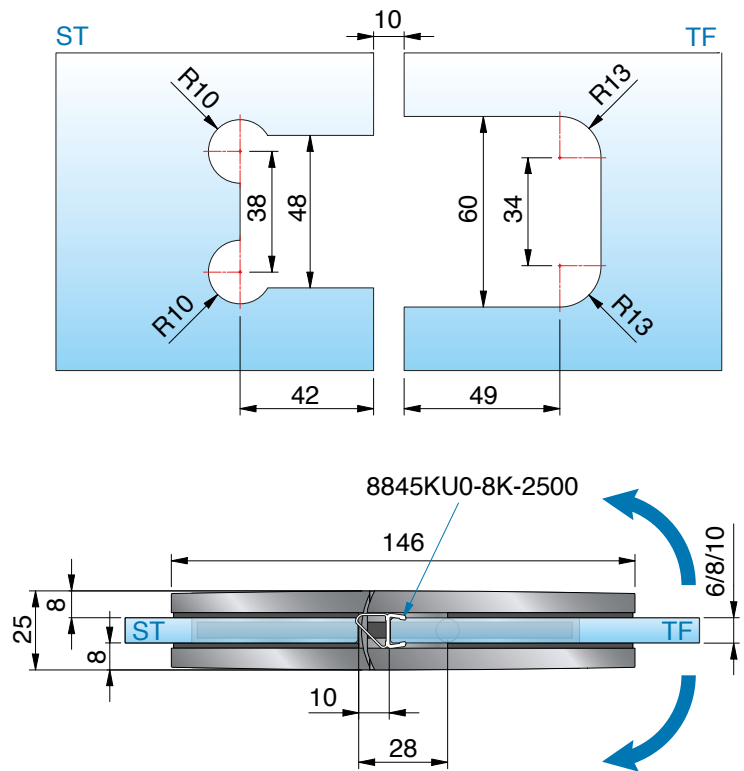
MADE
IN
GERMANY



with seal profile 8857KU0-8-2010, for 8 mm glass



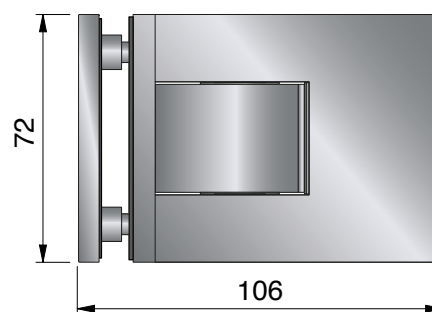
with seal profile 8845KU0-8-2010, for 8 mm glass





8315ZN glass-glass 90°

MADE
IN
GERMANY



article no	glass thickness
8315__	6*/8/10* mm
finish:	
ZN5	glass chrome
ZNPVD22**	stainless steel optic
ZN135	deep black matt
ZNPVD39**	gold bronze brushed
ZNPVD40**	gold optic brushed
ZNPVD41**	copper optic brushed
ZNPVD42**	graphite metal optic brushed



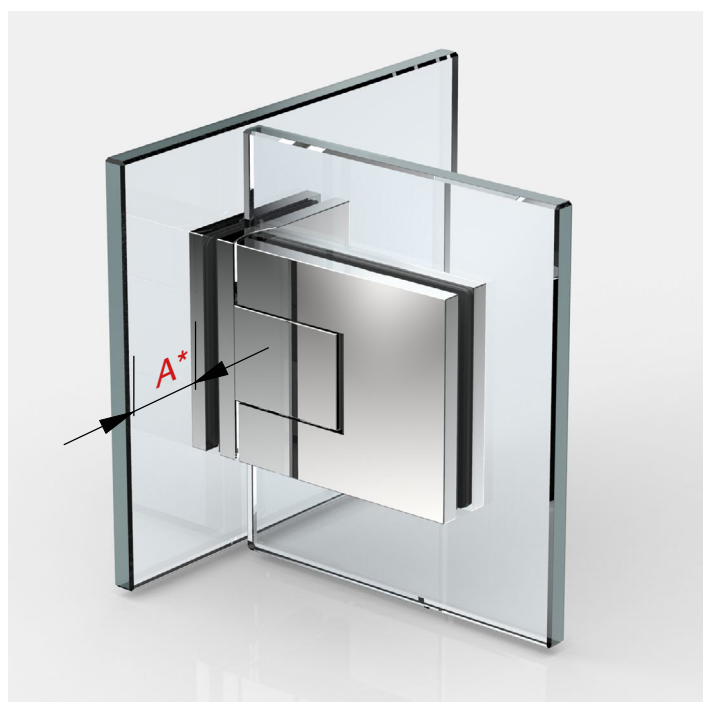
features

115° opening in both directions, one-sided mounting bracket, oblong hole, adjustment with cover cap, infinitely adjustable closed-position, self-closing on the last centimetres, sealing profile spaced on the hardware side, Load capacity (2 hinges) 50 kg (max. door panel width 1000 mm)

*important

when using the hinges for 6 or 10 mm glass, please order the insert-set art. no. HZ-SET5 free of charge.

** in preparation



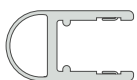
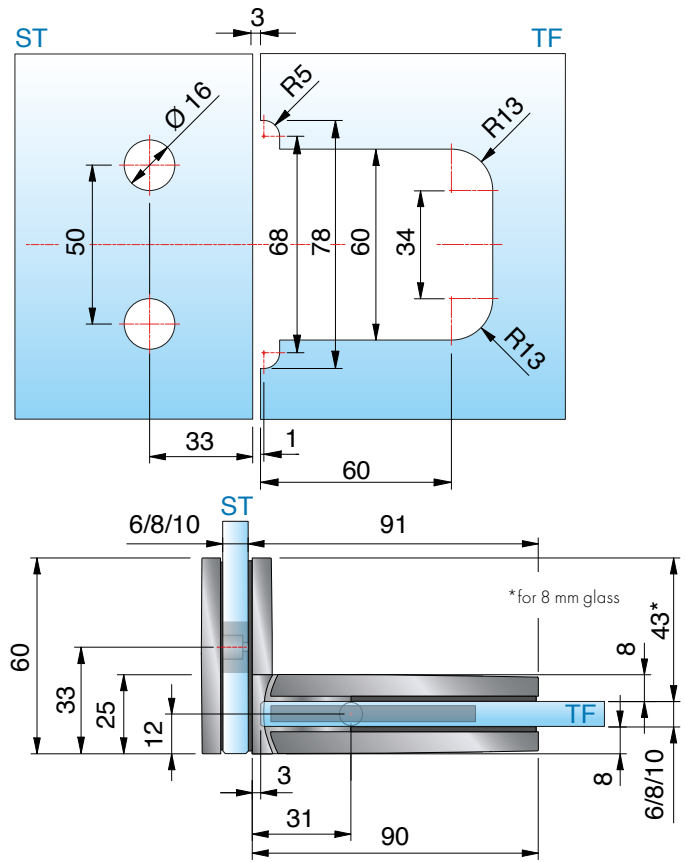
For glass-glass 90°, only drilled holes are required in the side panel, so that the glass door panel is set inwards and the overhang (A) can be determined by the installer.

8315ZN glass-glass 90°

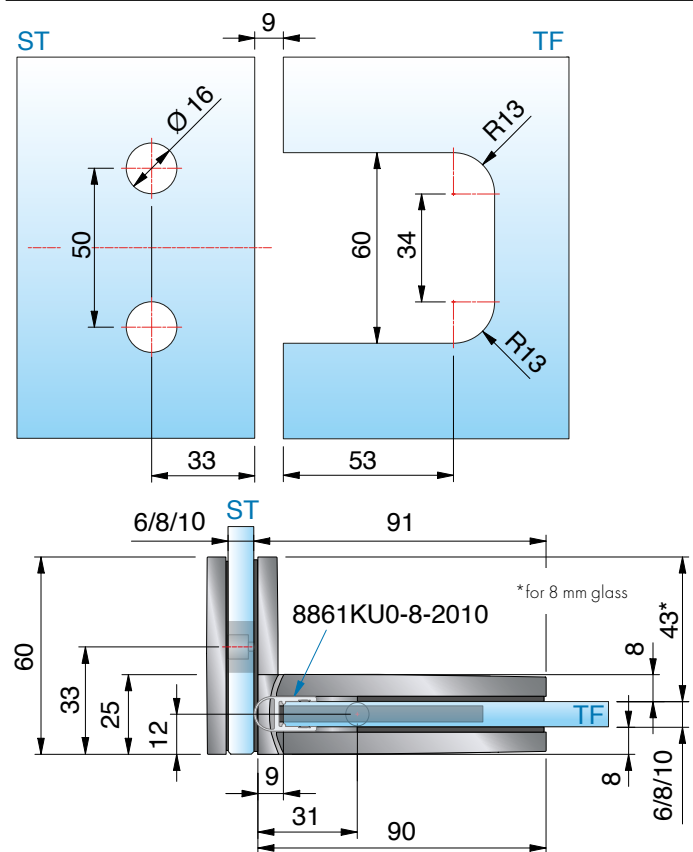
MADE IN GERMANY



without seal profile, for 8 mm glass

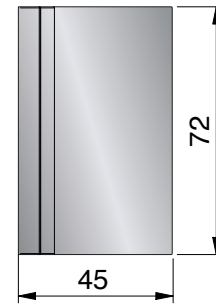


with seal profile 8861KU0-8-2010, for 8 mm glass



8316ZN glass-wall 90° – fixed

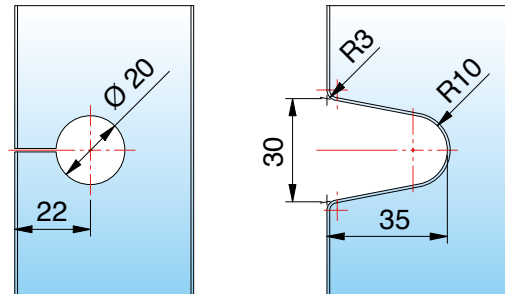
MADE
IN
GERMANY



hole dimension \varnothing 20 mm or edge recess R35

article no	glass thickness
8316__	6/8/10 mm
finish:	
ZN5	gloss chrome
ZNPVD22**	stainless steel optic
ZN135	deep black matt
ZNPVD39**	gold bronze brushed
ZNPVD40**	gold optic brushed
ZNPVD41**	copper optic brushed
ZNPVD42**	graphite metal optic brushed

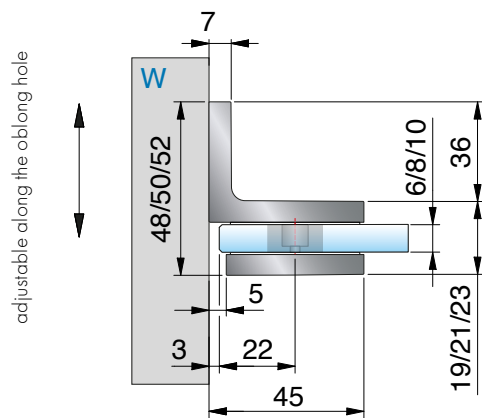
** in preparation



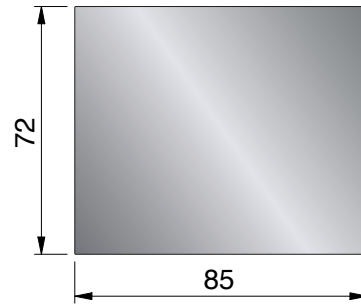
glass processing for 6/8/10 mm

features

wall bracket adjustable along the oblong hole



8318ZN glass-wall 180° – fixed

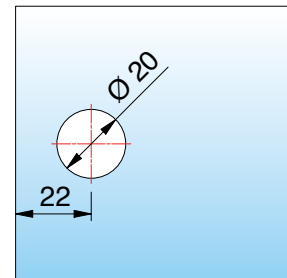


hole dimension \varnothing 20 mm

article no	glass thickness
8318__	6/8/10 mm
finish:	
ZN5	gloss chrome
ZNPVD22**	stainless steel optic
ZN135	deep black matt
ZNPVD39**	gold bronze brushed
ZNPVD40**	gold optic brushed
ZNPVD41**	copper optic brushed
ZNPVD42**	graphite metal optic brushed
** in preparation	



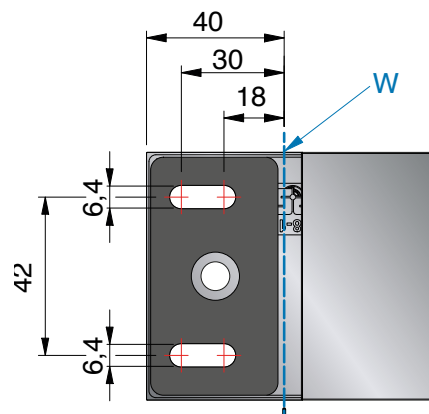
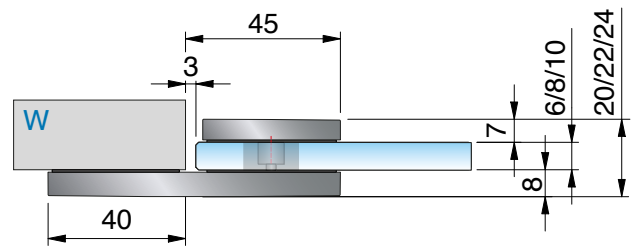
ST



glass processing for 6/8/10 mm

features

wall bracket adjustable along the oblong hole



8317ZN glass-glass 90°

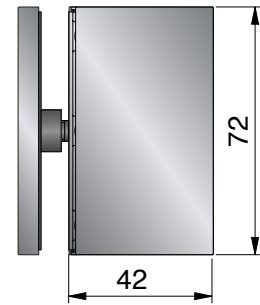
MADE
IN
GERMANY



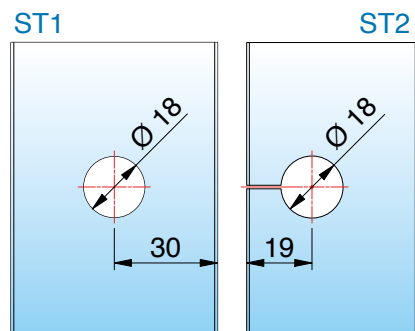
article no	glass thickness
8317__	6/8/10 mm
finish:	
ZN5	glass chrome
ZNPVD22**	stainless steel optic
ZN135	deep black matt
ZNPVD39**	gold bronze brushed
ZNPVD40**	gold optic brushed
ZNPVD41**	copper optic brushed
ZNPVD42**	graphite metal optic brushed



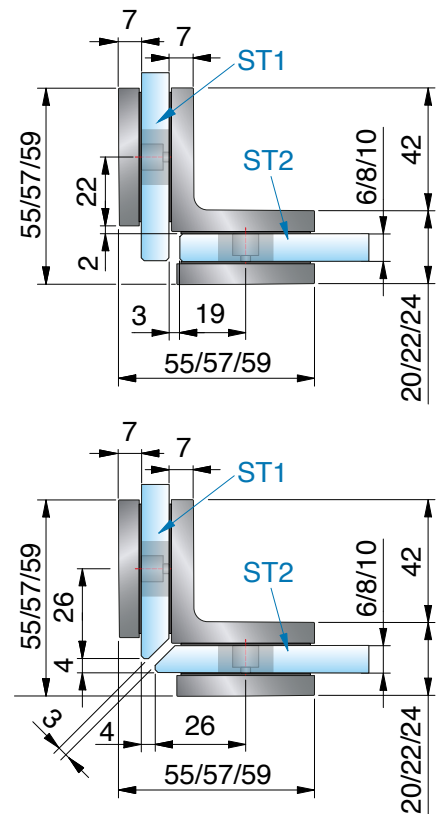
** in preparation



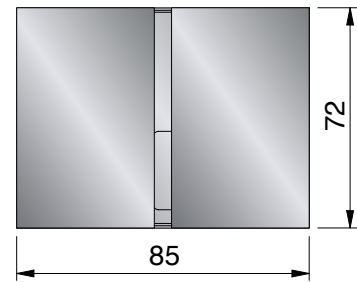
hole dimensions \varnothing 20 mm



glass processing for 6/8/10 mm



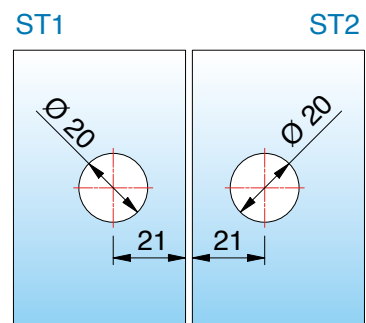
8319ZN glass-glass 180°



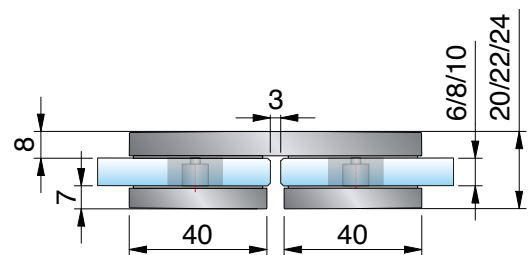
hole dimensions $\varnothing 20$ mm

article no	glass thickness
8319__	6*/8/10* mm
finish:	
ZN5	gloss chrome
ZNPVD22**	stainless steel optic
ZN135	deep black matt
ZNPVD39 **	gold bronze brushed
ZNPVD40 **	gold optic brushed
ZNPVD41**	copper optic brushed
ZNPVD42**	graphite metal optic brushed

** in preparation



glass processing for 6/8/10 mm



stabilizing angle bracket glass-wall 180 mm

MADE
IN
GERMANY

niche showers



niche showers



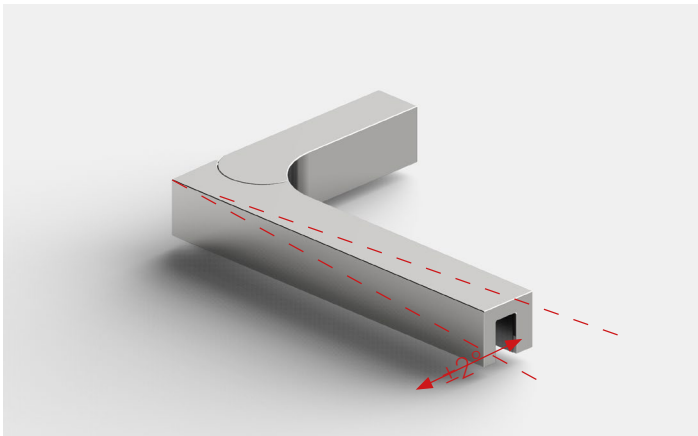
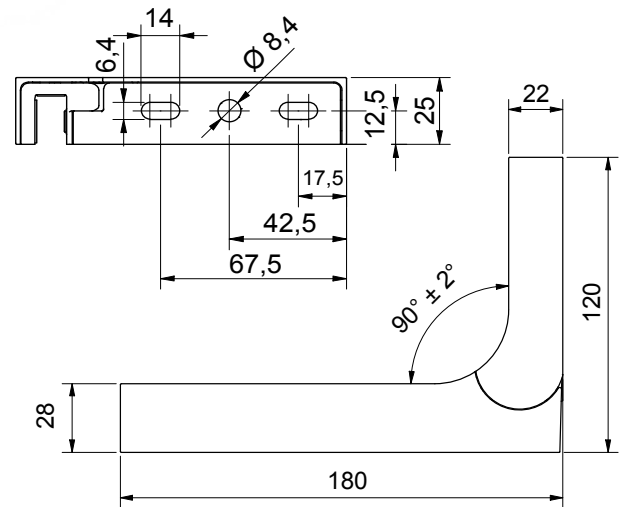
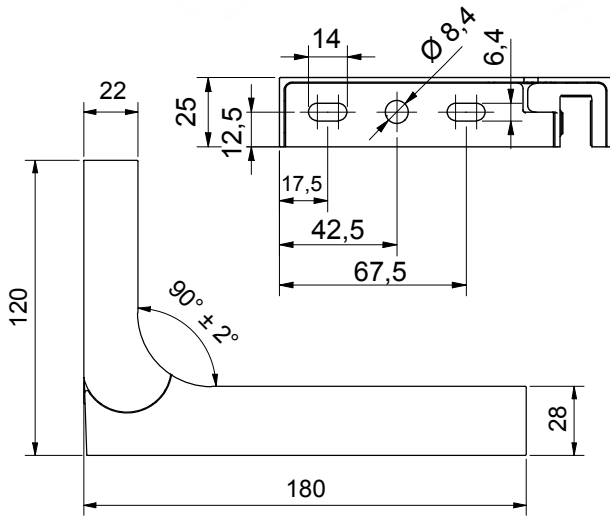
corner showers



pentagonal showers



bathtubs



stabilizing angle bracket

article no	glass thickness
8439_L-180	6 - 10 mm

finish:

ZN5	gloss chrome
ZNPVD22	stainless steel optic
ZN135**	deep black matt
ZNPVD39**	gold bronze brushed
ZNPVD40**	gold optic brushed
ZNPVD41**	copper optic brushed
ZNPVD42**	graphite metal optic brushed

** in preparation

stabilizing angle bracket

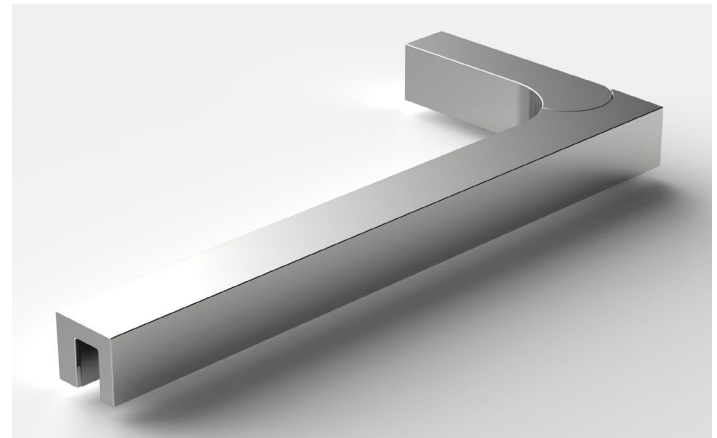
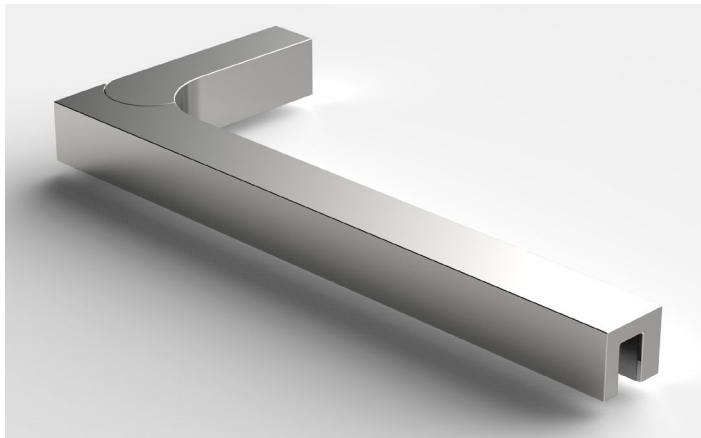
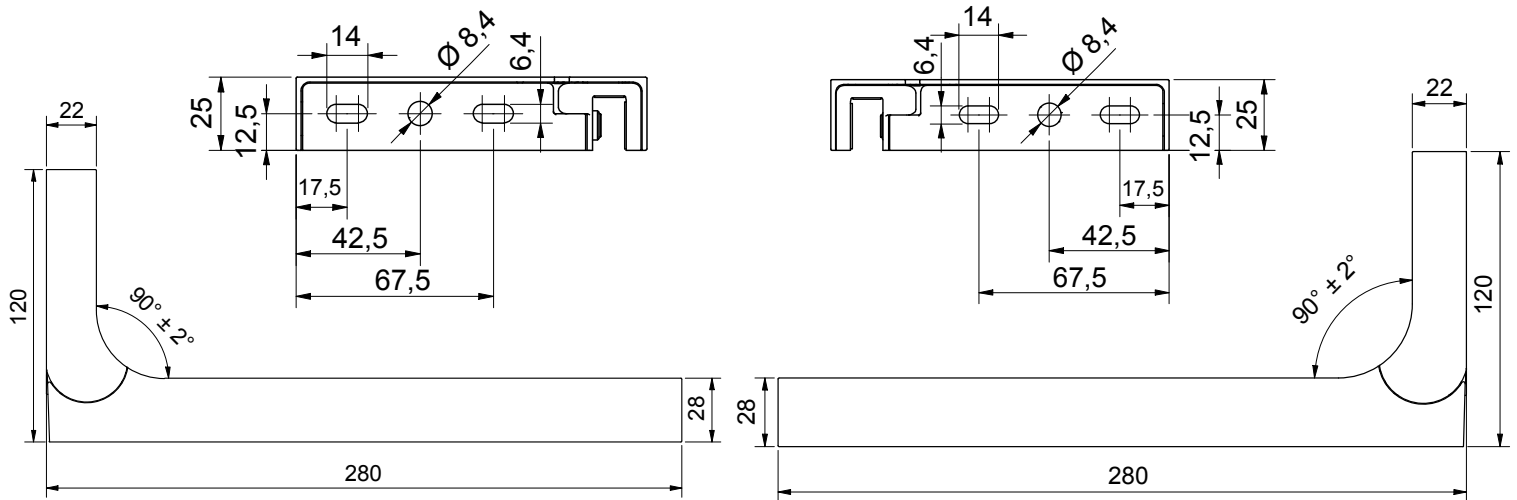
article no	glass thickness
8439_R-180	6 - 10 mm

finish:

ZN5	gloss chrome
ZNPVD22	stainless steel optic
ZN135**	deep black matt
ZNPVD39**	gold bronze brushed
ZNPVD40**	gold optic brushed
ZNPVD41**	copper optic brushed
ZNPVD42**	graphite metal optic brushed

** in preparation

stabilizing angle bracket glass-wall 280 mm



stabilizing angle bracket

article no	glass thickness
------------	-----------------

8439_L-280	6 - 10 mm
------------	-----------

finish:	
---------	--

ZN5	gloss chrome
ZNPVD22	stainless steel optic
ZN135**	deep black matt
ZNPVD39**	gold bronze brushed
ZNPVD40**	gold optic brushed
ZNPVD41**	copper optic brushed
ZNPVD42**	graphite metal optic brushed

** in preparation

stabilizing angle bracket

article no	glass thickness
------------	-----------------

8439_R-280	6 - 10 mm
------------	-----------

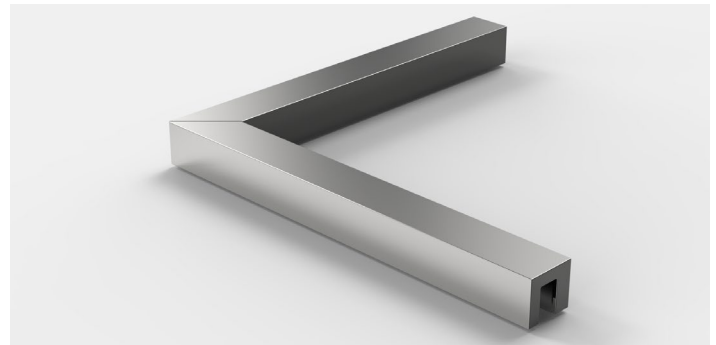
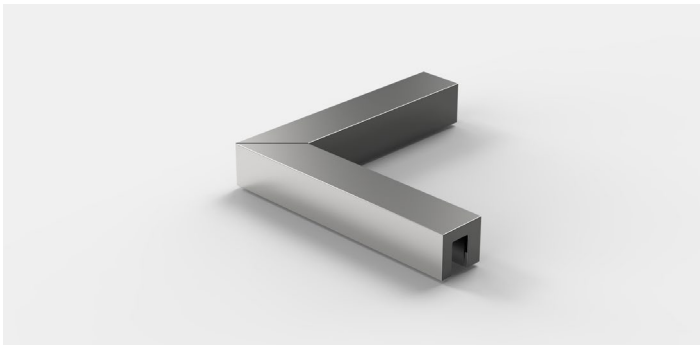
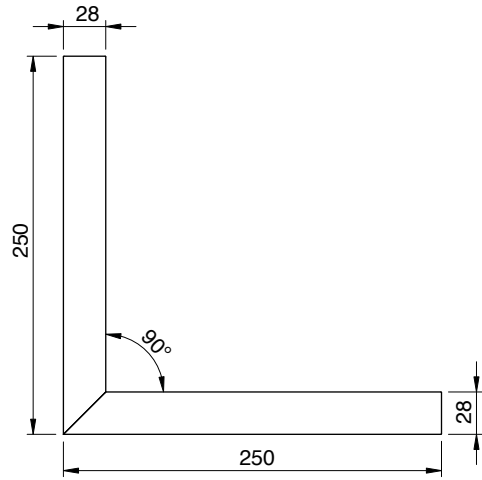
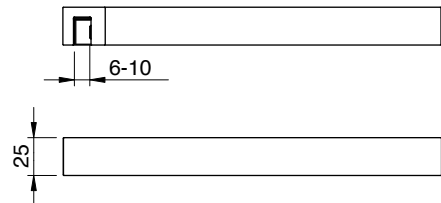
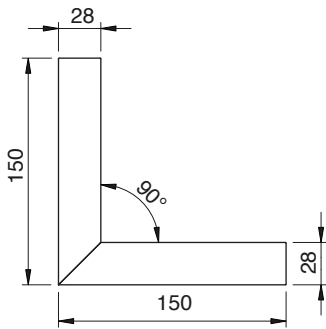
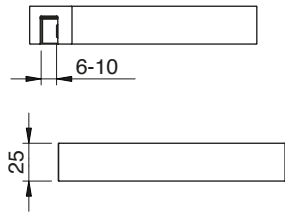
finish:	
---------	--

ZN5	gloss chrome
ZNPVD22	stainless steel optic
ZN135**	deep black matt
ZNPVD39**	gold bronze brushed
ZNPVD40**	gold optic brushed
ZNPVD41**	copper optic brushed
ZNPVD42**	graphite metal optic brushed

** in preparation

stabilizing angle bracket glass-glass

MADE
IN
GERMANY



stabilizing angle bracket

article no	glass thickness
------------	-----------------

8438__-150	6/8/10 mm
------------	-----------

finish:

ZN5	glass chrome
ZNPVD22	stainless steel optic
ZN135**	deep black matt
ZNPVD39**	gold bronze brushed
ZNPVD40**	gold optic brushed
ZNPVD41**	copper optic brushed
ZNPVD42**	graphite metal optic brushed

** in preparation

stabilizing angle bracket

article no	glass thickness
------------	-----------------

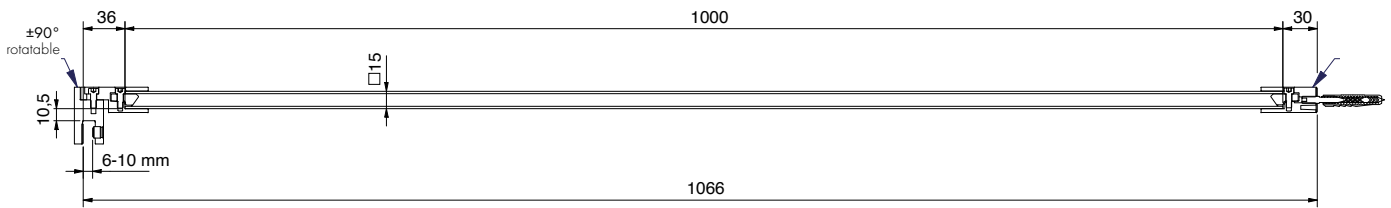
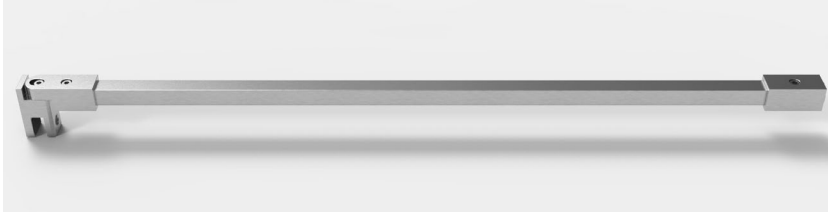
8438__-250	6/8/10 mm
------------	-----------

finish:

ZN5	glass chrome
ZNPVD22	stainless steel optic
ZN135**	deep black matt
ZNPVD39**	gold bronze brushed
ZNPVD40**	gold optic brushed
ZNPVD41**	copper optic brushed
ZNPVD42**	graphite metal optic brushed

** in preparation

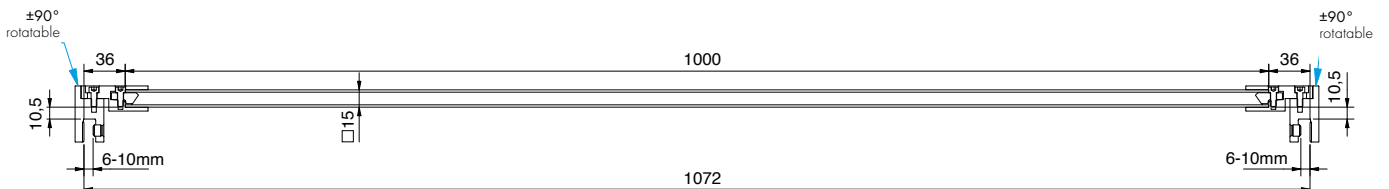
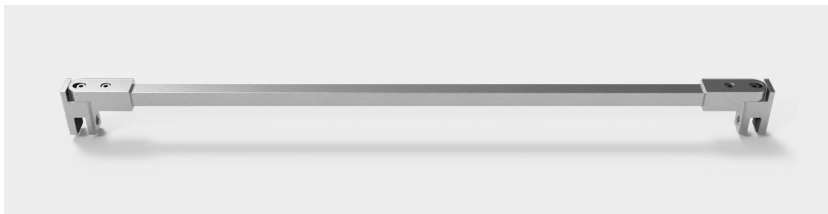
stabilizing bar sets, square



article no	finish	glass thickness	article description
8793ZN5-1000	gloss chrome	6-10 mm	stabilizer-bar set glass-wall
8793ZNPVD22-1000	stainless steel optic		
8793ZN135-1000	deep black matt		
8793ZNPVD39-1000**	gold bronze brushed		
8793ZNPVD40-1000**	gold optic brushed		
8793ZNPVD41-1000**	copper optic brushed		
8793ZNPVD42-1000**	graphite metal optic brushed		



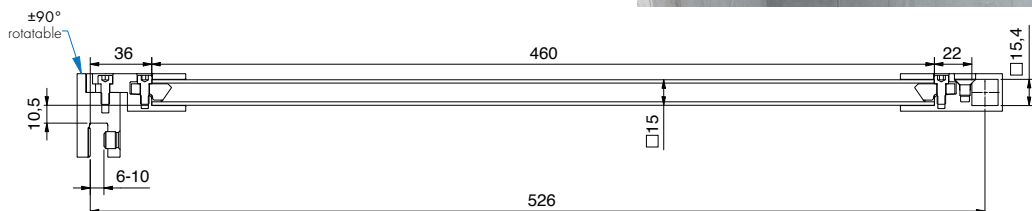
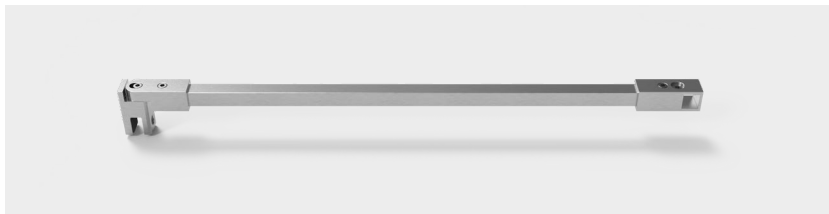
** in preparation



article no	finish	glass thickness	article description
8795ZN5-1000	gloss chrome	6-10 mm	stabilizer-bar set glass-glass
8795ZNPVD22-1000	stainless steel optic		
8795ZN135-1000	deep black matt		
8794ZNPVD39-1000**	gold bronze brushed		
8794ZNPVD40-1000**	gold optic brushed		
8794ZNPVD41-1000**	copper optic brushed		
8794ZNPVD42-1000**	graphite metal optic brushed		



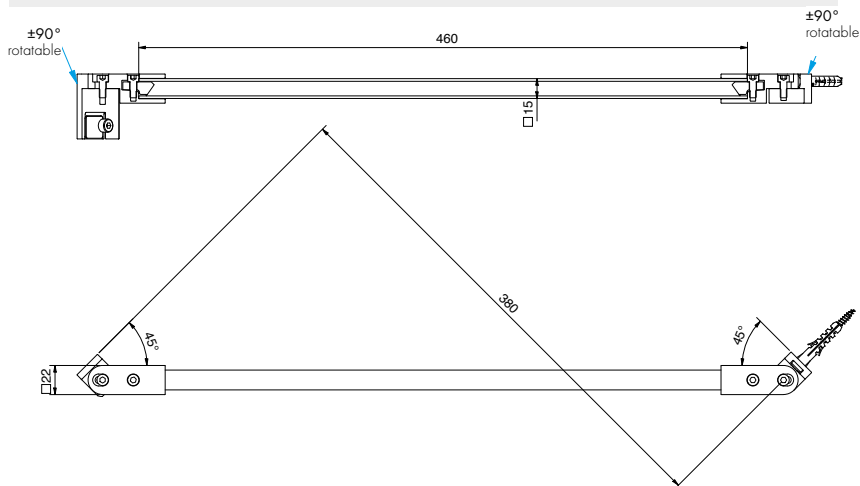
** in preparation



article no	finish	glass thickness	article description
8797ZN5-460	gloss chrome	6-10 mm	stabilizer-bar set glass-T-adapter
8797ZNPVD22-460	stainless steel optic		
8797ZN135-460	deep black matt		
8794ZNPVD39-1000**	gold bronze brushed		
8794ZNPVD40-1000**	gold optic brushed		
8794ZNPVD41-1000**	copper optic brushed		
8794ZNPVD42-1000**	graphite metal optic brushed		



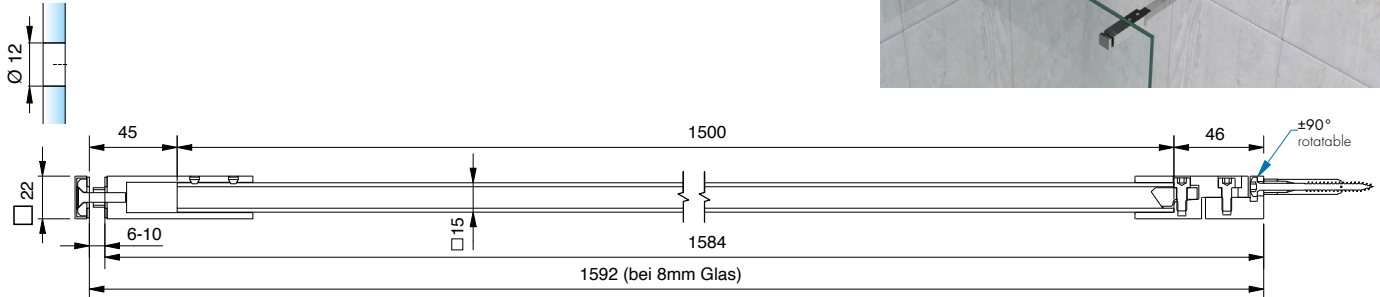
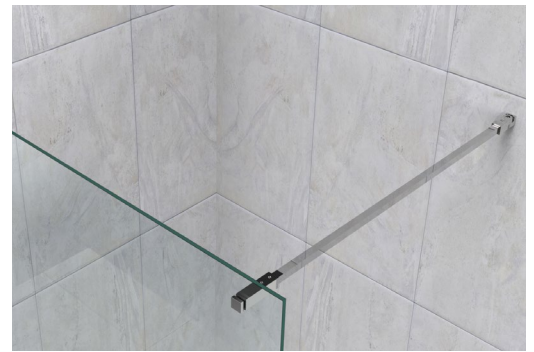
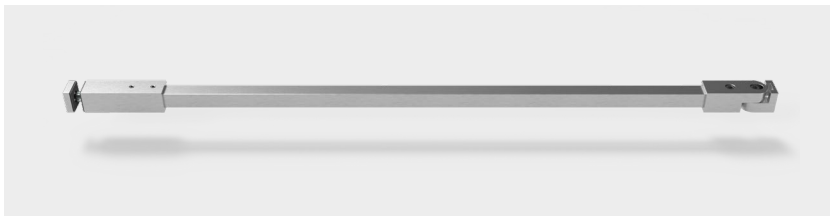
** in preparation



article no	finish	glass thickness	article description
8796ZN5-460	gloss chrome	6-10 mm	stabilizer-bar set glass-wall 45°
8796ZNPVD22-460	stainless steel optic		
8796ZN135-460	deep black matt		
8796ZNPVD39-460**	gold bronze brushed		
8796ZNPVD40-460**	gold optic brushed		
8796ZNPVD41-460**	copper optic brushed		
8797ZNPVD42-460**	graphite metal optic brushed		



** in preparation



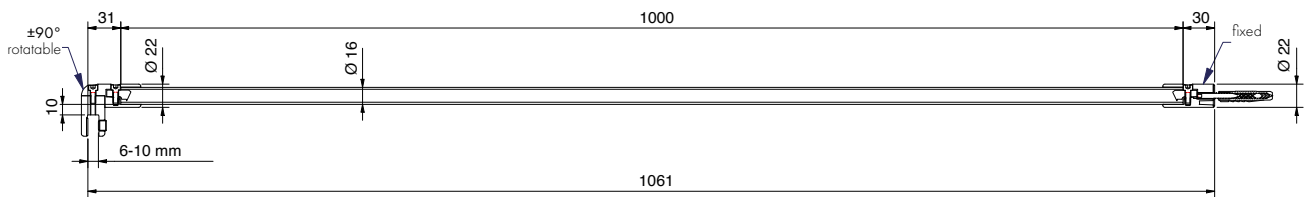
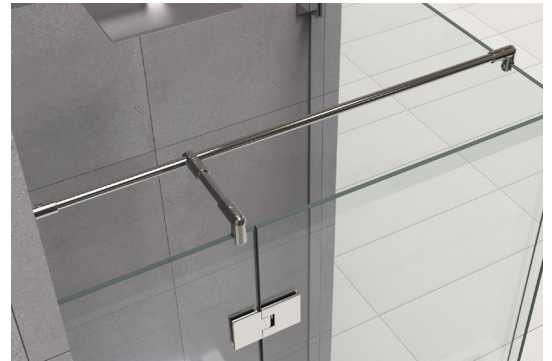
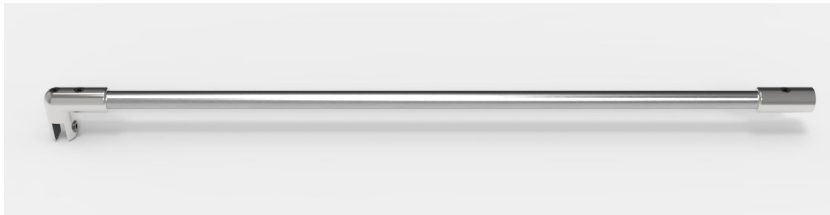
article no	finish	glass thickness	article description
8798ZN5-1500	gloss chrome	6-10 mm	stabilizer-bar set glass-wall
8798ZNPVD22-1500	stainless steel optic		
8798ZN135-1500	deep black matt		
8798ZNPVD39-1500**	gold bronze brushed		
8798ZNPVD40-1500**	gold optic brushed		
8798ZN1-1500**	copper optic brushed		
8798ZNPVD42-1500**	graphite metal optic brushed		



** in preparation

stabilizing bar sets, round

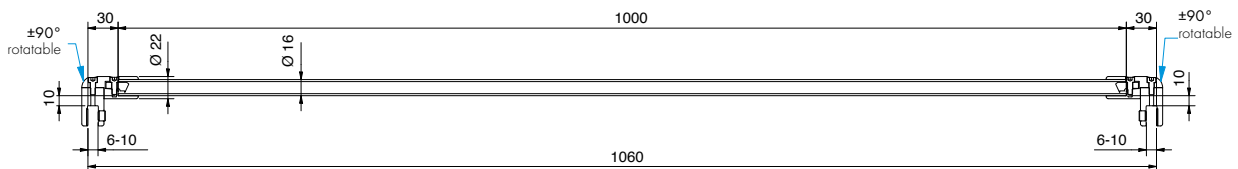
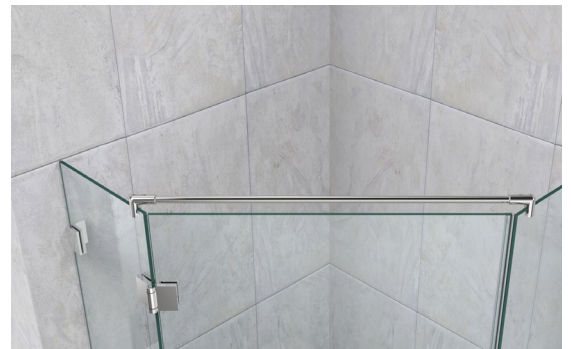
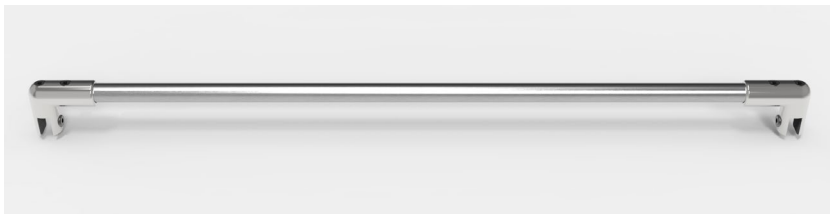
MADE
IN
GERMANY



article no	finish	glass thickness	article description
8743ZN5-1000	gloss chrome	6-10 mm	stabilizer-bar set glass-wall
8743ZNPVD22-1000	stainless steel optic		
8743ZN135-1000	deep black matt		
8743ZNPVD39-1000**	gold bronze brushed		
8743ZNPVD40-1000**	gold optic brushed		
8743ZNPVD41-1000**	copper optic brushed		
8743ZNPVD42-1000**	graphite metal optic brushed		



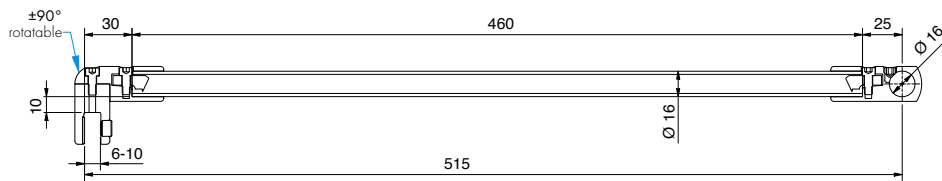
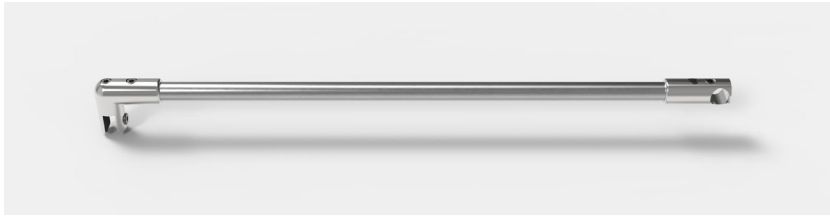
** in preparation



article no	finish	glass thickness	article description
8745ZN5-1000	gloss chrome	6-10 mm	stabilizer-bar set, glass-glass
8745ZNPVD22-1000	stainless steel optic		
8745ZN135-1000	deep black matt		
8745ZNPVD39-1000**	gold bronze brushed		
8745ZNPVD40-1000**	gold optic brushed		
8745ZNPVD41-1000**	copper optic brushed		
8745ZNPVD42-1000**	graphite metal optic brushed		



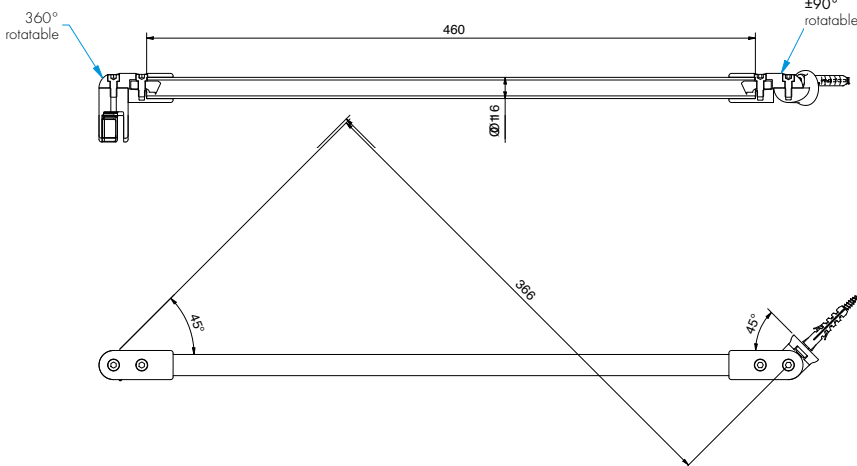
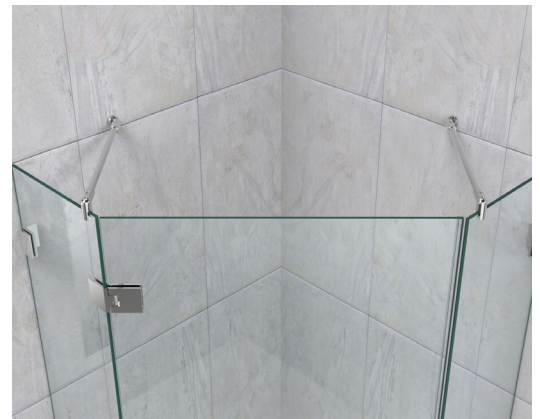
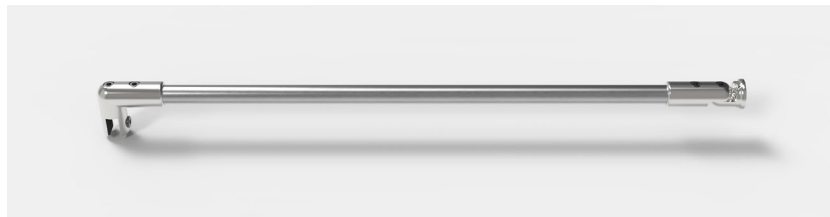
** in preparation



article no	finish	glass thickness	article description
8747ZN5-460	gloss chrome	6-10 mm	stabilizer-bar set glass-T-adapter
8747ZNPVD22-460	stainless steel optic		
8747ZN135-460	deep black matt		
8747ZNPVD39-460**	gold bronze brushed		
8747ZNPVD40-460**	gold optic brushed		
8747ZNPVD41-460**	copper optic brushed		
8747ZNPVD42-460**	graphite metal optic brushed		



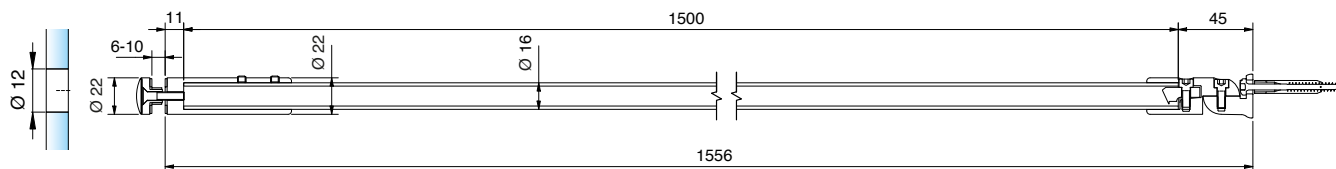
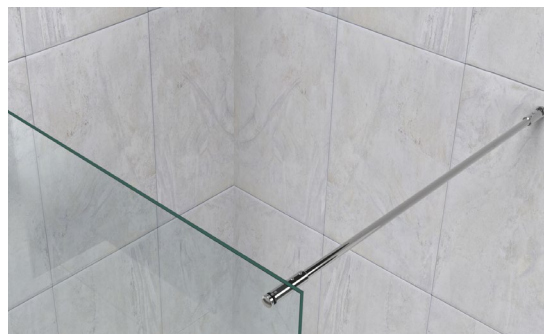
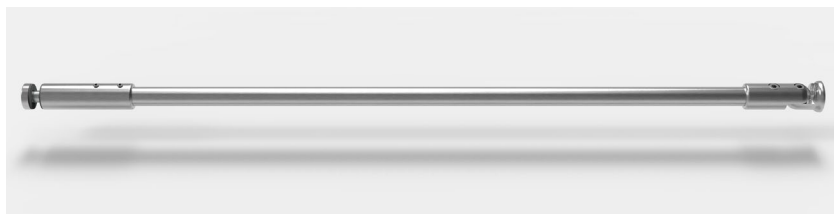
** in preparation



article no	finish	glass thickness	article description
8746ZN5-460	gloss chrome	6-10 mm	stabilizer-bar set glass-wall 45°
8746ZNPVD22-460	stainless steel optic		
8746ZN135-460	deep black matt		
8746ZNPVD39-460**	gold bronze brushed		
8746ZNPVD40-460**	gold optic brushed		
8746ZNPVD41-460**	copper optic brushed		
8746ZNPVD42-460**	graphite metal optic brushed		



** in preparation

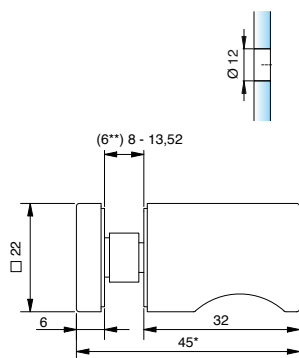


article no	finish	glass thickness	article description
8748ZN5-1500	gloss chrome	6-10 mm	stabilizer-bar set glass-wall
8748ZNPVD22-1500	stainless steel optic		
8748ZN135-1500	deep black matt		
8748ZNPVD39-1500**	gold bronze brushed		
8748ZNPVD40-1500**	gold optic brushed		
8748ZNPVD41-1500**	copper optic brushed		
8748ZNPVD42-1500**	graphite metal optic brushed		



** in preparation

glass door knobs



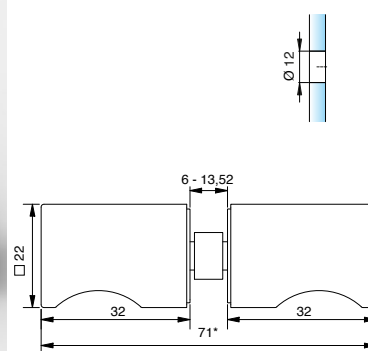
glass door knob one sided

article no	glass thickness
8692_	6 - 13,52 mm

finish:

ZN5	glass chrome
ZNPVD22	stainless steel optic
ZN135	deep black matt
ZNPVD39**	gold bronze brushed
ZNPVD40**	gold optic brushed
ZNPVD41**	copper optic brushed
ZNPVD42**	graphite metal optic brushed

** in preparation



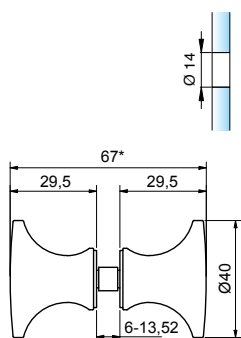
glass door knob double sided

article no	glass thickness
8691_	6 - 13,52 mm

finish:

ZN5	glass chrome
ZNPVD22	stainless steel optic
ZN135	deep black matt
ZNPVD39**	gold bronze brushed
ZNPVD40**	gold optic brushed
ZNPVD41**	copper optic brushed
ZNPVD42**	graphite metal optic brushed

** in preparation



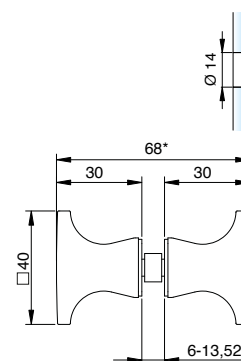
glass door knob one sided, with rubber stop

article no	glass thickness
8236_	6 - 13,52 mm

finish:

ZN5	glass chrome
ZNPVD22	stainless steel optic
ZN135**	deep black matt
ZNPVD39**	gold bronze brushed
ZNPVD40**	gold optic brushed
ZNPVD41**	copper optic brushed
ZNPVD42**	graphite metal optic brushed

** in preparation



glass door knob double sided, with rubber stop

article no	glass thickness
8237_	6 - 13,52 mm

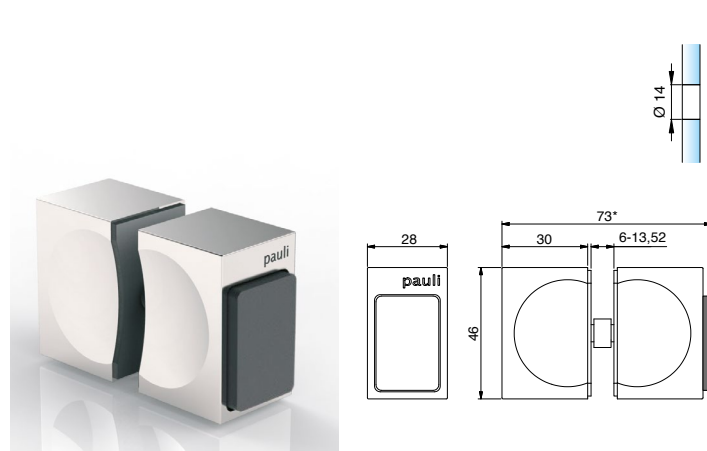
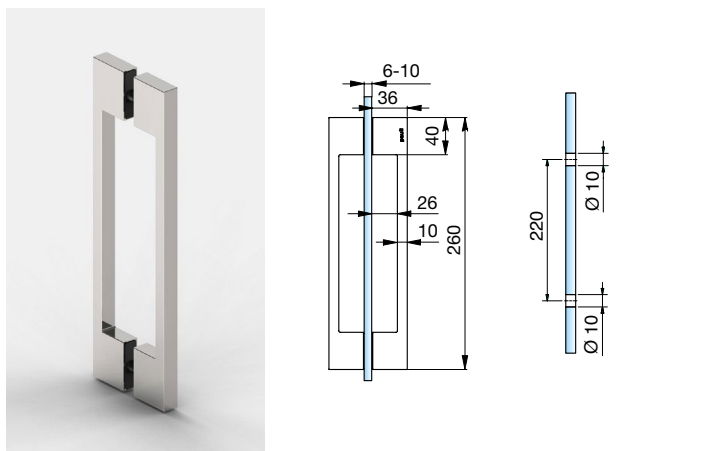
finish:

ZN5	glass chrome
ZNPVD22	stainless steel optic
ZN135**	deep black matt
ZNPVD39**	gold bronze brushed
ZNPVD40**	gold optic brushed
ZNPVD41**	copper optic brushed
ZNPVD42**	graphite metal optic brushed

** in preparation

glass door knobs

MADE
IN
GERMANY



glass door handle double sided	
article no	glass thickness
8277_	6 - 10 mm
finish:	
ZN5-A	gloss chrome
ZNPVD22-A	stainless steel optic
ZN135-A	deep black matt
ZNPVD39**	gold bronze brushed
ZNPVD40**	gold optic brushed
ZNPVD41**	copper optic brushed
ZNPVD42**	graphite metal optic brushed
** in preparation	

glass door knob double sided, with rubber stop	
article no	glass thickness
8273_	6 - 13,52 mm
finish:	
ZN5	gloss chrome
ZNPVD22	stainless steel optic
ZN135	deep black matt
ZNPVD39**	gold bronze brushed
ZNPVD40**	gold optic brushed
ZNPVD41**	copper optic brushed
ZNPVD42**	graphite metal optic brushed
** in preparation	

announcement: new surfaces

Further standard surfaces are in preparation and can be installed with PONTERE+ in the near future:



ZNPVD39
gold bronze brushed



ZNPVD41
copper optic brushed

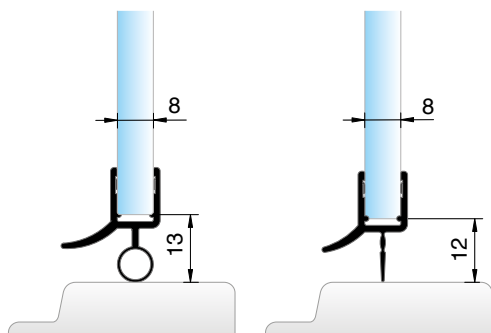


ZNPVD40
gold optic brushed



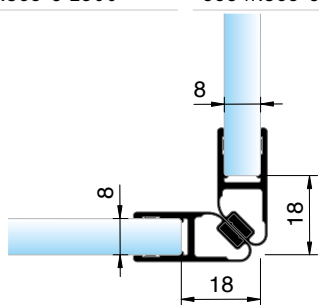
ZNPVD42
graphite metal optic brushed

black seal profile

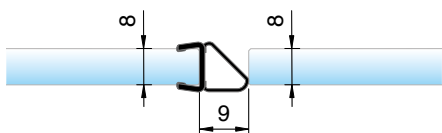


art. no.
8863KU35-8-2500

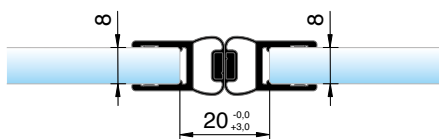
art. no.
8864KU35-8-2500



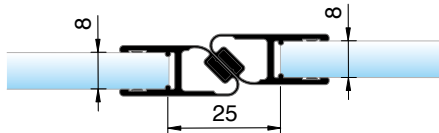
art. no.
8851KU35-8-2500



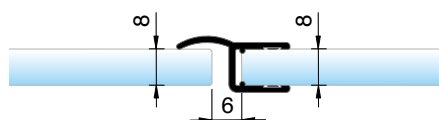
art. no.
8845KU35-8K-2500



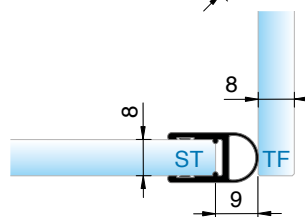
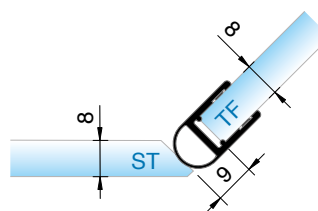
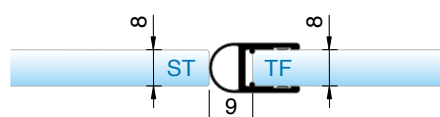
art. no.
8850KU35-8-2500



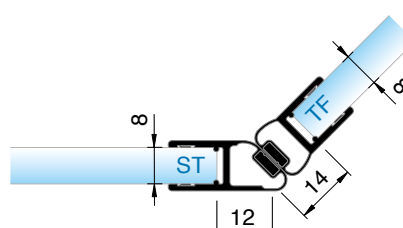
art. no.
8852KU35-8-2500



art. no.
8857KU35-8-2500



art. no.
8861KU35-8-2500



art. no.
8875KU35-8-2500

FARDELLO

expressively and intelligently designed



High load-bearing capacity for modern bathroom architecture

The FARDELLO shower swing door hinge is characterised by high load capacity and compact dimensions. With a height of only 56 mm, two hinges carry a maximum load of 42 kg. This is made possible by the intelligent construction of the fitting: counter plate and hinge bodies interlock and create a firm screwed connection. This provides more safety. In combination with FLINTER, various folding door systems are possible.

- load capacity (2 hinges):
 - max. permissible weight: 42 kg
 - max. door panel width: 1000 mm
 - glass thickness: 6/8/10 mm
- swing door hinge: glass-wall / glass-glass
- matching corner brackets
- optimized for installation without sealing profiles
- minimized gaps
- adjustable closed position
- hinge height 56 mm (like FLAMEA and FLINTER swing door hinge)
- areas of application:
 - wellness area, barrier-free bathrooms, commercial projects

innovative cover-plates system!

Simply press on the cover caps, making installation quick and easy.

technical features

MADE
IN
GERMANY

NEW



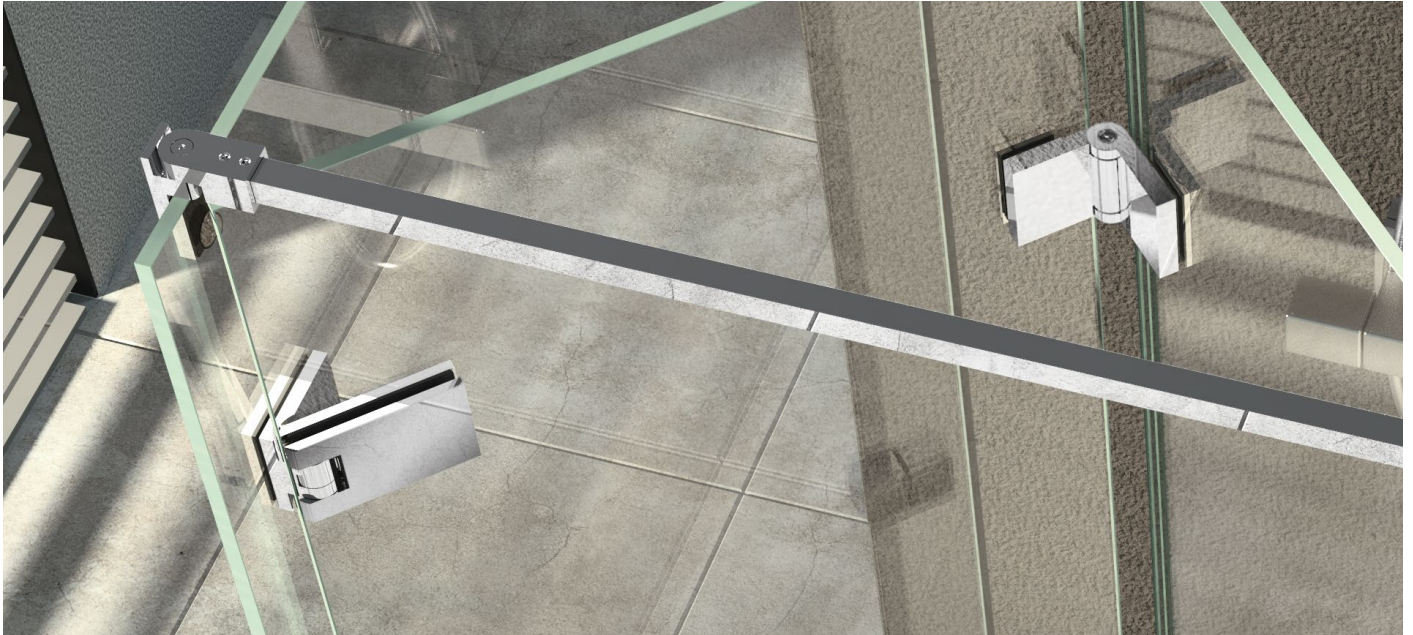
with easy-to-install cover-plates

Attach the cover-plates by simply pressing the integrated studs into the pre-assembled EPDM retainer holes.

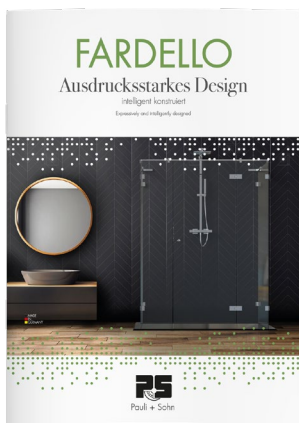
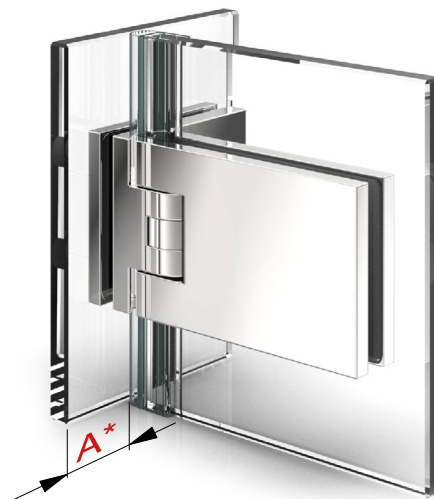


The 7.5 mm thick wall mounting plate provides better load transfer and the 3rd fixing hole prevents the fittings from twisting on the wall. The shower hinge is designed in such a way that this hole can be drilled with an 8 mm drill bit while mounted.

technical features



For glass-glass 90°, only drilled holes are required in the side panel, so that the glass door panel is set inwards and the overhang (A) can be determined by the installer.



FARDELLO - brochure



FLAMEA+

LINEA



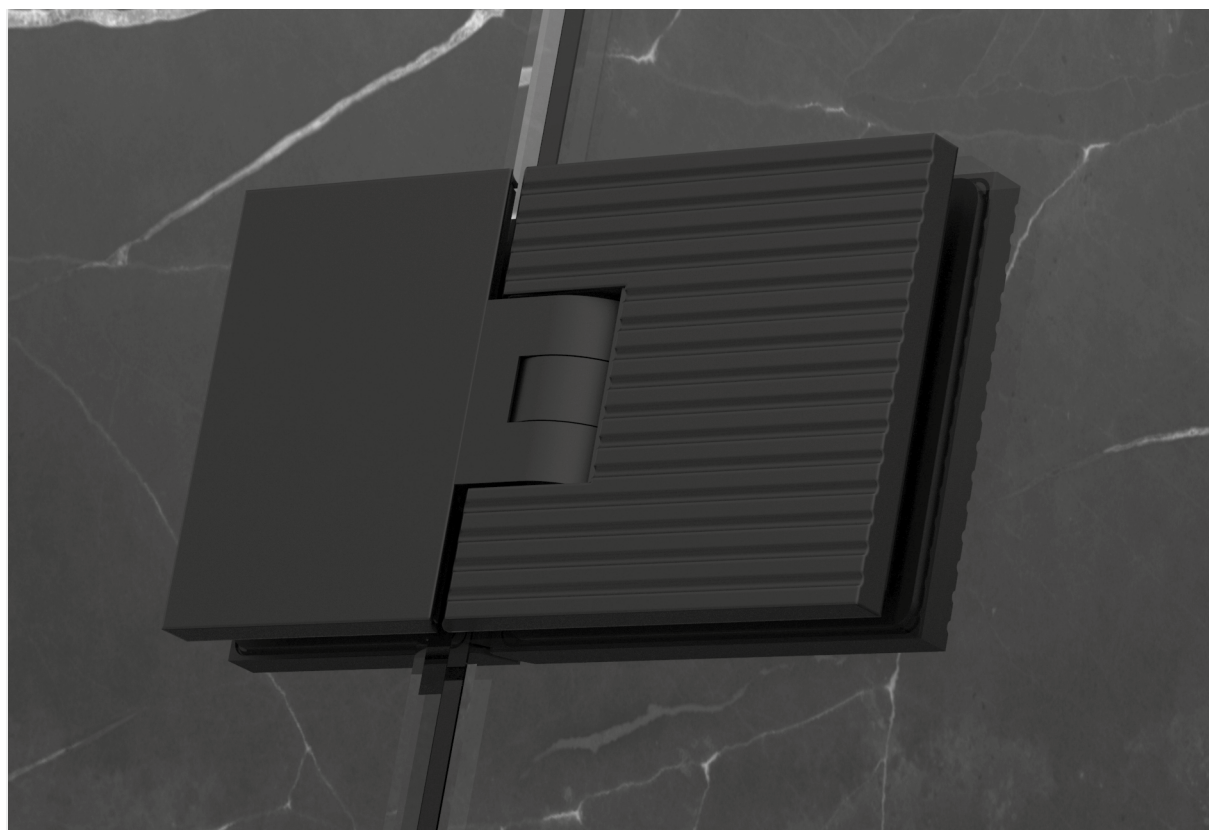
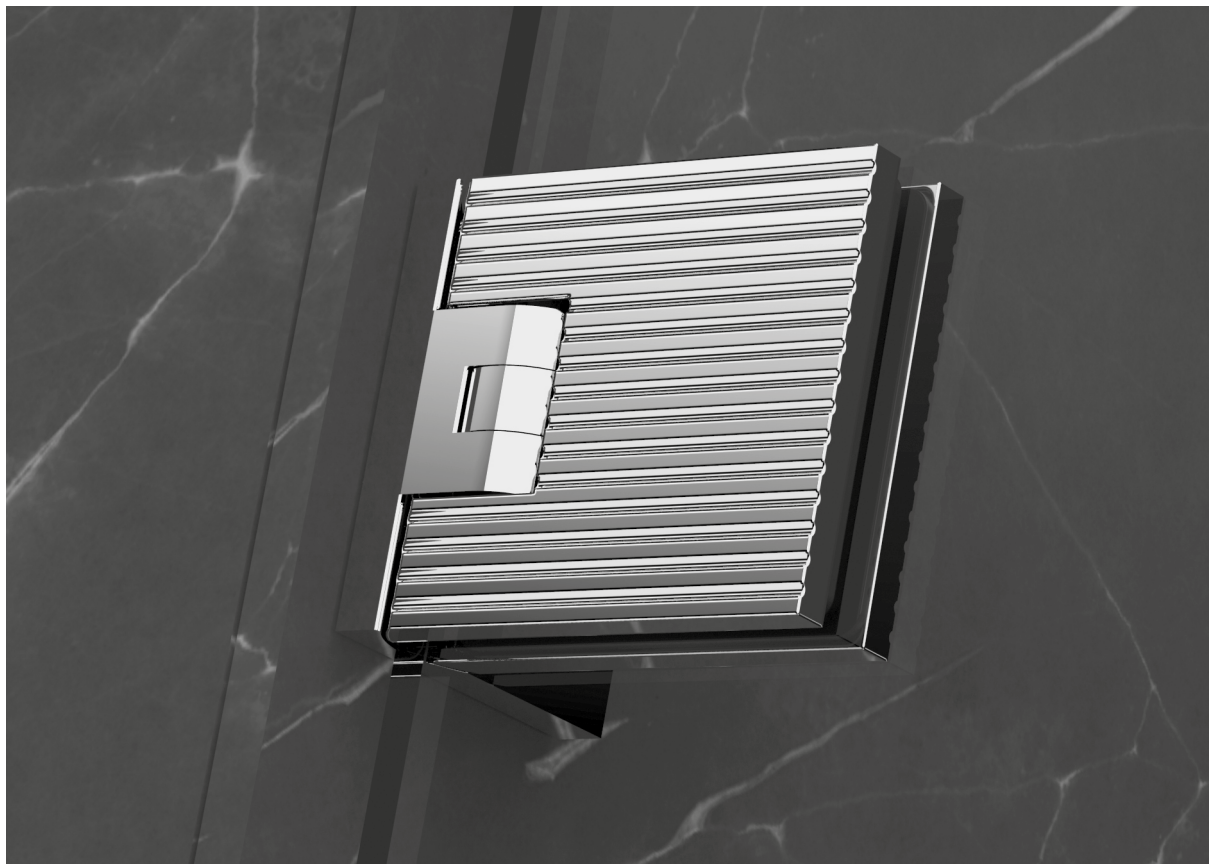
timeless linear aesthetics and a perfect elegance

The FLAMEA+ series was developed for showers of the top class. the optimum installation situation: glass showers in XL-format. FLAMEA+ meets all aesthetic and functional requirements for projects and private homes.

The new version with the elegant relief structure gives this hinge a Timeless linear Aesthetics and perfect elegance.

- 90° shower swing door hinge
- self-closing during the last 15 - 20°
- centered pivot-point, therefore usage as swing door possible
- fully adjustable closed position
- loading capacity (2 hinges): 45 kg
corresponding to a glass door with the dimension 900 x 2000 mm
and a glass thickness of 10 mm
- optimized for installation without sealing profile
- concealed screws
- minimized gap distance
- the durability of the hardware has been tested internally according to DIN EN 14428:2015 5.5.
- for glass-glass 90°, only drilled holes are required in the side panel, so that the glass door panel is set inwards and the overhang (A) can be determined by the installer.
- the higher loading capacity allows generous and fascinating glass-situations

NEU - FLAMEA+ LINEA | NEW - FLAMEA+ LINEA



NEU - FLAMEA+ LINEA | NEU - FLAMEA+ LINEA



swing door hinge 90° glass-wall

article no.

8130ZN5M1

8130ZN135M1



swing door hinge 90° glass-wall

article no.

8134ZN5M1

8134ZN135M1



swing door hinge 180° glass-glass

article no.

8132ZN5M1

8132ZN135M1

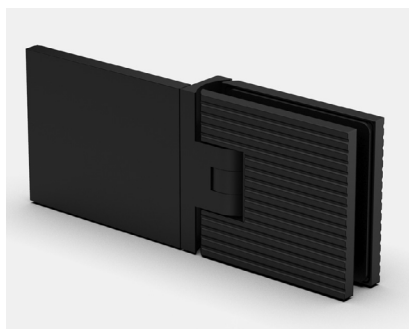
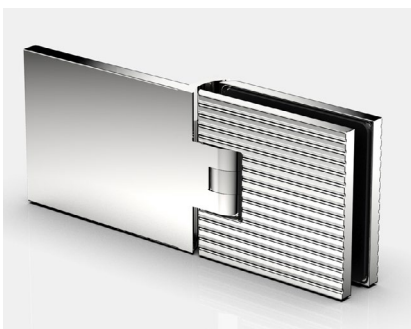


swing door hinge 135° glass-glass

article no.

8131ZN5M1

8131ZN135M1



swing door hinge 180° glass-wall

article no.

8133ZN5M1

8133ZN135M1

NEW - FLAMEA+ LINEA

MADE
IN
GERMANY



corner bracket glass-wall

article no.

8194ZN5M1

8194ZN135M1



corner bracket glass-wall, adjustable 60-100°

article no.

8199ZN5M1

8199ZN135M1



corner bracket 180° glass-wall

article no.

8193ZN5M1

8193ZN135M1



corner bracket glass-glass

article no.

8196ZN5M1

8196ZN135M1



corner bracket glass-glass, adjustable 100-135°

article no.

8198ZN5M1

8198ZN135M1



glass door knob one sided



article no.

8692ZN5M1

8692ZN135M1



glass door knob double sided



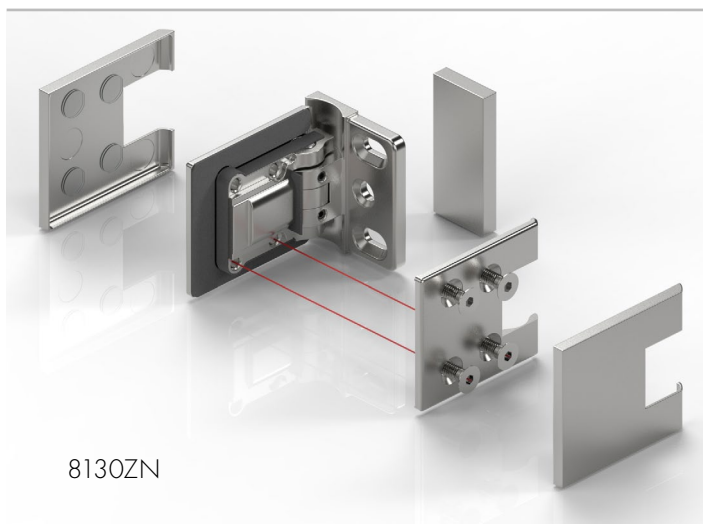
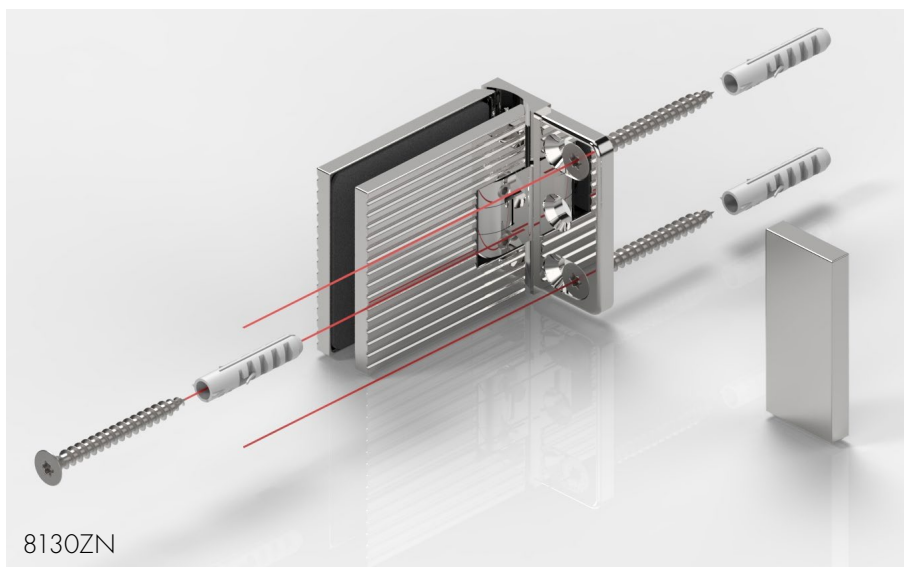
article no.

8691ZN5M1

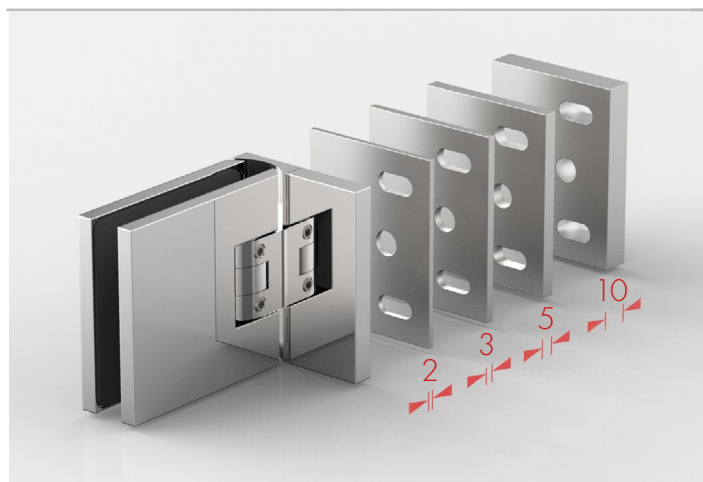
8691ZN135M1

technical **informations**

- stable and strong plate for wall-connection
- concealed screws



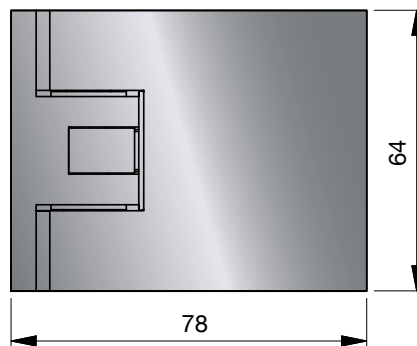
- four fastening screws for a powerful connection



- shim plates in thicknesses 2/3/5/10 mm

8130ZN glass-wall 90°

MADE
IN
GERMANY



article no	glass thickness
8130__	6*/8/10* mm
finish:	
ZN5	gloss chrome
ZN1	matt chrome
ZNPVD10	gloss nickel
ZNPVD22	stainless steel optic
ZNPVD20	gold optic
ZNPVD35	black matt
ZN135	deep black matt
ZN134	white matt



features

opens 90° inwards or outwards, double sided mounting plate,, with or without seal profile, concealed screws, wall mounting inside with oblong hole, closed position adjustable
shim plates in thicknesses 2/3/5/10 mm can be found on page 38.

*important

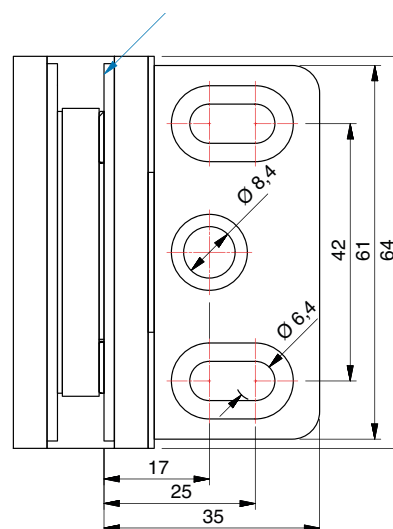
when using the hinges for 6 or 10 mm glass, please order the insert-set art. no. HZ-SET3 free of charge.



article no	glass thickness
8130__M1	6*/8/10* mm
finish:	
ZN5	gloss chrome
ZN135	deep black matt

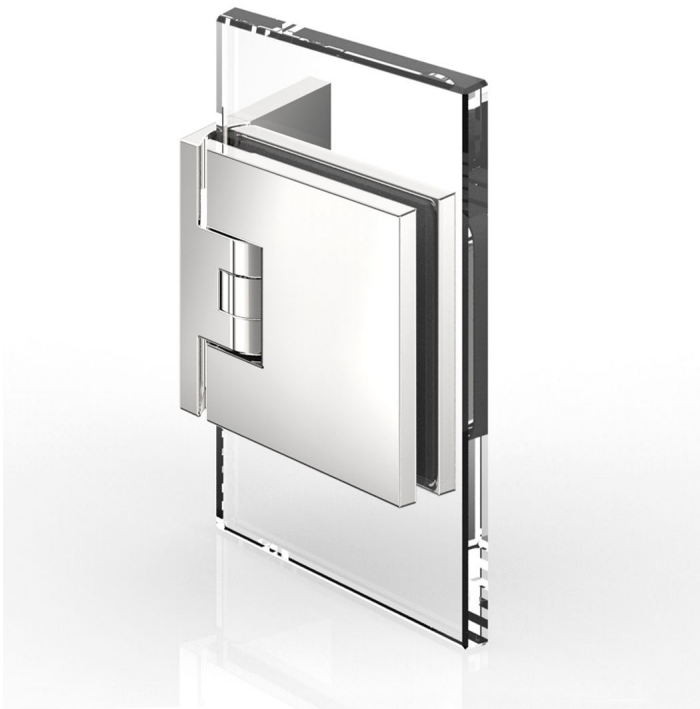


glass reference edge (inner panel with 8 mm glass)

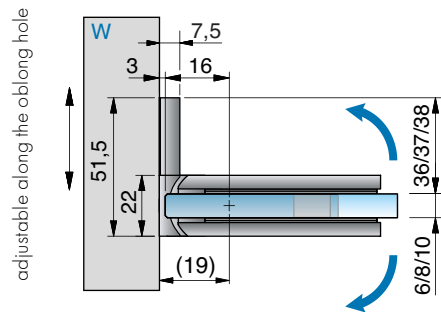
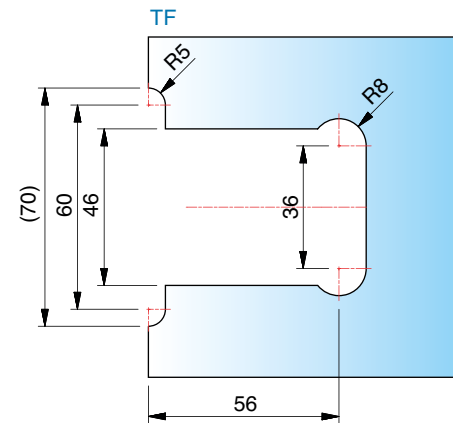


8130ZN glass-wall 90°

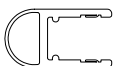
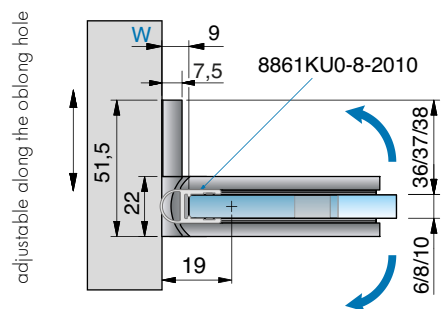
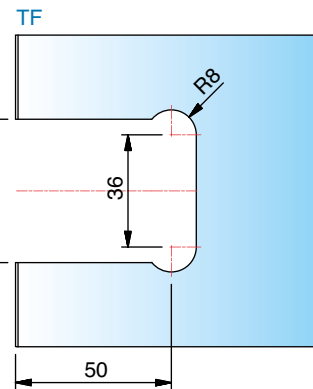
MADE
IN
GERMANY



without seal profile, for 8 mm glass

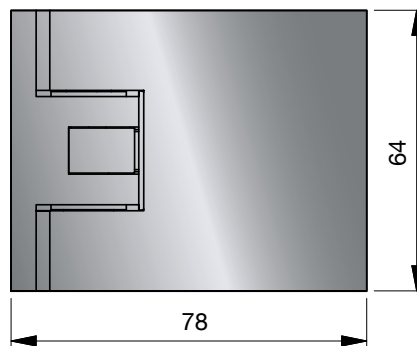


with seal profile 8861KU0-8-2010, for 8 mm glass



8134ZN glass-wall 90°

MADE
IN
GERMANY



article no	glass thickness
8134__	6*/8/10* mm
finish:	
ZN5	gloss chrome
ZN1	matt chrome
ZNPVD10	gloss nickel
ZNPVD22	stainless steel optic
ZNPVD20	gold optic
ZNPVD35	black matt
ZN135	deep black matt
ZN134	white matt



features

opens 90° inwards or outwards, double sided mounting plate,, with or without seal profile, concealed screws, wall mounting inside with oblong hole, closed position adjustable
shim plates in thicknesses 2/3/5/10 mm can be found on page 40.

*important

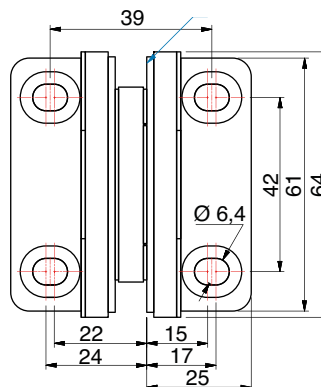
when using the hinges for 6 or 10 mm glass, please order the insert-set art. no. HZ-SET3 free of charge.



article no	glass thickness
8134__M1	6*/8/10* mm
finish:	
ZN5	gloss chrome
ZN135	deep black matt



glass reference edge (inner panel with 8 mm glass)

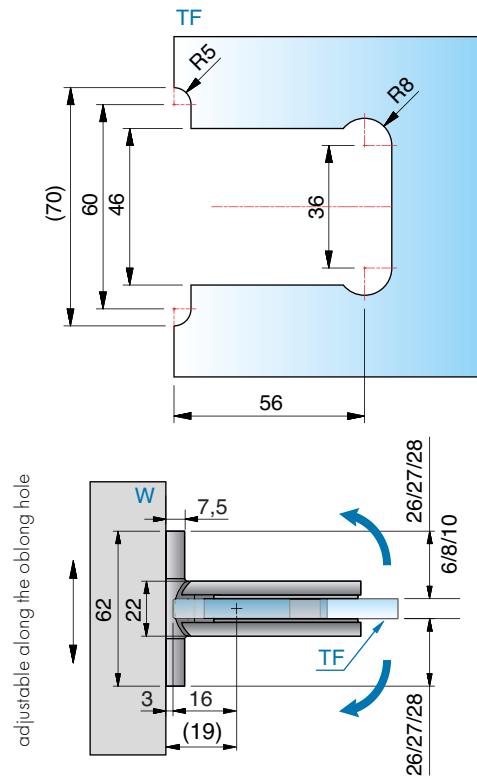


8134ZN glass-wall 90°

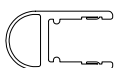
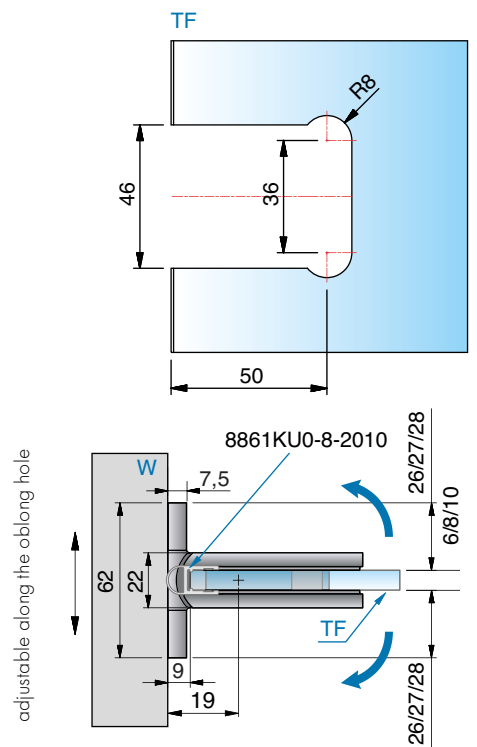
MADE
IN
GERMANY

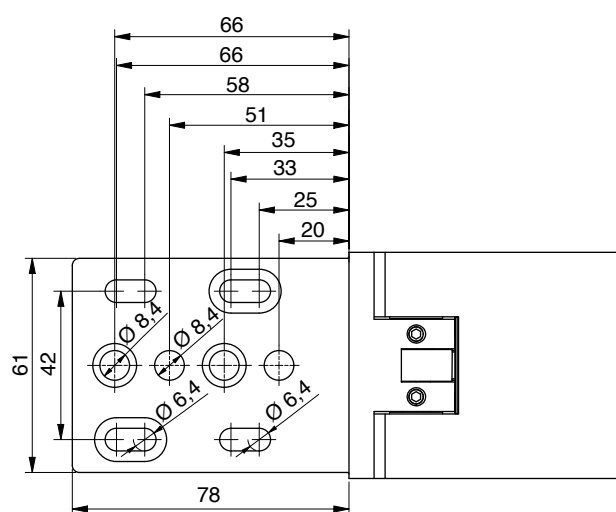
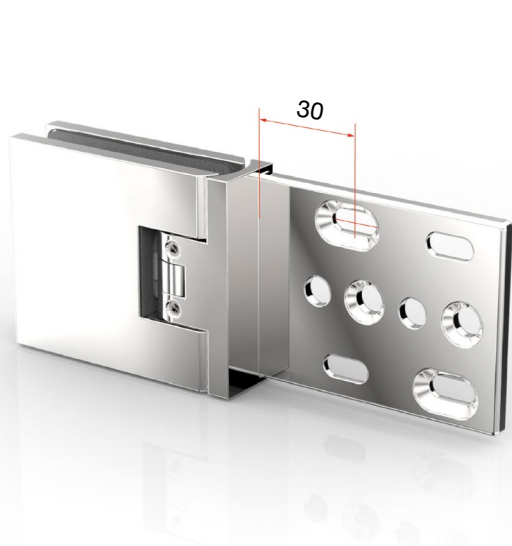


without seal profile, for 8 mm glass

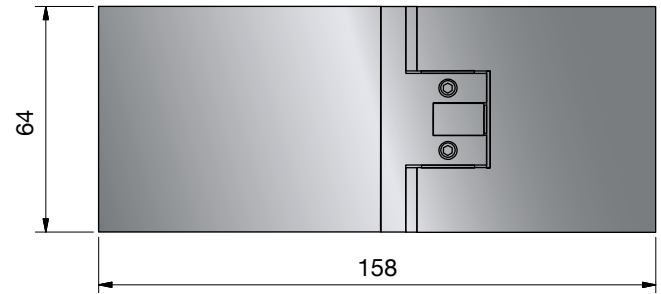
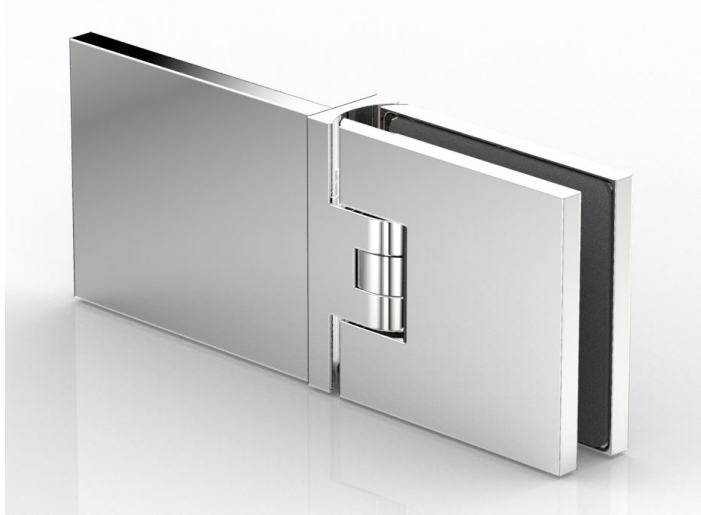


with seal profile 8861KU0-8-2010, for 8 mm glass





8133ZN glass-wall 180°



article no	glass thickness
8133__	6*/8/10* mm
finish:	
ZN5	gloss chrome
ZN1	matt chrome
ZNPVD10	gloss nickel
ZNPVD22	stainless steel optic
ZNPVD20	gold optic
ZNPVD35	black matt
ZN135	deep black matt
ZN134	white matt

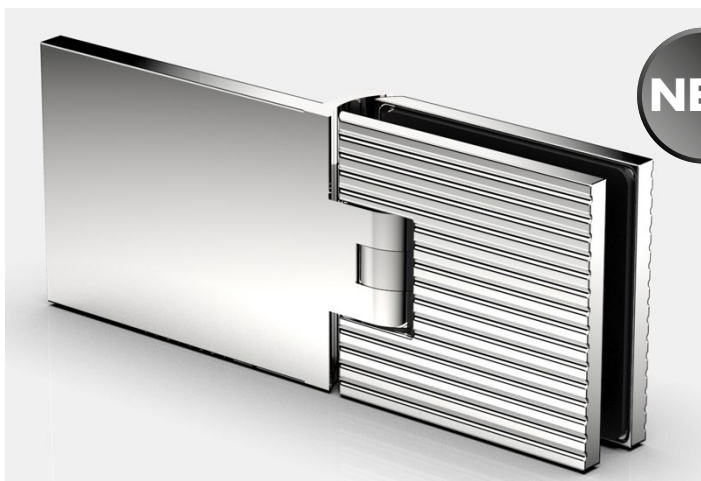


features

opens in- and outwards 90°, with or without seal profile, with adjustable closed position, adjustable along the oblong hole, concealed screws
 max door panel width 900 mm, loading capacity (2 hinges):
 40 kg when using max. 900 x 2200 x.8 mm

*important

when using the hinges for 6 or 10 mm glass, please order the insert-set art. no. HZ-SET3 free of charge.



article no	glass thickness
8133__M1	6*/8/10* mm
finish:	
ZN5	gloss chrome
ZN135	deep black matt

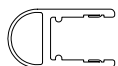
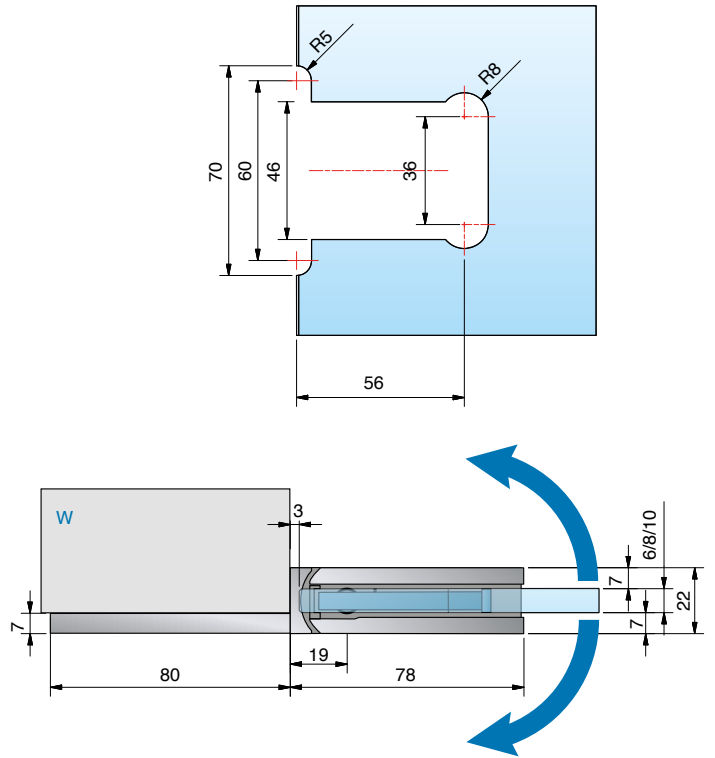


8133ZN glass-wall 180°

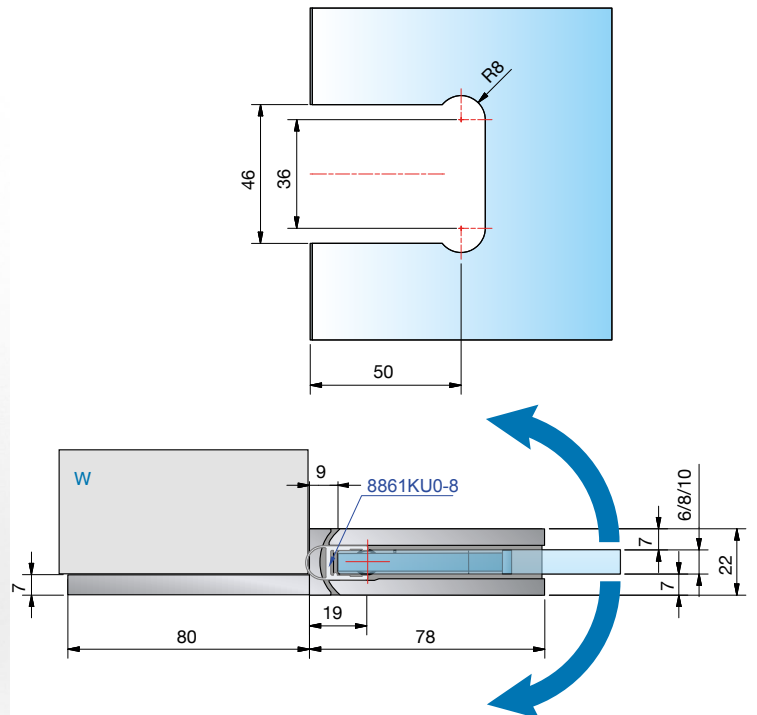
MADE
IN
GERMANY



without seal profile, for 8 mm glass

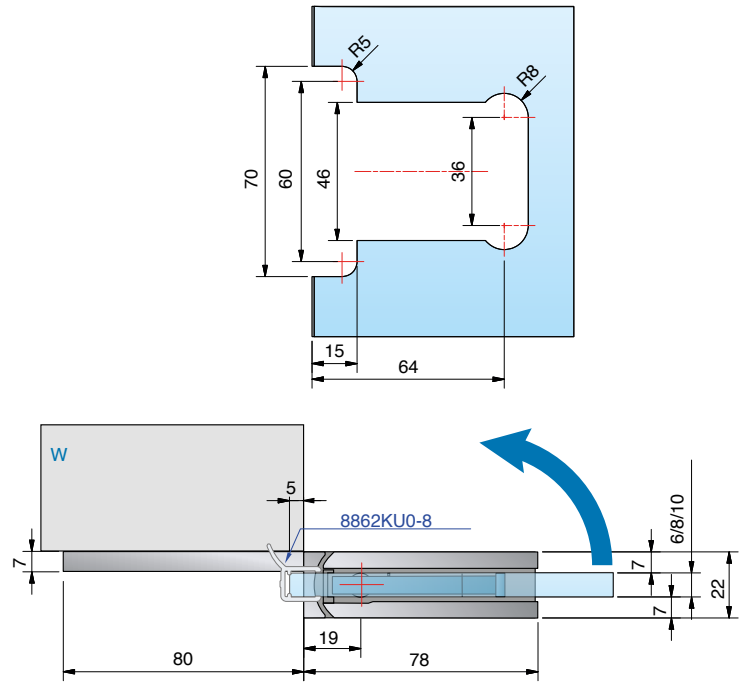


with seal profile 8861KU0-8-2010, for 8 mm glass



8133ZN glass-wall 180°

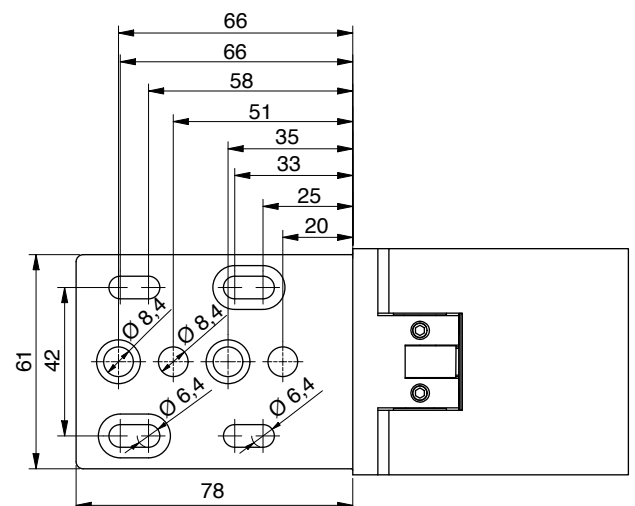
MADE
IN
GERMANY



with seal profile 8862KU0-8-2010, for 8 mm glass

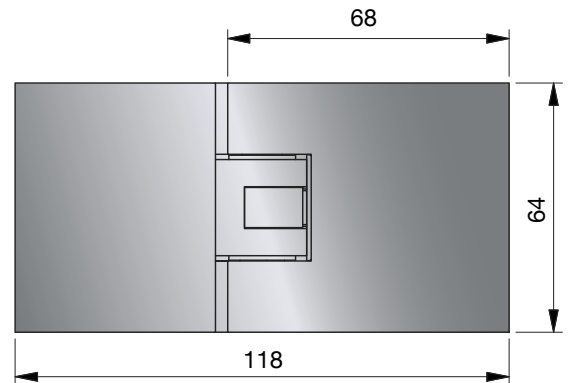
features

opens in- and outwards 90°, with or without seal profile, with adjustable closed position, adjustable along the oblong hole, concealed screws
 max door panel width 900 mm, loading capacity (2 hinges):
 40 kg when using max. 900 x 2200 x 8 mm





8132ZN glass-glass 180°



article no	glass thickness
8132__	6*/8/10* mm
finish:	
ZN5	gloss chrome
ZN1	matt chrome
ZNPVD10	gloss nickel
ZNPVD22	stainless steel optic
ZNPVD20	gold optic
ZNPVD35	black matt
ZN135	deep black matt
ZN134	white matt



features

opens in- and outwards 90° depending on sealing profile, with or without seal profile, with adjustable closed position, concealed screws
 max door panel width 900 mm, loading capacity (2 hinges):
 40 kg when using max. 900 x 2200 x 8 mm

*important

when using the hinges for 6 or 10 mm glass, please order the insert-set art. no. HZ-SET3 free of charge.



article no	glass thickness
8132__M1	6*/8/10* mm
finish:	
ZN5	gloss chrome
ZN135	deep black matt

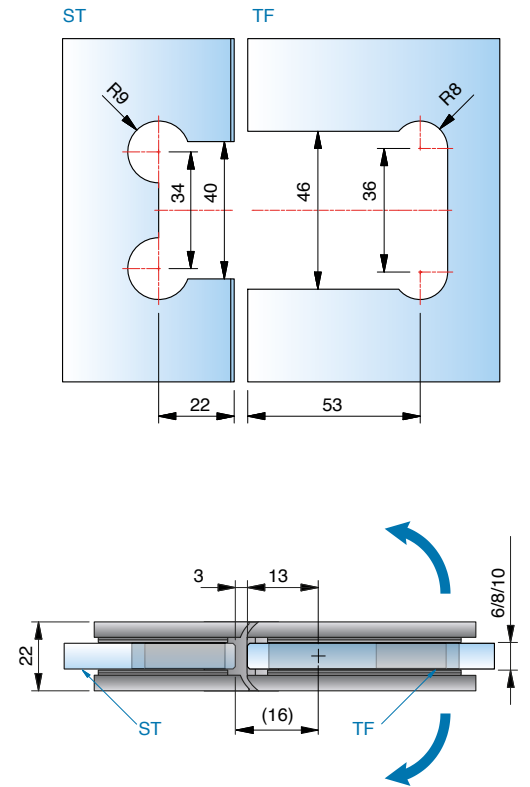


8132ZN glass-glass 180°

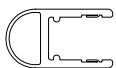
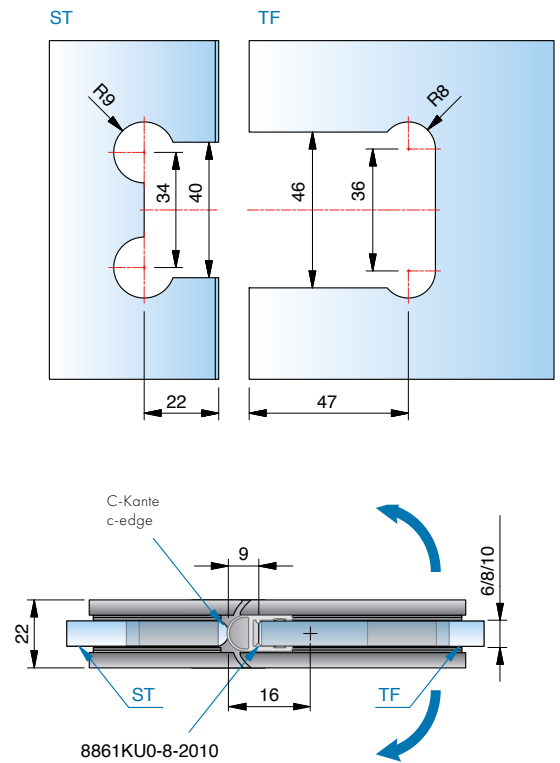
MADE
IN
GERMANY



without seal profile, for 8 mm glass

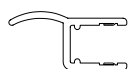
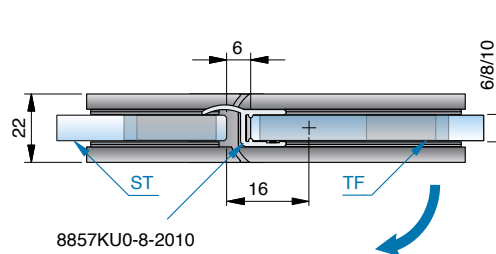
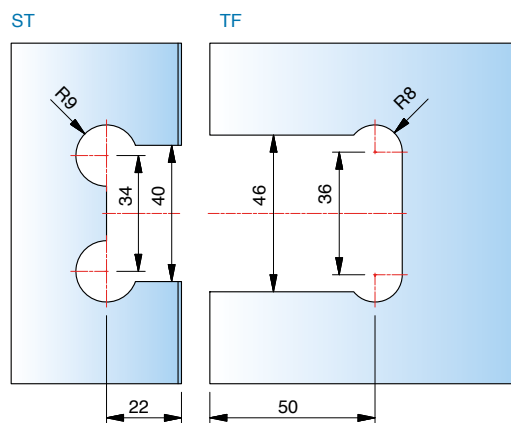


with seal profile 8861KU0-8-2010, for 8 mm glass



8132ZN glass-glass 180°

MADE
IN
GERMANY



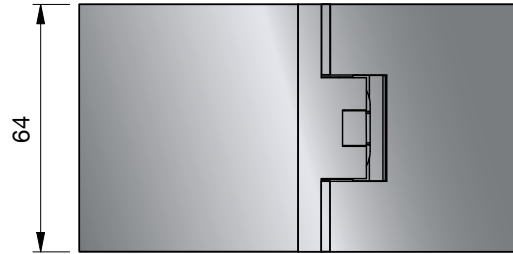
with seal profile 8857KU0-8-2010, for 8 mm glass

8131ZN Glas-Glas 135° | glass-glass 135°

MADE
IN
GERMANY



8131ZN Glas-Glas 135° | glass-glass 135°



article no	glass thickness
8131__	6*/8/10* mm
finish:	
ZN5	gloss chrome
ZN1	matt chrome
ZNPVD10	gloss nickel
ZNPVD22	stainless steel optic
ZNPVD20	gold optic
ZNPVD35	black matt
ZN135	deep black matt
ZN134	white matt

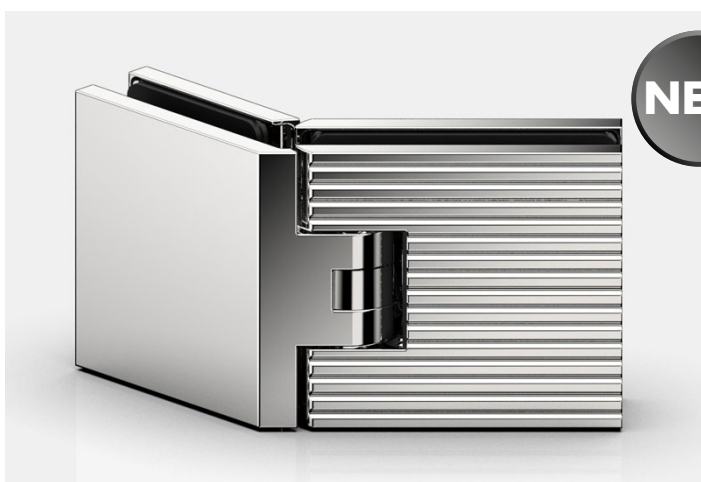


features

opens in- and outwards 90° depending on sealing profile, with or without seal profile, with adjustable closed position, concealed screws
 max door panel width 900 mm, loading capacity (2 hinges):
 40 kg when using max. 900 x 2200 x 8 mm

*important

when using the hinges for 6 or 10 mm glass, please order the insert-set art. no. HZ-SET3 free of charge.



article no	glass thickness
8131__M1	6*/8/10* mm
finish:	
ZN5	gloss chrome
ZN135	deep black matt

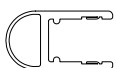
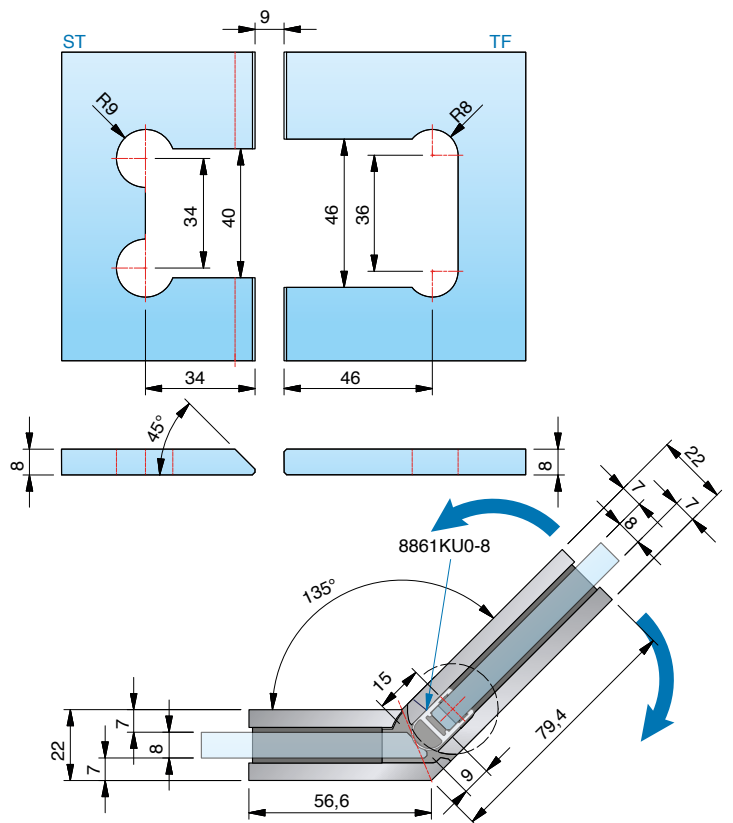
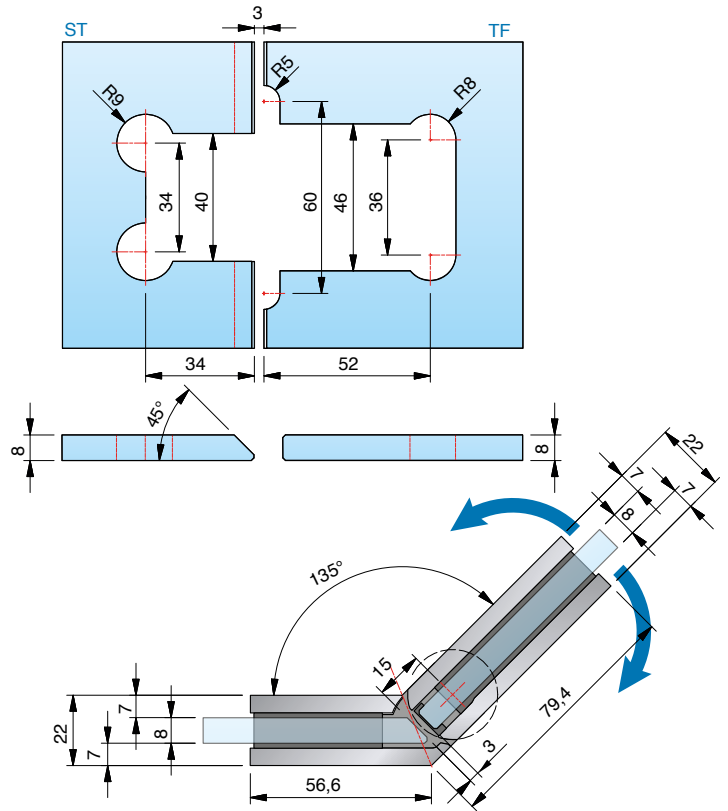


8131ZN glass-glass 135°

MADE
IN
GERMANY



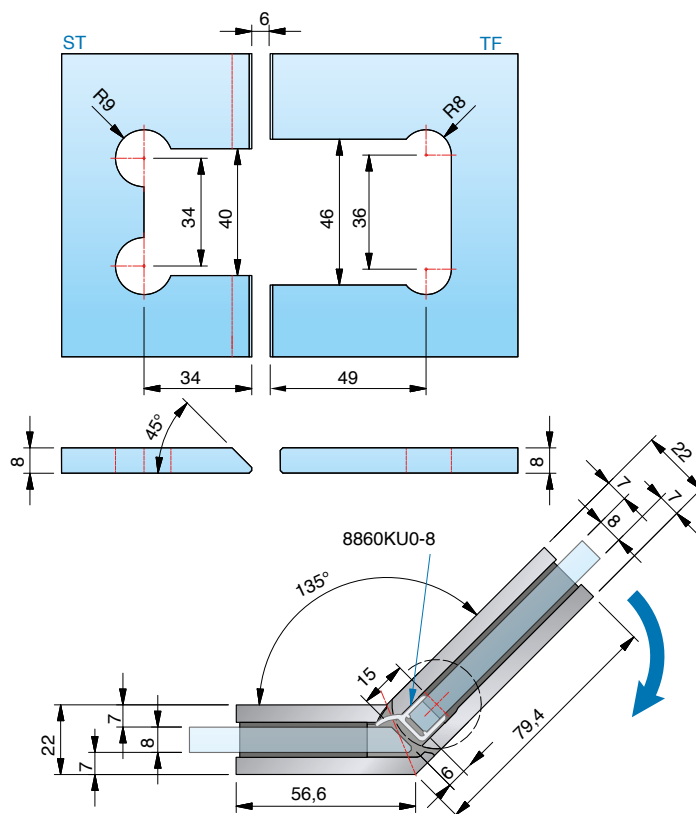
without seal profile, for 8 mm glass



with seal profile 8861KU0-8-2010, for 8 mm glass

8131ZN glass-glass 135°

MADE
IN
GERMANY



with seal profile 8860KU0-8-2010, for 8 mm glass

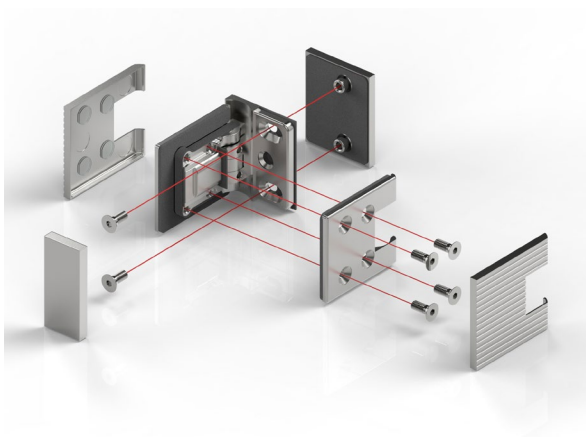
8136ZN glass-glass 90°

MADE
IN
GERMANY

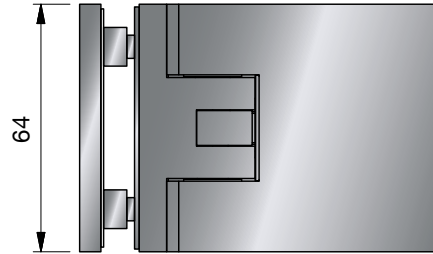


important!

For glass-glass 90°, only drilled holes are required in the side panel, so that the glass door panel is set inwards and the overhang (A) can be determined by the installer.



8136ZN glass-glass 90°



features

opens in- and outwards 90° depending on sealing profile, with or without seal profile, with adjustable closed position, concealed screws
 *offset dimension (A) on the side panel can be determined by the installer

***important**

when using the hinges for 6 or 10 mm glass, please order the insert-set art. no. HZ-SET3 free of charge.

article no	glass thickness
8136__	6*/8/10* mm
finish:	
ZN5	gloss chrome
ZN1	matt chrome
ZNPVD10	gloss nickel
ZNPVD22	stainless steel optic
ZNPVD20	gold optic
ZNPVD35	black matt
ZN135	deep black matt
ZN134	white matt

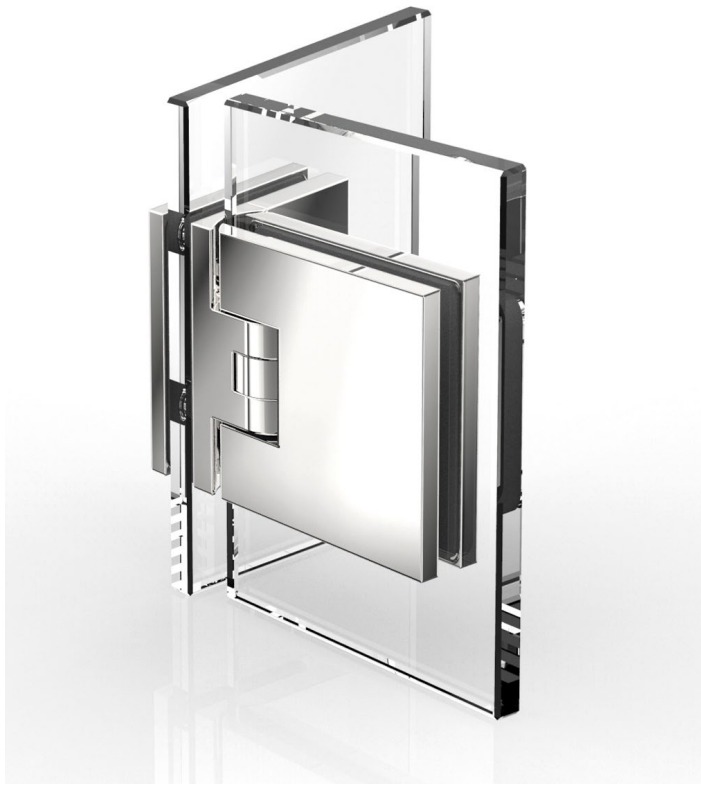


article no	glass thickness
8136__M1	6*/8/10* mm
finish:	
ZN5	gloss chrome
ZN135	deep black matt

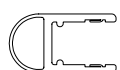
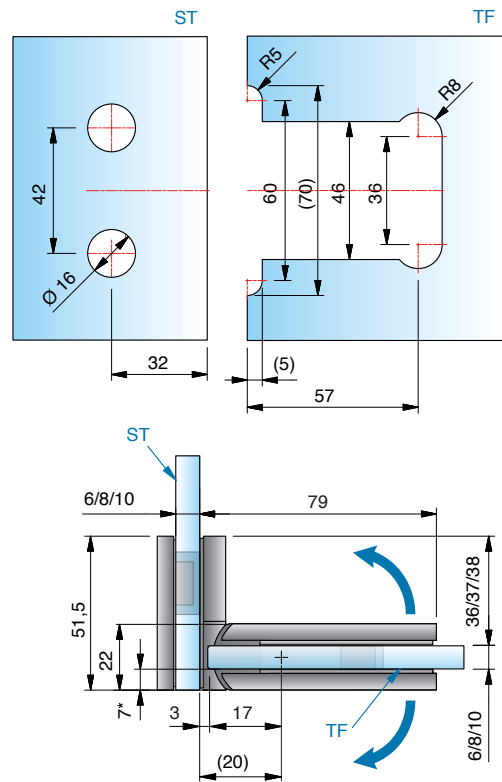


8136ZN glass-glass 90°

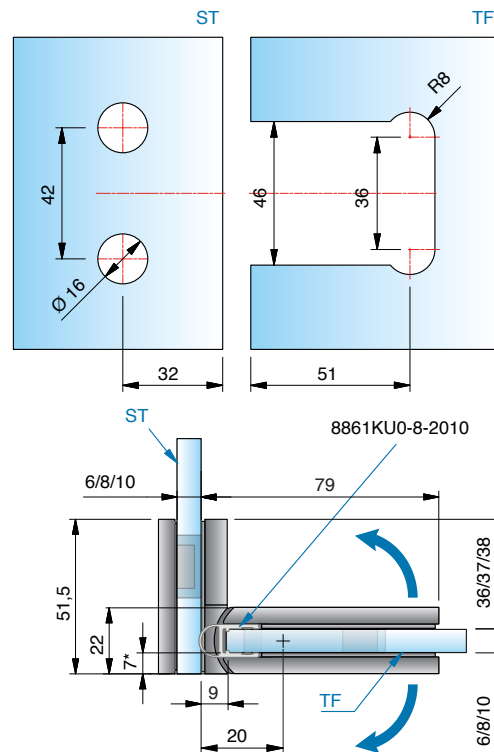
MADE
IN
GERMANY



without seal profile, for 8 mm glass



with seal profile 8861KU0-8-2010, for 8 mm glass



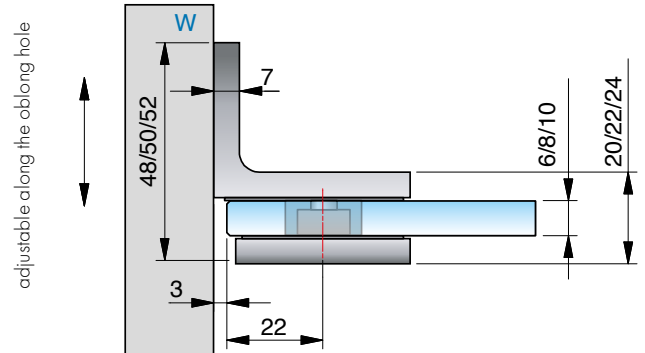
8136ZN glass-glass 90°

MADE
IN
GERMANY

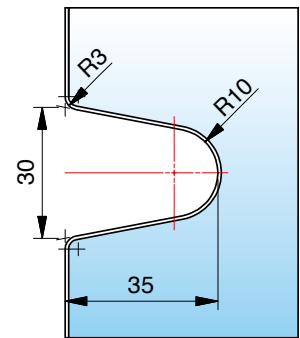
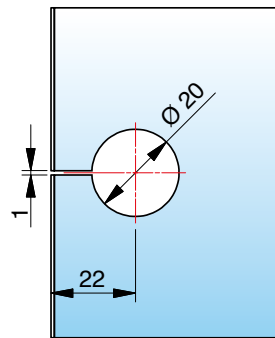


8194ZN Glas-Wand 90° - starr | glass-wall 90° - fix

MADE
IN
GERMANY



article no	glass thickness
8194__	6/8/10 mm
finish:	
ZN5	gloss chrome
ZN1	matt chrome
ZNPVD10	gloss nickel
ZNPVD22	stainless steel optic
ZNPVD20	gold optic
ZNPVD35	black matt
ZN135	deep black matt
ZN134	white matt



features

adjustable along the oblong hole, concealed screws

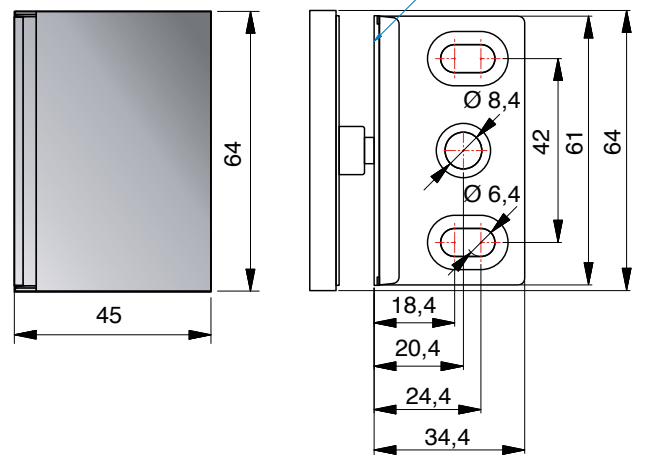
glass processing for 6/8/10 mm, hole Ø22 mm or recess R35



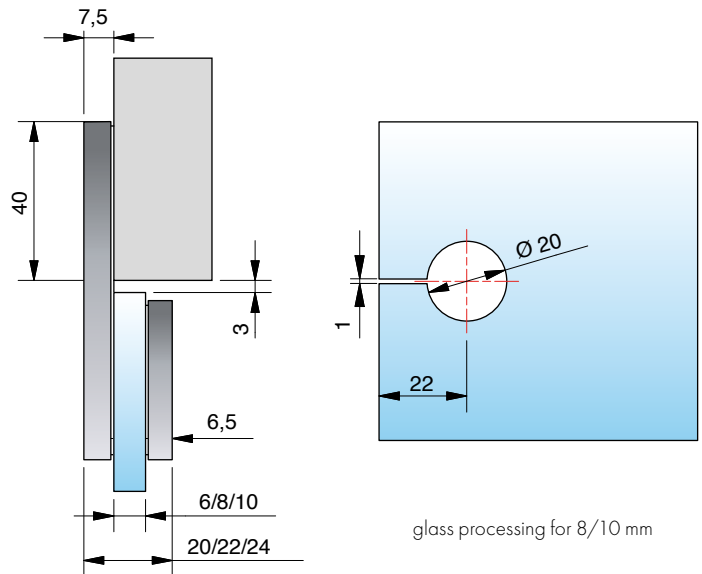
article no	glass thickness
8194__M1	6/8/10 mm
finish:	
ZN5	gloss chrome
ZN135	deep black matt



glass reference edge (inner panel with 8 mm glass)



8193ZN glass-wall 180°

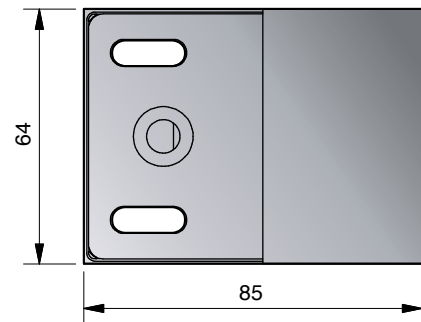


article no	glass thickness
8193__	6/8/10 mm
finish:	
ZN5	gloss chrome
ZN1	mat chrome
ZNPVD10	gloss nickel
ZNPVD22	stainless steel optic
ZNPVD20	gold optic
ZNPVD35	black matt
ZN135	deep black matt

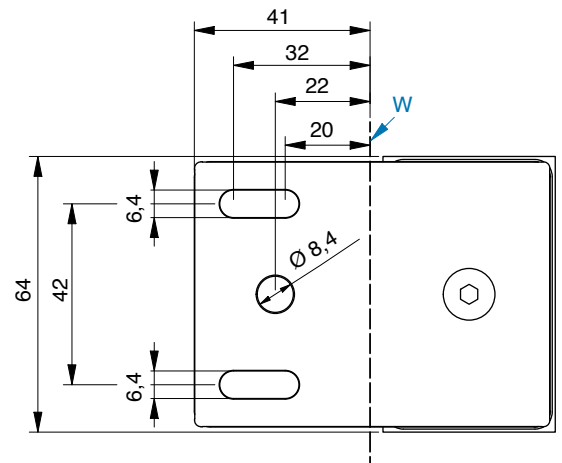


features

adjustable along the oblong hole, concealed screws



article no	glass thickness
8193__M1	6/8/10 mm
finish:	
ZN5	gloss chrome
ZN135	deep black matt



8199ZN glass-wall 90° - adjustable

MADE
IN
GERMANY



article no	glass thickness
8199__	6/8/10 mm
finish:	
ZN5	gloss chrome
ZN1	matt chrome
ZNPVD10	gloss nickel
ZNPVD22	stainless steel optic
ZNPVD20	gold optic
ZNPVD35	black matt
ZN135	deep black matt



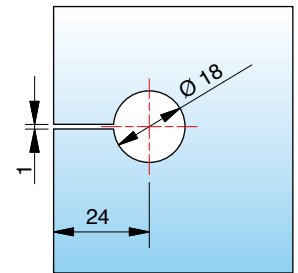
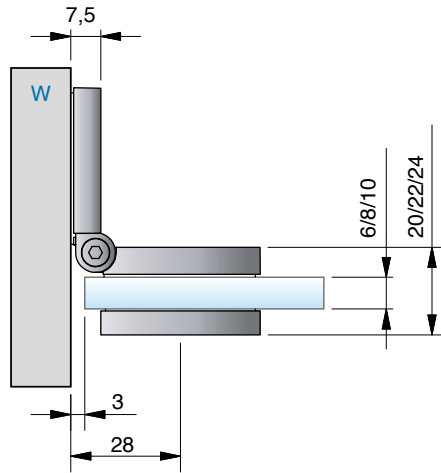
article no	glass thickness
8199__M1	6/8/10 mm
finish:	
ZN5	gloss chrome
ZN135	deep black matt



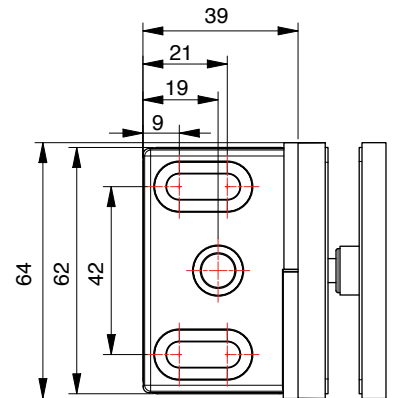
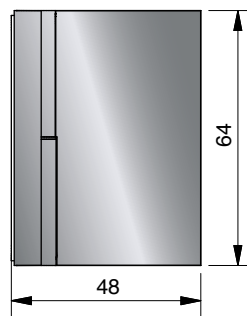
features

adjustable along the oblong hole,
concealed screws, degree of angle is fully adjustable between 60° and 100°,
concealed screws degree of angle

8199ZN glass-wall 90° - adjustable



Glasbearbeitung für 8/10 mm
glass processing for 8/10 mm



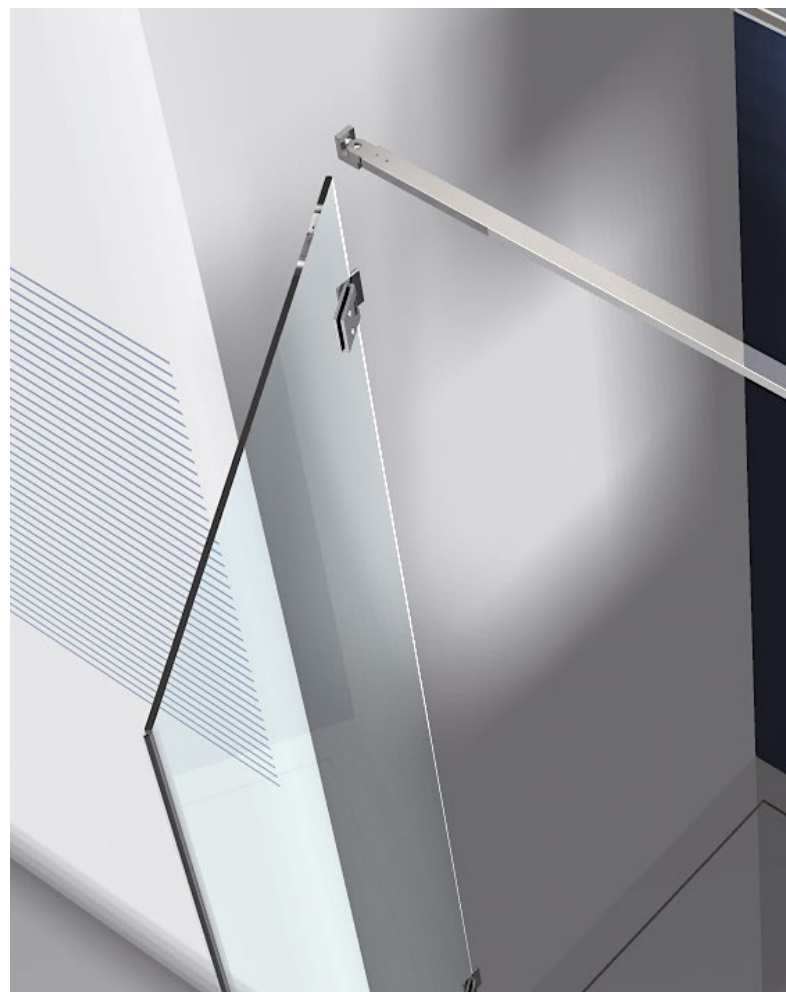
miter angle and hole distances for 8199ZN			
corner	hole distances from glass edge	miter angle	remarks
60°	33 mm	30°	-
65°	31 mm	25°	-
70°	30 mm	20°	-
75°	28 mm	15°	-
80°	27 mm	10°	-
85°	26 mm	5°	-
90°	24 mm	without miter angle	hole slotted
95°	23 mm	5°	hole slotted
100°	22 mm	10°	hole slotted

8198ZN glass-glass 90° - adjustable

MADE
IN
GERMANY



article no	glass thickness
8198__	6/8/10 mm
finish:	
ZN5	gloss chrome
ZN1	matt chrome
ZNPVD10	gloss nickel
ZNPVD22	stainless steel optic
ZNPVD20	gold optic
ZNPVD35	black matt
ZN135	deep black matt
ZN134	white matt



features

concealed screws, degree of angle is fully adjustable between 80° and 180°

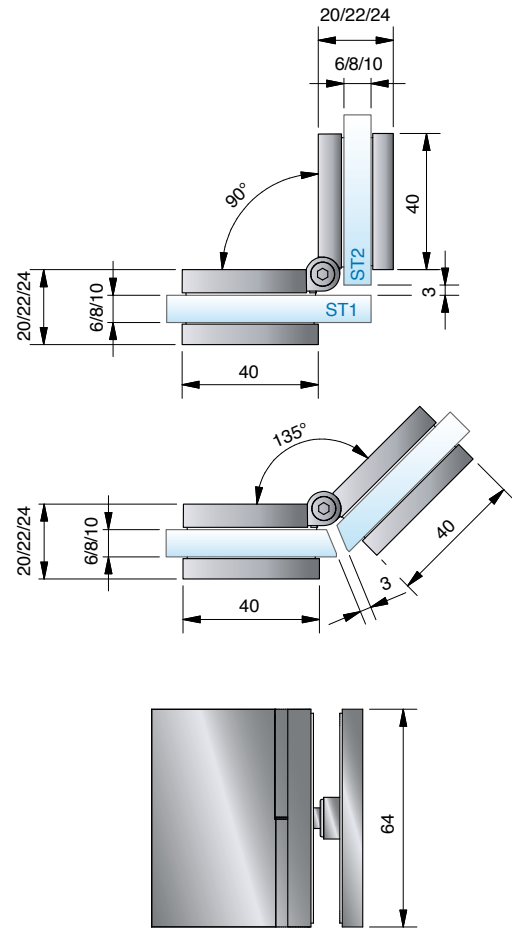


article no	glass thickness
8198__M1	6/8/10 mm
finish:	
ZN5	gloss chrome
ZN135	deep black matt

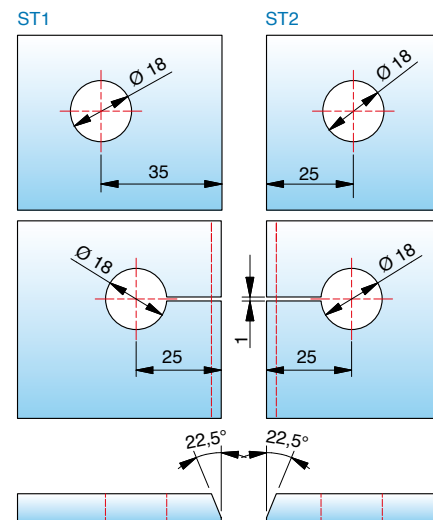


8198ZN glass-glass 90° - adjustable

MADE IN GERMANY



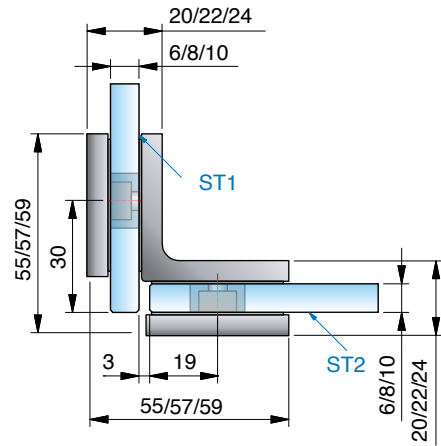
miter angle and hole distances for 8198ZN			
corner	hole distances from glass edge	miter angle	remarks
80°	36 mm	50°	-
85°	35 mm	47,5°	-
90°	33 mm	45°	-
95°	32 mm	42,5°	-
100°	31 mm	40°	hole slotted
105°	30 mm	37,5°	hole slotted
110°	29 mm	35°	hole slotted
115°	28 mm	32,5°	hole slotted
120°	28 mm	30°	hole slotted
125°	27 mm	27,5°	hole slotted
130°	26 mm	25°	hole slotted
135°	25 mm	22,5°	hole slotted
140°	25 mm	20°	hole slotted
145°	24 mm	17,5°	hole slotted
150°	23 mm	15°	hole slotted
155°	23 mm	12,5°	hole slotted
160°	22 mm	10°	hole slotted
165°	22 mm	7,5°	hole slotted
170°	21 mm	5°	hole slotted
175°	20 mm	0°	hole slotted
180°	20 mm	0°	hole slotted



glass processing for 8mm

8196ZN glass-glass 90° - fix

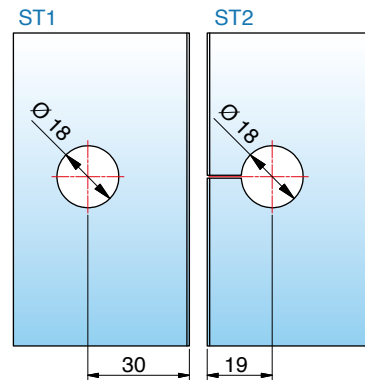
MADE
IN
GERMANY



article no	glass thickness
8196__	6/8/10 mm
finish:	
ZN5	gloss chrome
ZN1	matte chrome
ZNPVD10	gloss nickel
ZNPVD22	stainless steel optic
ZNPVD20	gold optic
ZNPVD35	black matt
ZN135	deep black matt
ZN134	white matt



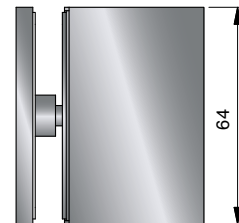
features
concealed screws



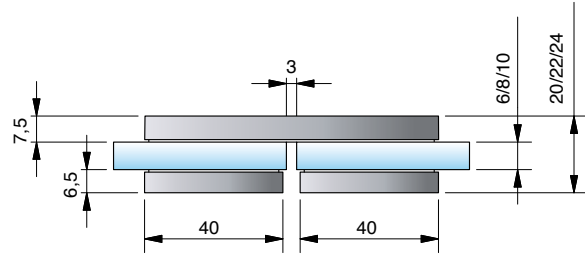
glass processing for 8mm



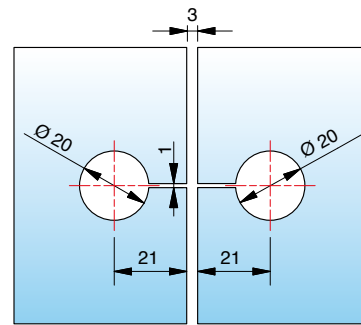
article no	glass thickness
8196__M1	6/8/10 mm
finish:	
ZN5	gloss chrome
ZN135	deep black matt



8191ZN glass-glass 180°



article no	glass thickness
8191__	6/8/10 mm
finish:	
ZN5	gloss chrome
ZN1	matte chrome
ZNPVD10	gloss nickel
ZNPVD22	stainless steel optic
ZNPVD20	gold optic
ZNPVD35	black matt
ZN135	deep black matt
ZN134	white matt



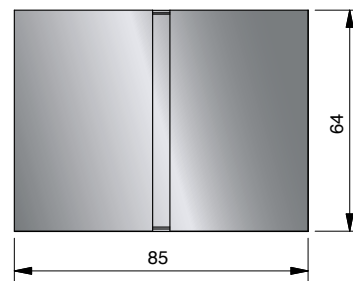
glass processing for 8mm

features

concealed screws



article no	glass thickness
8191__M1	6/8/10 mm
finish:	
ZN5	gloss chrome
ZN135	deep black matt



8189ZN glass-wall 90°

MADE
IN
GERMANY



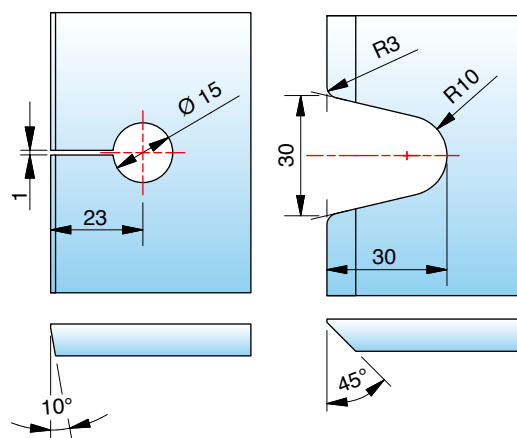
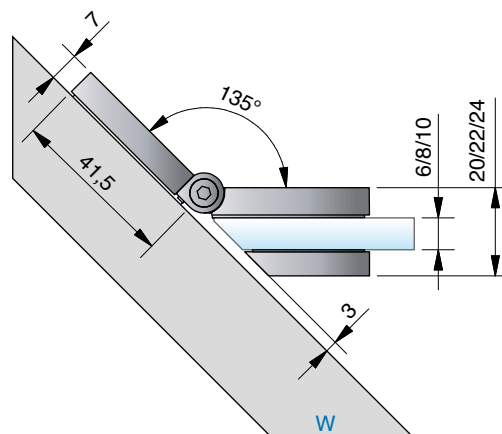
article no	glass thickness
8189__	6/8/10 mm
finish:	
ZN5	gloss chrome
ZN1	mat chrome
ZNPVD10	gloss nickel
ZNPVD22	stainless steel optic
ZNPVD20	gold optic
ZNPVD35	black matt



features
adjustable along the oblong hole, concealed screws

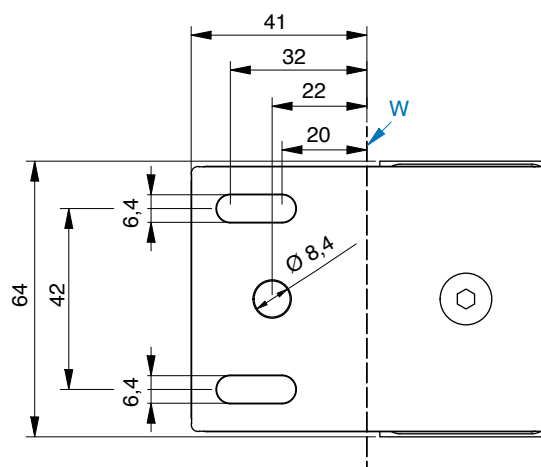
8189ZN glass-wall 90°

MADE
IN
GERMANY



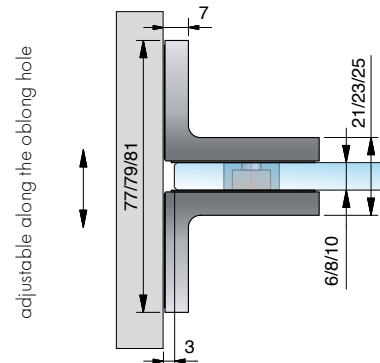
glass processing for 8 mm, hole Ø22 mm or recess R35

Gehrungswinkel und Bohrlochmaße für 8199ZN miter angle and hole distances for 8199ZN			
corner	Bohrlochmaß von Glaskante hole distances from glass edge	Gehrungswinkel am Glas miter angle	Bemerkung remarks
100°	23 mm	10°	hole slotted
105°	23 mm	15°	hole slotted
110°	22 mm	20°	hole slotted
115°	22 mm	25°	hole slotted
120°	21 mm	30°	hole slotted
125°	21 mm	35°	hole slotted
130°	-	40°	edge recess R30
135°	-	45°	edge recess R30

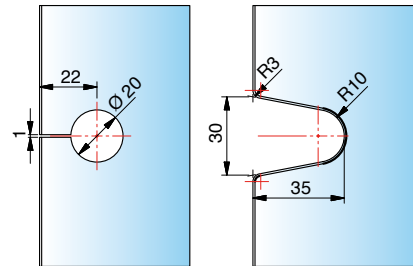


8195ZN wall-glass-wall 90°

MADE
IN
GERMANY



article no	glass thickness
8195__	6/8/10 mm
finish:	
ZN5	gloss chrome
ZN1	matt chrome
ZNPVD10	gloss nickel
ZNPVD22	stainless steel optic
ZNPVD20	gold optic
ZNPVD35	black matt
ZN135	deep black matt
ZN134	white matt

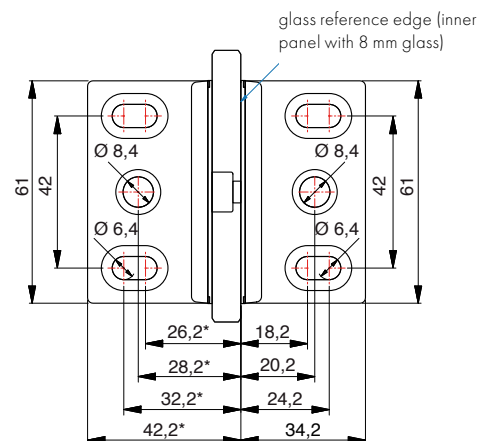
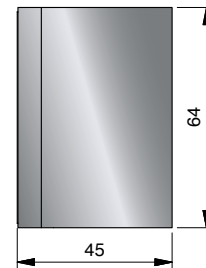


glass processing for 8mm
hole \varnothing 20 mm or edge recess R35

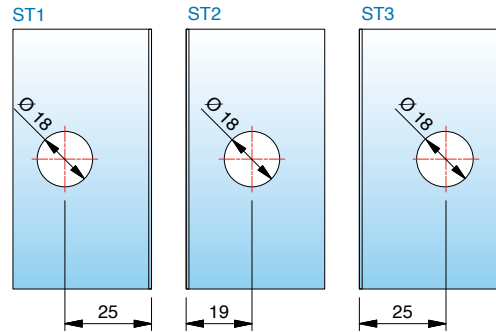
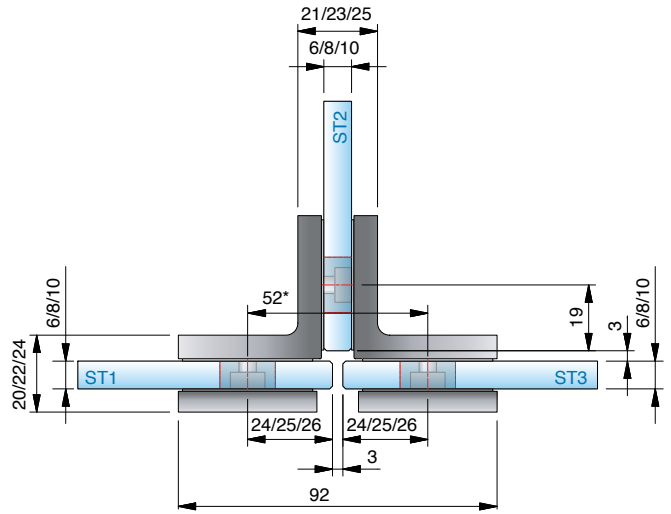


features

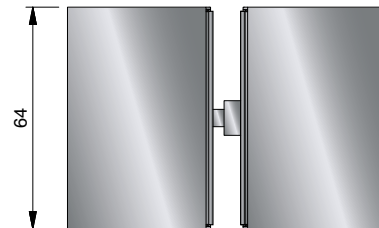
double sided mounting plate, concealed screws



8197ZN glass-glass-glass 90°



glass processing for 8mm



article no	glass thickness
8197__	6/8/10 mm
finish:	
ZN5	gloss chrome
ZN1	mat chrome
ZNPVD10	gloss nickel
ZNPVD22	stainless steel optic
ZNPVD20	gold optic
ZNPVD35	black matt
ZN135	deep black matt
ZN134	white matt

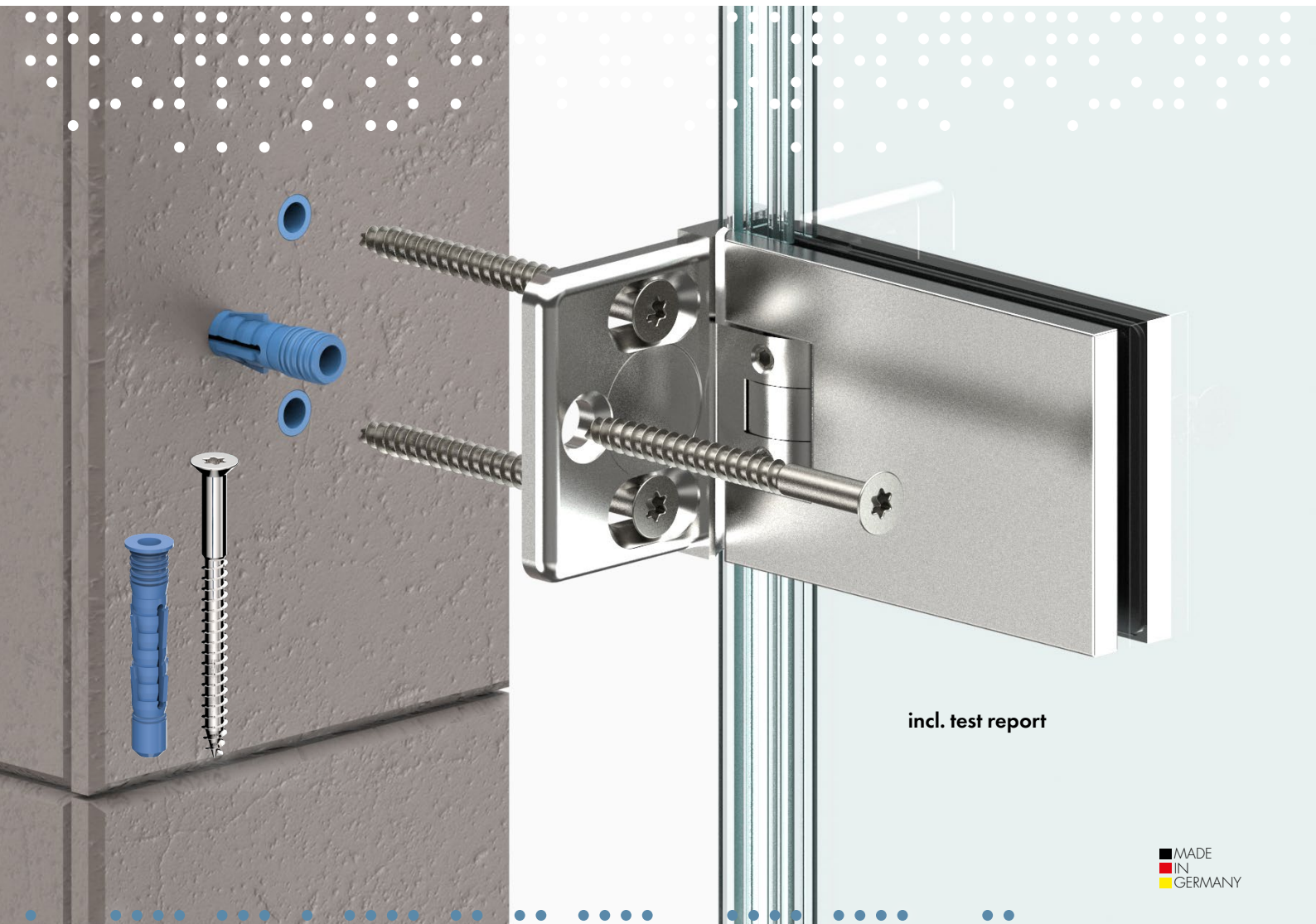


features

concealed screws

AQUA STOP PRO

sealing dowel and screw



incl. test report

MADE
IN
GERMANY

the complete package for shower areas



The sealing function of Aqua Stop Pro has been independently tested in conjunction with threaded and shanked screws according to DIN7995 in accordance with ETAG Q22 and DIN 18534 and is suitable for use in the water exposure classes W0- to W3-. Sealing all-purpose dowel for fastenings to tiled walls and floors in private and commercial rooms such as bathrooms, showers, kitchens, etc.

sealed drilled holes - without silicone

matched nut area

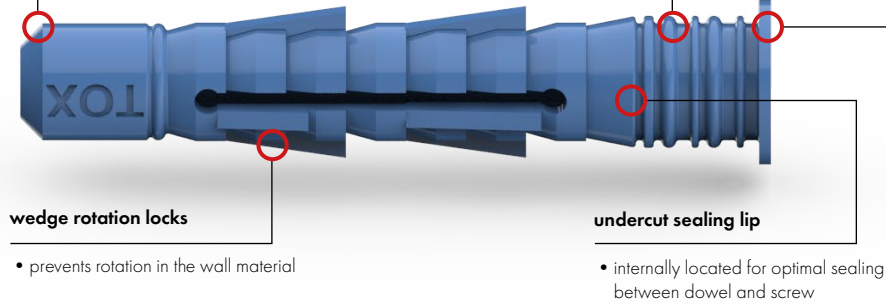
- for a noticeable increase in force with optimal knotting

double sealing lip

- for optimum sealing between dowel and building material without the use of silicone

collar

- protects the tile during assembly



wedge rotation locks

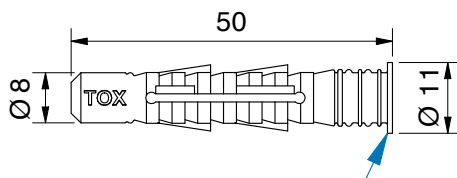
- prevents rotation in the wall material

undercut sealing lip

- internally located for optimal sealing between dowel and screw

- sealing all-purpose dowel for fastening to tiled walls and floors in private and commercial rooms such as bathrooms, showers, kitchens etc.
- Dowel made of high-strength and durable HDPE performance plastic
- the **collar can be removed** if necessary without impairing the sealing function of the Aqua Stop

- double sealing lips for **optimal sealing** between the dowel and building material without the use of silicone
- optimized **all-purpose geometry** for simplified knotting
- special **HDPE material**: no change in material properties upon contact with water
- **collar** protects the tile during installation
- eight **locking wedges** to prevent rotation during installation
- independently tested by the **German Institute for wall and floor surfacing** „Säurefließner-Vereinigung e.V.“

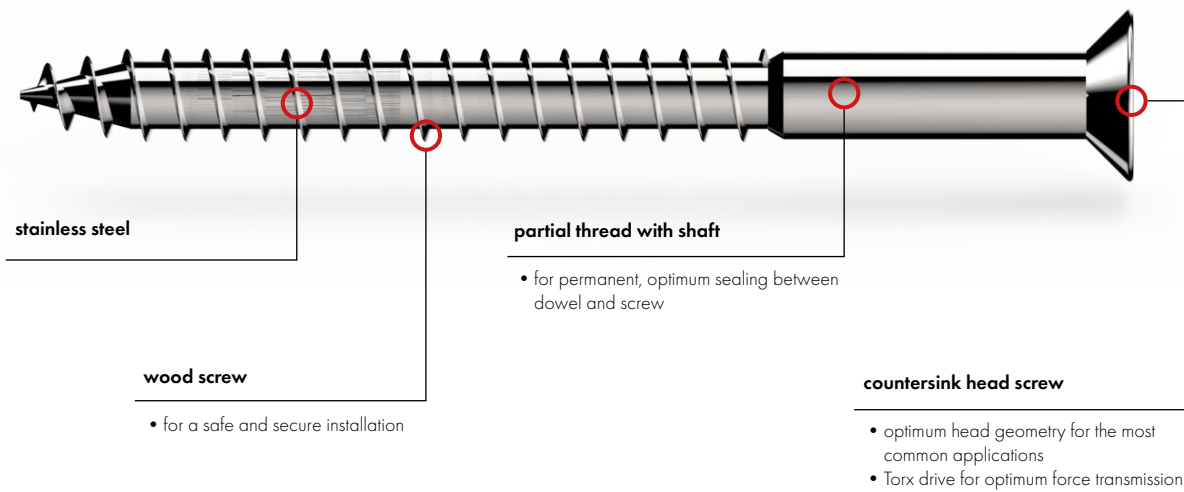


The collar can be removed if necessary without impairing the sealing function of the Aqua Stop

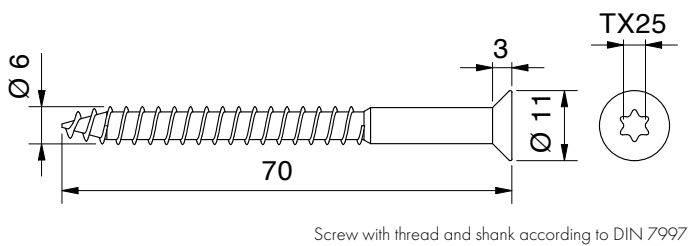
art. no	description
DÜBEL8X50MMAQUA-60	dowel 8x50 Aqua Stop Pro



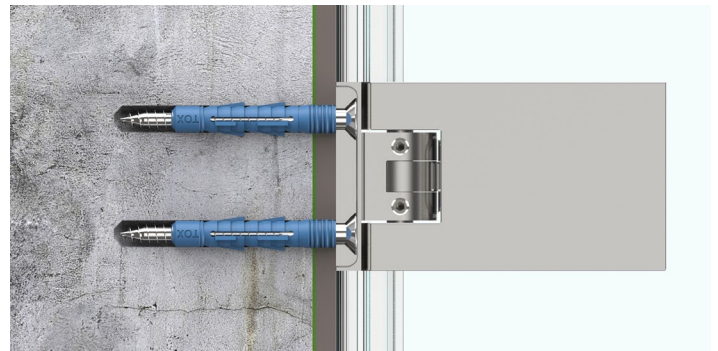
sealed drilled holes - without silicone



The dowel from TOX in combination with our screw offers a tested system and is compatible with almost all our fittings and many wall materials. The screw may **not be threaded** near the head. A screw with a continuous thread would cut the sealing surfaces in the upper area. The reinforced shank is required for sealing. Other screw combinations are not permitted.



application with shower door hinge



art. no	description
S7997A2D6x70TX*	Torx screw for dowel 8x50 Aqua Stop Pro

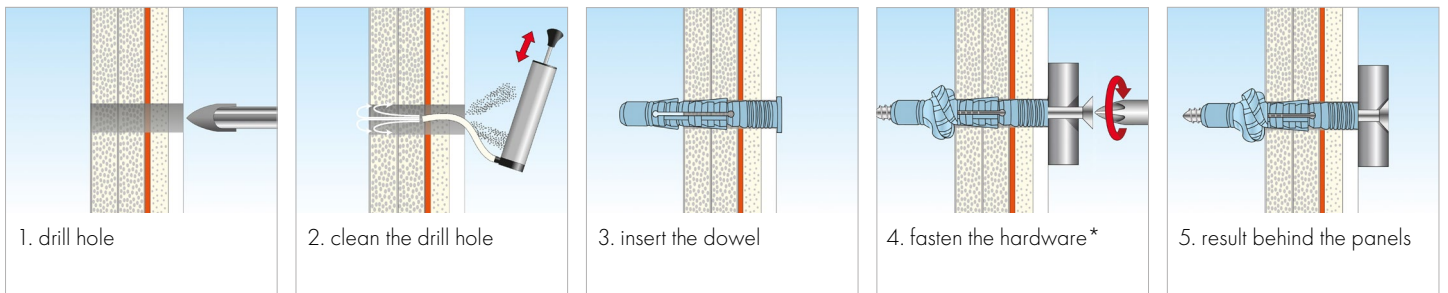


The collar can be removed if necessary without impairing the sealing function of the Aqua Stop

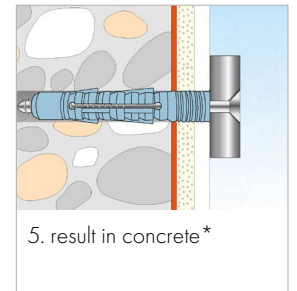
installation with Aqua Stop Pro



Our tested screws and sealing dowels offer a secure installation in combination with our hardware, and can guarantee sealing in accordance with the DIN 18534 and help to avoid mistakes.



*The collar can be removed if necessary without impairing the sealing function of the Aqua Stop

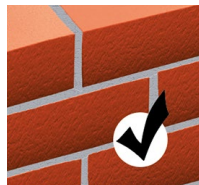


possible substrates



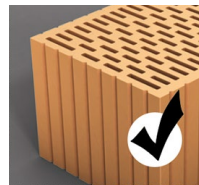
concrete
C 20/25

80 kg



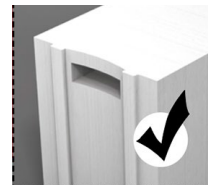
solid stone
KS 12

40 kg



≥ Hlz12
vertically perforated brick
bulk density 1 kg/dm³

35 kg



aerated concrete
≥ PB2, PP2

30 kg



plasterboard
18 mm

20 kg



plasterboard
2x 12,5 mm

25 kg



gypsum fiberboard
2x 12,5 mm

25 kg

test report with Aqua Stop Pro and P+S products

1. test purpose

- testing the resistance to water of the sealing all-purpose dowel TOX Aqua Stop Pro
- per Ø 8mm (without collar) in conjunction with hardware and screws from Pauli + Sohn GmbH
- test basis: In accordance with DIN 18534 (load over 28 days with an upstanding water column H = 20 cm).

2. test material

The hardware and screws were provided by Pauli + Sohn. The dowels were taken from series production and the collar was removed after installation.

- TOX Aqua Stop Pro 8x50 dowel (without collar)
- HDPE countersink head screw to DIN 7997 with TX drive stainless steel A2
- hardware 1 - Flamea+ swing shower door hinge - art. no. 8130ZN5
gloss chrome-plate
- hardware 2 - Flamea+ angle bracket - art. no. 8194ZN5
gloss chrome-plated





3. test setup and assembly

Test setup based on water resistance tests in accordance with DIN 18534. The drill holes were drilled with an 8 mm glass and tile drill (Prohjan). The components were mounted using the screws supplied and the test box was filled with water.

4. result summary

- result after 28 days - All fixation points were sealed.

Auszug

<p>1 Versuchsgrund Überprüfung der Wasserdichtheit des abdichtenden Allzweckdübels TOX Aqua Stop Pro Ø 8mm (ohne Kragen) in Verbindung mit Anbauteilen und Schrauben der Firma Pauli + Sohn GmbH Prüfgrundlage: In Anlehnung DIN 18534 (Belastung über 28 Tage mit aufstehende Wassersäule H = 20cm).</p>			
<p>2 Versuchsmaterial Die Anbauteile und Schrauben wurden von der Firma Pauli + Sohn gestellt. Die Dübel wurden aus der Serienfertigung entnommen und der Kragen nach der Montage entfernt.</p>			
Dübel	TOX Aqua Stop Pro 8x50 (ohne Kragen)	HDPE	
Schraube	Senkkopfschraube nach DIN 7997 mit TX Antrieb	Nichtrostender Stahl A2	
Anbauteil 1	Duschpendelübergang Flamea+ Art. Nr. 8130ZN5	Verchromt	
Anbauteil 2	Winkelverbinder Flamea+ Art. Nr. 8194ZN5	Verchromt	

TOX-Dübel-Technik GmbH

TOX-Dübel-Technik GmbH
Brunnenstraße 31
D - 72505 Kraichenwies-Ablach

Bericht

Nr. V2023-045-1
Pauli + Sohn GmbH

Datum: 04.07.2023
 Auftraggeber: Pauli + Sohn GmbH
 Gegenstand: Aqua Stop Pro 8mm ohne Kragen in Verbindung mit Anbauteile und Schrauben von der Firma Pauli + Sohn GmbH
 Prüfer: D. Wilhelm (B.Eng.)

Inhalt

1 Versuchsgrund	2
2 Versuchsmaterial	2
3 Versuchsaufbau und Montage	2
4 Ergebnis Zusammenfassung	2

interior solutions





EVERYSPACE interior

sliding door system



MADE
IN
GERMANY



content

overview – installation situations.....	92
hardware components at a glance.....	96
possible mounting types	99
mounting and assembly.....	102
article overview	112
accessories	114
our service	120
maintenance instructions	121
technical summary.....	122

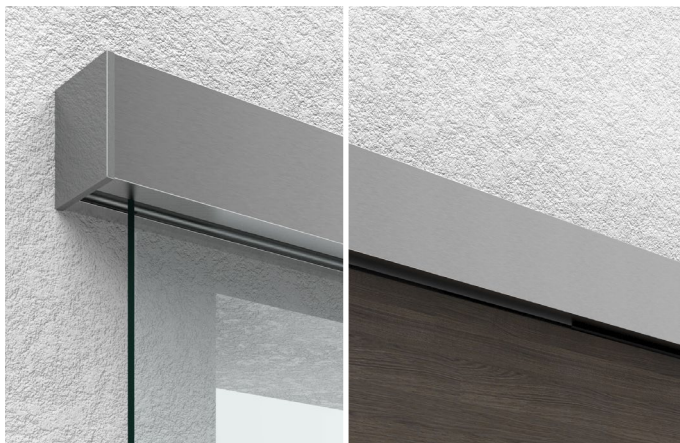
EVERYSPACE interior

functional elegance in perfection

Excellence in workmanship and elegance in appearance - the absolute high-quality sliding door system **EVERYSPACE** interior offers perfect, individual solutions for the installation of glass and wooden sliding doors for interior applications – from the conference room to the salon and even to spacious room partitions or small doors.

With our modular high-end hardware technology, you benefit from the longevity of all components and remain flexible - whether for wall or ceiling mounting. The innovative Softstopp system allows a smooth and quiet operation of the sliding doors. The high-quality cover panels are made of anodized aluminum and provide a unique look that reflects the high-quality technology behind it.

Outstanding material quality of all components and highest manufacturing precision - a trademark of Pauli + Sohn and a prerequisite for simple, safe and sustainable installation. Our products have effortlessly fulfilled the requirements of the DIN EN 1527 : 1998 endurance test with 50,000 closing cycles, although only 20,000 cycles were required. This means that first-class, low-wear functionality is permanently guaranteed.



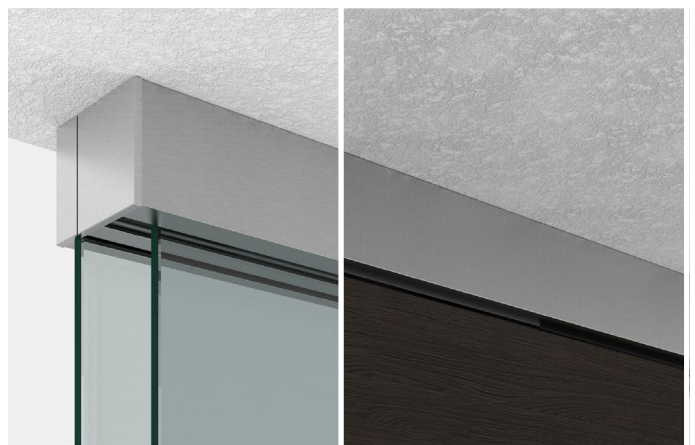
wall mounting optionally with glass or wooden door



ceiling mounting optionally with glass or wooden door

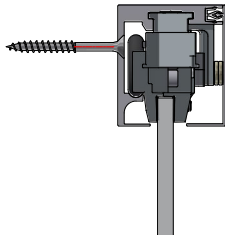


glass mounting optionally with glass or wooden door



side panel mounting optionally with glass or wooden door

overview – installation situations



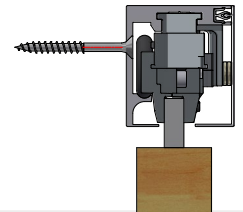
type	3442-1 – single-panel wall mounted	3444-4 – double-panel wall mounted
standard system widths	2000; 2500; 3000 mm*	3000; 4000 mm*
dimensions running rail WxH	55 x 61,5 mm	55 x 61,5 mm
wall door spacing	glass 20 mm / wood min. 5 mm	glass 20 mm / wood min. 5 mm
door thickness	8-12,76 mm	8-12,76 mm
max. door width	1500 mm	1500 mm
max. door height	2800 mm	2800 mm
max. door weight	100 kg (with Softstopp) 80 kg (undamped)	100 kg (with Softstopp) 80 kg (undamped)
height adjustment	+/-3 mm	+/-3 mm
surface colors	E6EV1 (natural anodized) E6C35 (black matt anodized) E123 (stainless-steel optic)	E6EV1 (natural anodized) E6C35 (black matt anodized) E123 (stainless-steel optic)
Softstopp	✓	✓
motion cycles with Softstopp	≤ 50.000	≤ 50.000
motion cycles without Softstopp	≥200.000	≥200.000

wooden door



✓

✓

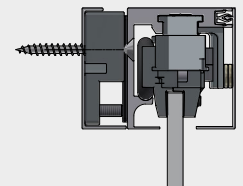


door frame spacing



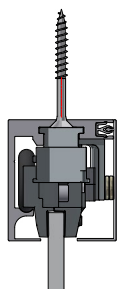
✓ (+23 mm distance)

✓ (+23 mm distance)

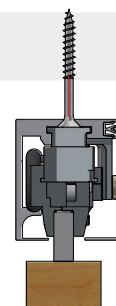


* only with Softstopp

overview – **installation situations**



type	3443-11 – single-panel ceiling mounted 3445-12 – double-panel ceiling mounted	
standard system widths	2000; 2500; 3000 mm*	3000; 4000 mm*
dimensions running rail WxH	55 x 61,5 mm	55 x 61,5 mm
wall door spacing	Glas 20 mm / Holz mind. 5 mm glass 20 mm / wood min. 5 mm	Glas 20 mm / Holz mind. 5 mm glass 20 mm / wood min. 5 mm
door thickness	8-12,76 mm	8-12,76 mm
max. door width	1500 mm	1500 mm
max. door height	2800 mm	2800 mm
max. door weight	100 kg (with Softstopp) 80 kg (undamped)	100 kg (with Softstopp) 80 kg (undamped)
height adjustment	+/-3 mm	+/-3 mm
surface colors	E6EV1 (natural anodized) E6C35 (black matt anodized) E123 (stainless-steel optic)	E6EV1 (natural anodized) E6C35 (black matt anodized) E123 (stainless-steel optic)
Softstopp	✓	✓
motion cycles with Softstopp	≤ 50.000	≤ 50.000
motion cycles without Softstopp	≥200.000	≥200.000
wooden door	✓	✓



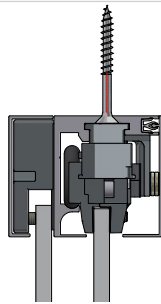
* only with Softstopp

order number example for: single-panel wall mounted with frame and Softstopp



Überblick – Einbausituationen

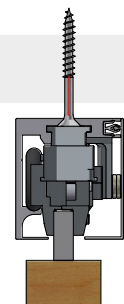
overview – installation situations



type **3443-11 – single-panel ceiling mounted** **3445-12 – double-panel ceiling mounted**
 + add-on side part 1x 3448-2 + add-on side part 1x 3448-2

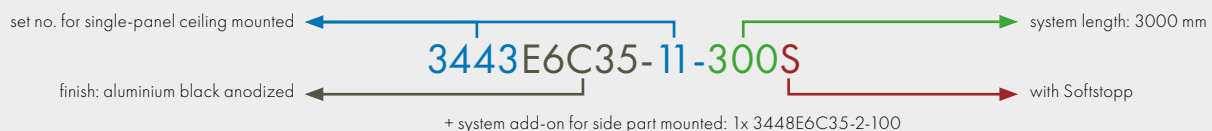
standard system widths	2000; 2500; 3000 mm*	3000; 4000 mm*
dimensions running rail WxH	55 x 61,5 mm	55 x 61,5 mm
wall door spacing	Glas 20 mm / Holz mind. 5 mm glass 20 mm / wood min. 5 mm	Glas 20 mm / Holz mind. 5 mm glass 20 mm / wood min. 5 mm
door thickness	8-12,76 mm	8-12,76 mm
max. door width	1500 mm	1500 mm
max. door height	2800 mm	2800 mm
max. door weight	100 kg (with Softstopp) 80 kg (undamped)	100 kg (with Softstopp) 80 kg (undamped)
height adjustment	+/-3 mm	+/-3 mm
surface colors	E6EV1 (natural anodized) E6C35 (black matt anodized) E123 (stainless-steel optic)	E6EV1 (natural anodized) E6C35 (black matt anodized) E123 (stainless-steel optic)
Softstopp	✓	✓
motion cycles with Softstopp	≤ 50.000	≤ 50.000
motion cycles without Softstopp	≥200.000	≥200.000

wooden door



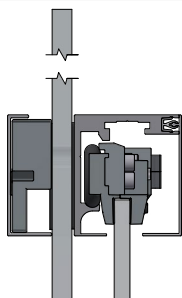
* only with Softstopp

order number example for: single-panel ceiling mounting with side panel and Softstopp

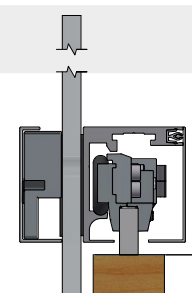


Überblick – Einbausituationen

overview – installation situations



type	3446-6 – single-panel glass mounted	3447-7 – double-panel glass mounted
standard system widths	2000; 2500; 3000 mm*	3000; 4000 mm*
dimensions running rail WxH	55 x 61,5 mm	55 x 61,5 mm
wall door spacing	Glas 20 mm / Holz mind. 5 mm glass 20 mm / wood min. 5 mm	Glas 20 mm / Holz mind. 5 mm glass 20 mm / wood min. 5 mm
door thickness	8-12,76 mm	8-12,76 mm
max. door width	1500 mm	1500 mm
max. door height	2800 mm	2800 mm
max. door weight	100 kg (with Softstopp) 80 kg (undamped)	100 kg (with Softstopp) 80 kg (undamped)
height adjustment	+/-3 mm	+/-3 mm
surface colors	E6EV1 (natural anodized) E6C35 (black matt anodized) E123 (stainless-steel optic)	E6EV1 (natural anodized) E6C35 (black matt anodized) E123 (stainless-steel optic)
Softstopp	✓	✓
motion cycles with Softstopp	≤ 50.000	≤ 50.000
motion cycles without Softstopp	≥200.000	≥200.000
wooden door	✓	✓

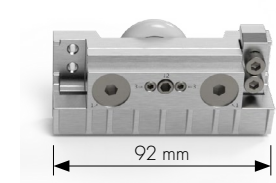
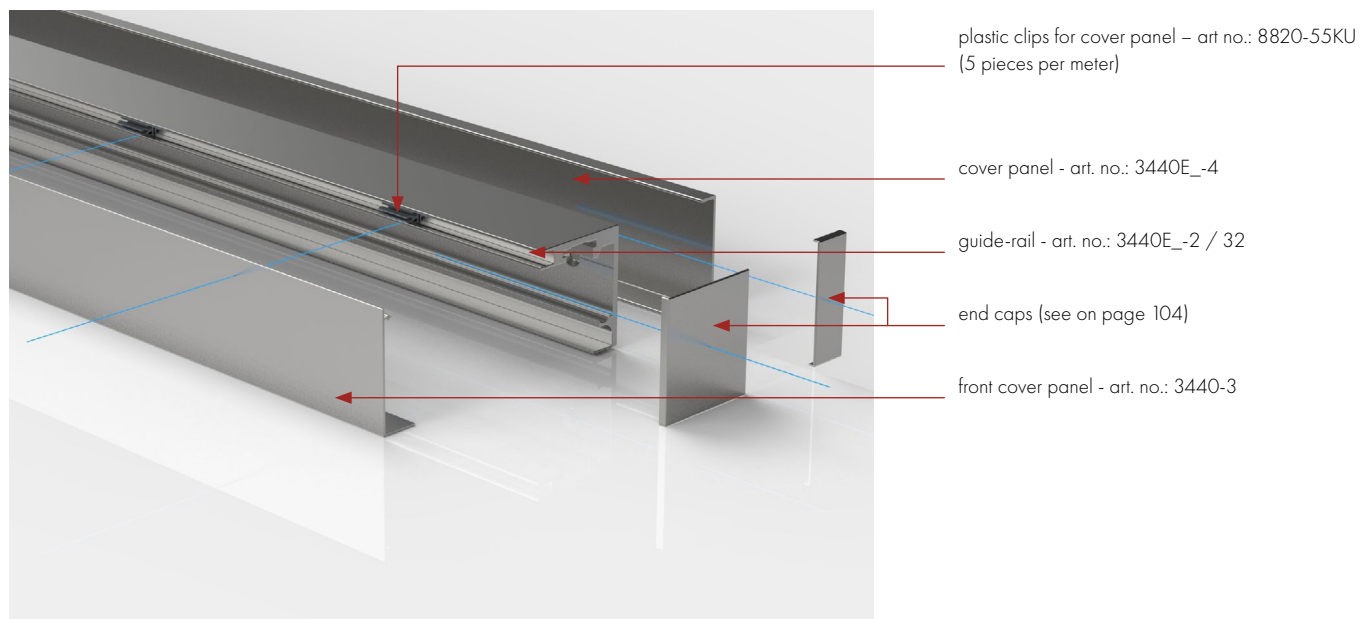


* only with Softstopp

order number example for: double-panel glass assembly with side panel/top light/side panel and Softstopp



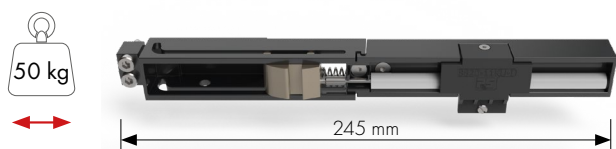
hardware components at a glance



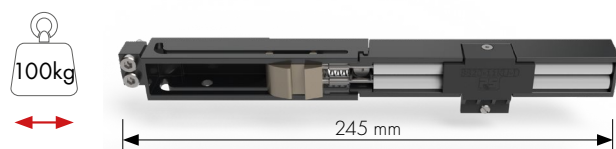
carriage until 50 kg – art no.: 8822ZN-LW



carriage until 100 kg – art no.: 3441ZN-LW100



Softstopp single-sided (50kg) - art no.: 3441RAL7016-SSD50*

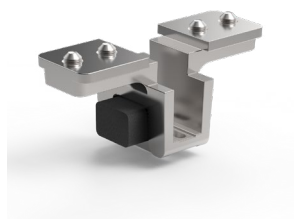


Softstopp single-sided (100kg) - art no.: 3441RAL7016-SSD100*

* combinable with all Softstopp from EVERYSpace showers



end-stop
art no.: 3441ZN-EA



door-stop
art no.: 3441ZN-MA



activator
art no.: 3441ZN-AT



shim plate for Softstopp, foldable, thickness 1 mm
art no.: 3440-9VA

side panel fasteners (profiles) and handles must be ordered separately (see page 104).

hardware components at a glance

system add-ons



frame spacer piece
art no.: 3441 ZN-ZA
included in add-on set 3448-3!

3448__-3-200/400

add-on set for frame mounting up to 2000/4000 mm system width

	content	article name
	1x 3441 ZN_-ABZA	cover-cap pair
	9x/18x 3441 ZNOP-ZA	frame adapter
	1x 3440-4_	cover profile 1997/3997 mm

add-on set must be ordered separately



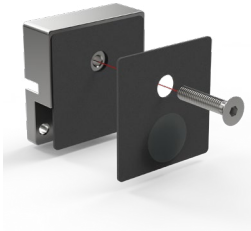
side panel clamping piece
art no.: 3441 ZN-SM
included in add-on set 3448-2!

3448__-2-100/200

add-on set for side panel up to 1000/2000 mm side panel width

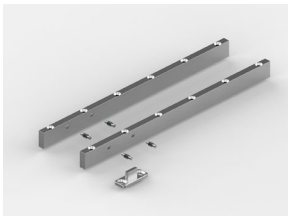
	content	article name
	1x 3440-4_	cover profile 1008/2008 mm
	3x/6x 3441 ZNOP-SM	side part clamping piece
	1x 3441 ZN_-ABST	cover cap side part
	2x/4x 3441 MAG-AB	magnet pair

add-on set must be ordered separately



glass mounting piece
art no.: 3441 ZN-GW

included in all sets with glass mounting ! for more information see page 105.



assembly set for wooden doors
art no.: 3441 VA-HT
length: 360 mm

3441 VA-HT

add-on set for wooden doors

	content	article name
	2 3440-48VA	adapter for wooden doors
	1 32021	floor guide for wooden doors
	2 S8745A2ISO4x16	safety studs

Add-on set must be ordered separately.

hardware components at a glance



end caps



end caps for wall mounting
art. no.: 3441 ZN-AW



end caps for ceiling mounting
art. no.: 3441 ZN-ABLS



cover caps for cover panel
art. no.: 3441 ZN-AB

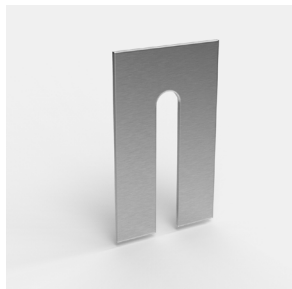


cover caps for front frame assembly
art. no.: 3441 ZN-ABZA

accessories for system



floor guide
art no.: 3441 ZN-BF



shim plate (PU: 10 pieces)
art no.: 3441 VA-AB



glass safety stud for the roller carriage
art no.: 2x KUSCHL4x6x6
2x S7A2D4x18



glass edge protection
art no.: 3441 KU-AS



EVERYSPACE
showers



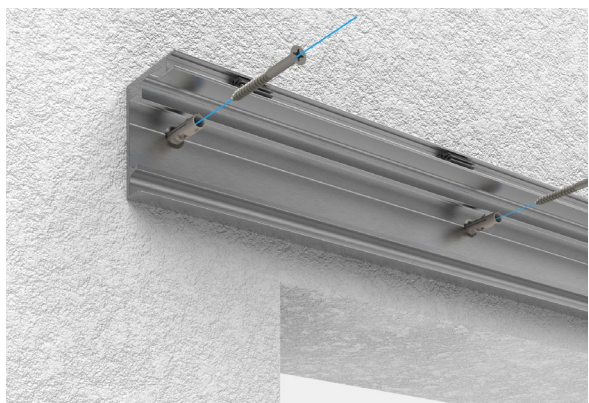
Many components can be combined with our shower sliding-door system EVERYSPACE showers.



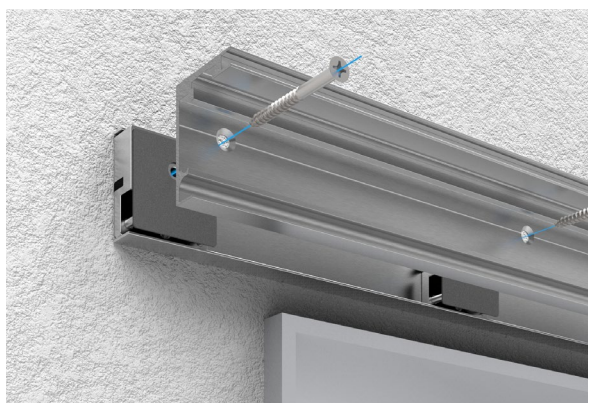
possible **mounting types**

wall mounting

Always use suitable mounting material when attaching the guide-rail to the wall/ceiling. when mounting on the wall we offer optional accessories for doors with frames (+23 mm).



without door frame with glass door



on door frame with glass door

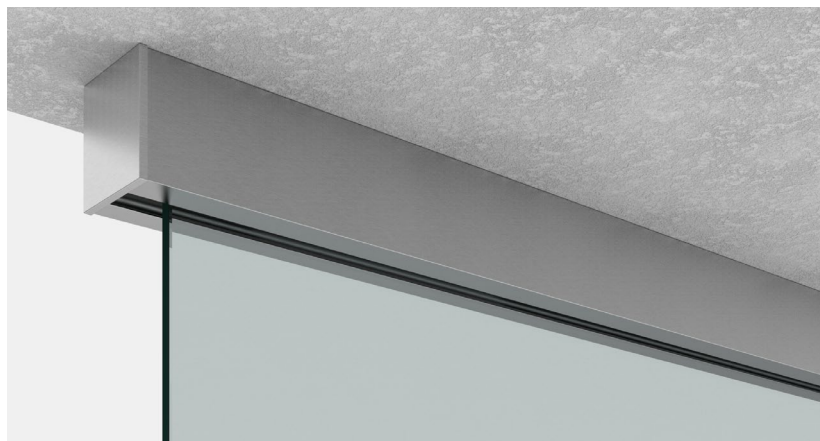
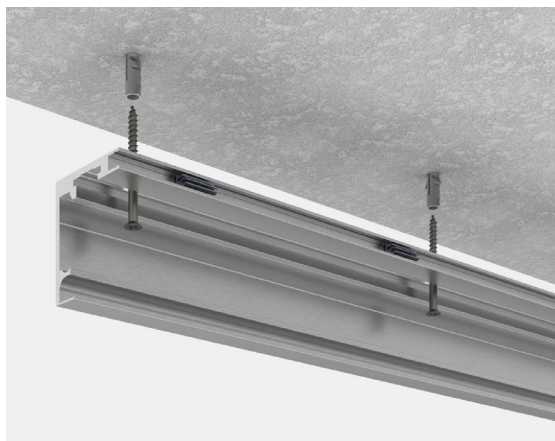


possible **mounting types**

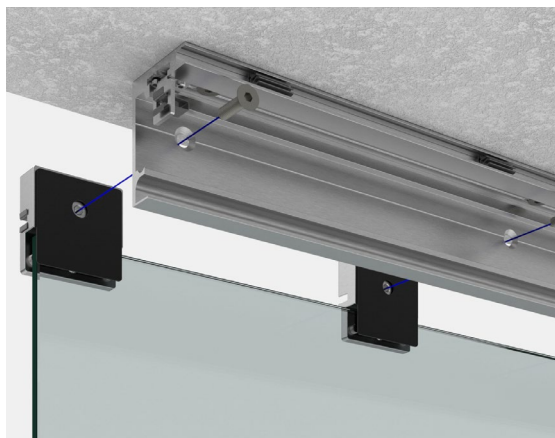


ceiling or jamb mounting

When mounting on the ceiling, we offer optional accessories for doors with side panels.



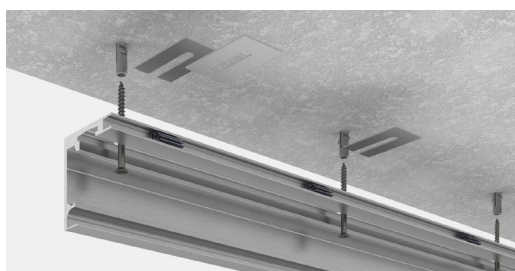
with glass door without side panel



with glass door and side panel

optional

In case of unevenness of the building structure, shims 3440VA-AB can be used (shim thickness 1 mm). The shims are suitable for ceiling and wall mounting.

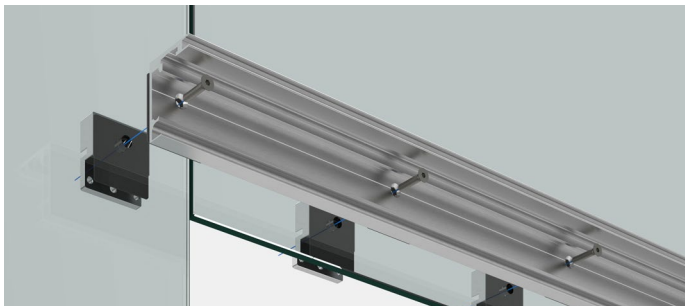


possible **mounting types**

glass mounted

For glass mounting, several brackets secure the guide-rail to the glass. side panels and skylights must be connected to the structure with suitable fastening material!
risk of injury!

For protection against metal-glass contact, please ensure that the Hartzell-gaskets are correctly positioned in the guide-rail and that plastic tubes are inserted in the glass holes. Hartzell-gaskets and plastic tubes are included in the set.



glass mounted with glass door

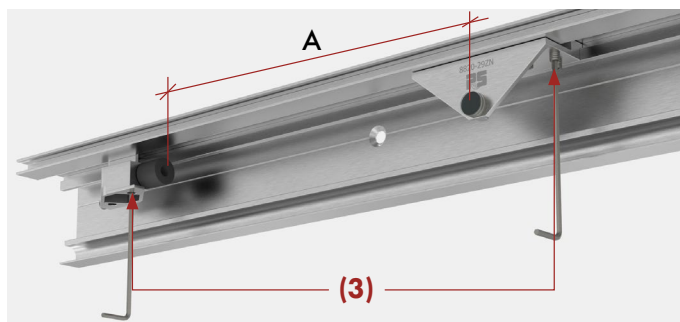


mounting and assembly



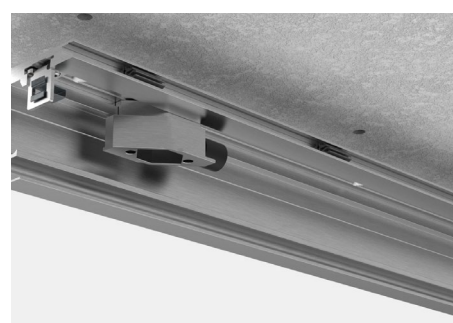
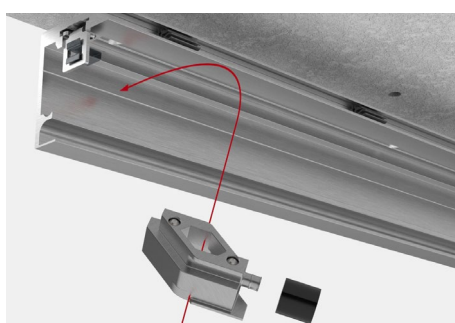
insertion of the **end stops and activators**

The end stop and the activator are turned into the guide-rail on the left and right. The exact distance (A) between the activator and the end stop is to be established. (front edge of the rubber-buffer to the center of the activator).
 50 kg roll-carriage: 182 mm, 100 kg roll-carriage: 276 mm



twist-in stopper in the guide-rail – **flexible distance dimensions**

The twist-in stopper is suitable for limiting door movement at any point within the profile, e.g. obstacles on the floor or wall. Detach the rubber before installation. Then rotate the door-stop into the the guide-rail and reattach the rubber.



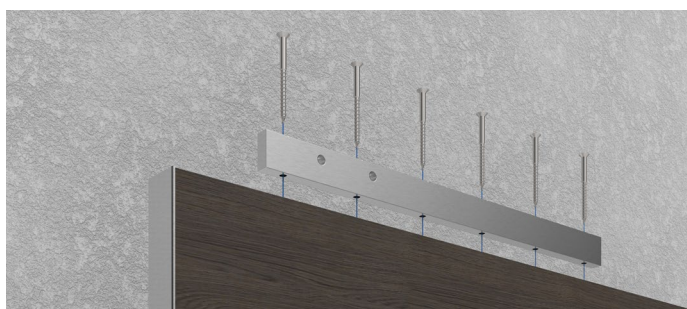
mounting and assembly

mounting the floor guide

The innovative floor guide allow for an almost play-free adjustment of the glass thickness. This reduces noise enormously.



mounting with glass door

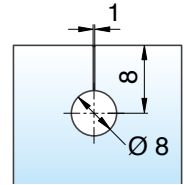
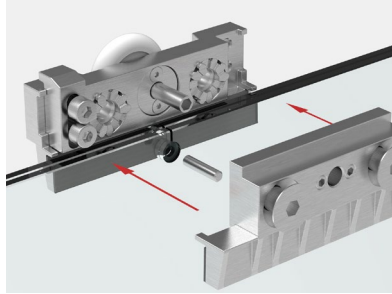
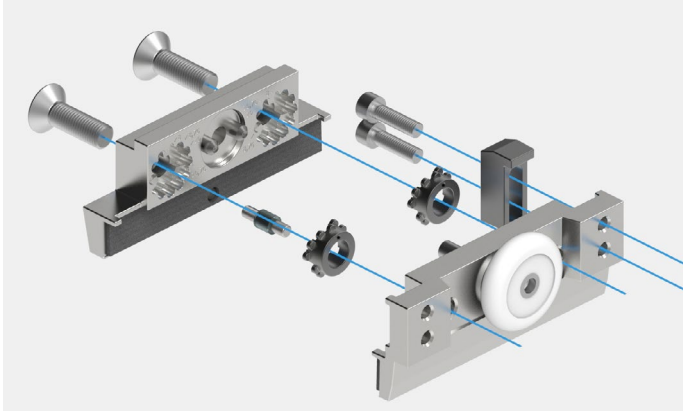


mounting with wooden door

mounting and assembly

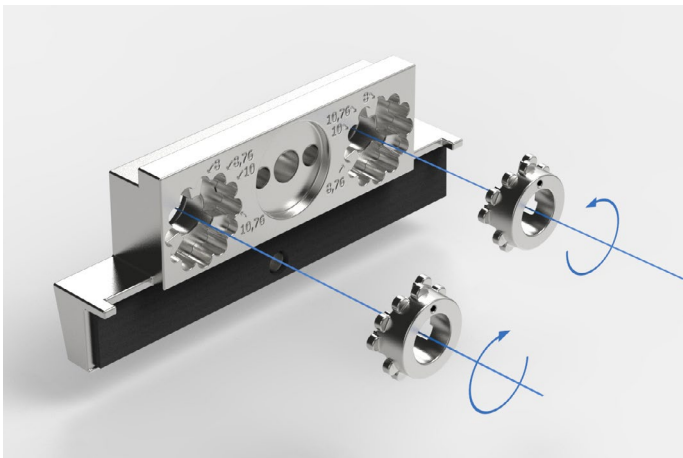


Montage des Laufwagens
assembly of the roll-carriage



As an option, it is possible to install a safety stud in both carriages.
glass safety studs in the roll-carriage
art no.: 2x KUSCHL4x6x6 / 2x S7A2D4x18

8822ZNOP-LW



marking on the glass setting crown
Example: 8 mm glass

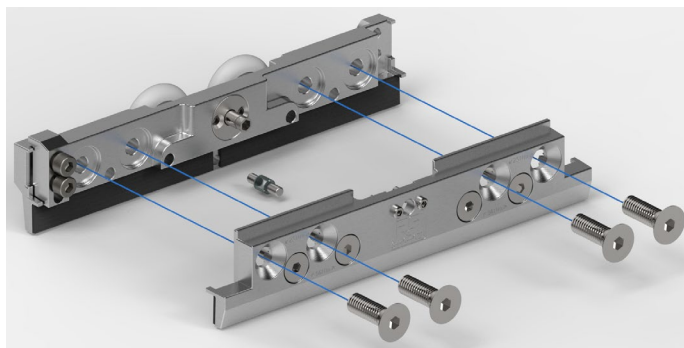


Die Glaseinstellkronen entsprechend der Glasdicke positionieren.
Es können vier verschiedene Glasstärken gewählt werden:
8 mm | 8,76 mm | 10 mm | 10,76 mm

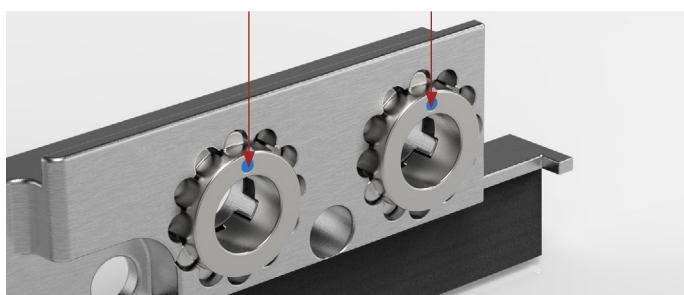
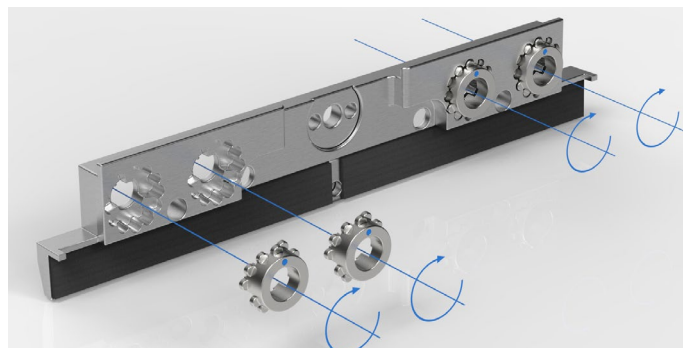
Position the glass adjustment crowns according to the glass thickness.
Four different glass thicknesses can be selected:
8 mm | 8.76 mm | 10 mm | 10.76 mm

mounting and assembly

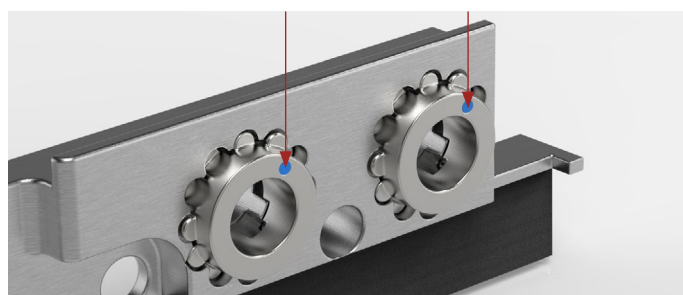
Montage des Laufwagens
assembly of the roll-carriage



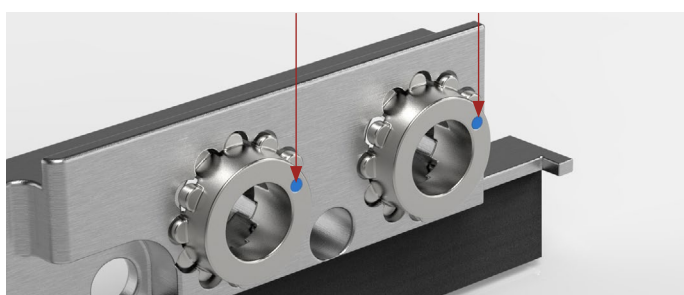
3441 ZNOP-LW100



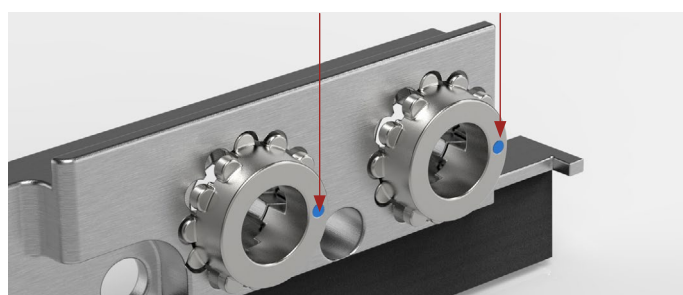
mark at 12 o'clock position 8 mm



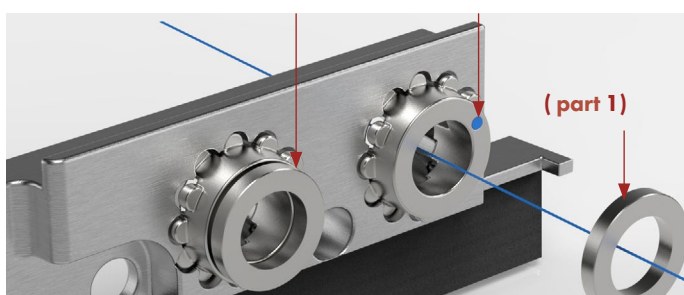
mark at 1 o'clock position 8.76 mm



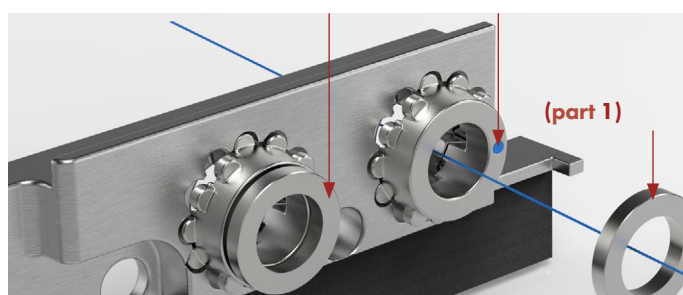
mark at 2 o'clock position 10 mm



mark at 3 o'clock position 10,76 mm



mark at 2 o'clock + spacer ring (part 1) 12mm



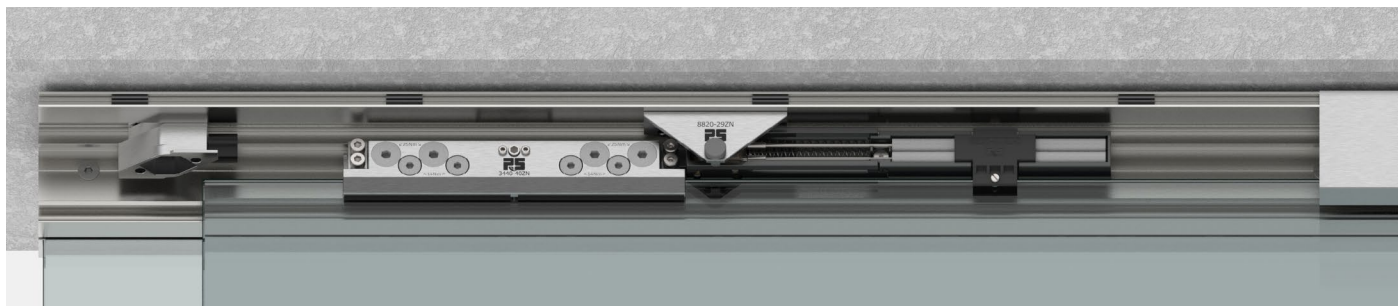
mark at 3 o'clock + spacer ring (part 1) 12.76 mm

mounting and assembly

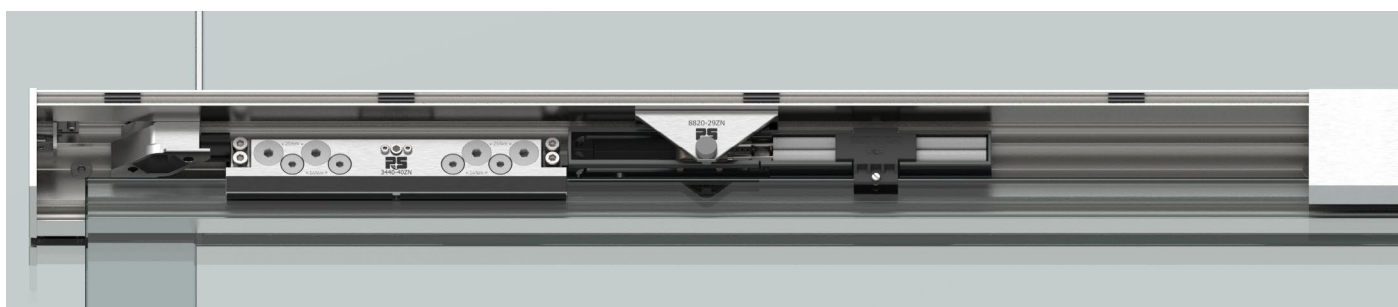


function of the **softstopp**

Our softstopp system features a **two-chamber hydraulic damper** with optimal damping characteristics. With an additional and **flexible adjustable door-stop**, you can accommodate special requirements or structural conditions.



example ceiling mounted with tensioned spring in the Softstopp



example of glass mounting with relaxed spring in the Softstopp (rested position)



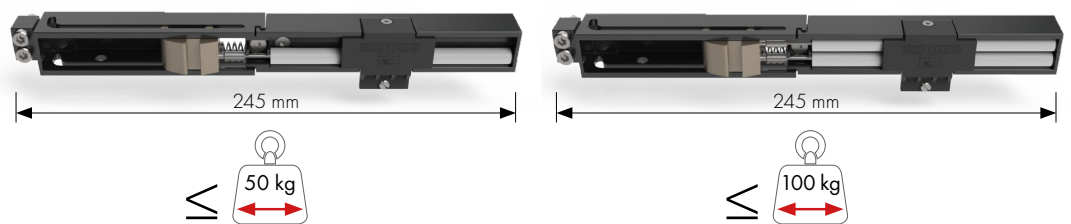
Download catalogue
EVERYSpace interior
 sliding door system



mounting and assembly

function of the **Softstopp**

Operating principle: Activator is fixed in the guide-rail and takes the springs with it when opening and closing. **Note:** For narrower doors, there is the double-acting Softstopp 3441RAL7016-SSDD. door widths from 460 mm can be damped on both sides.

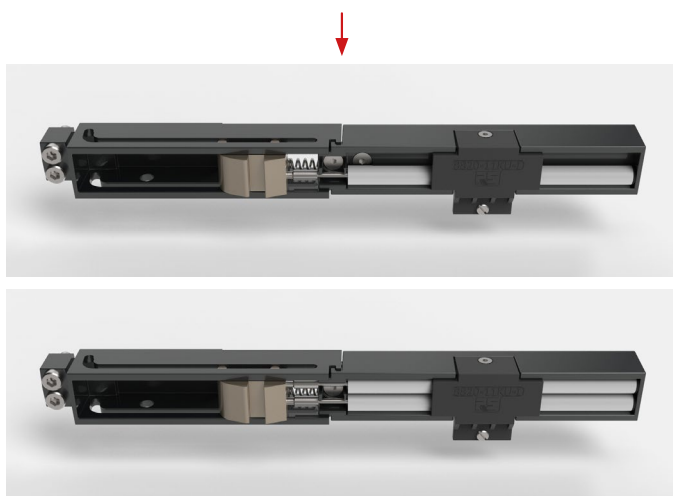


art. no.	3441RAL7016-SSD50	3441RAL7016-SSD100
door width	from 725 mm	from 915 mm (in combination with heavy duty roll carriage)
Softstopp-Variante	single softstopp for large doors	single Softstopp for large doors
Softstopp-Variante		

Assembly note: When hanging the door panels, all springs must be loaded.

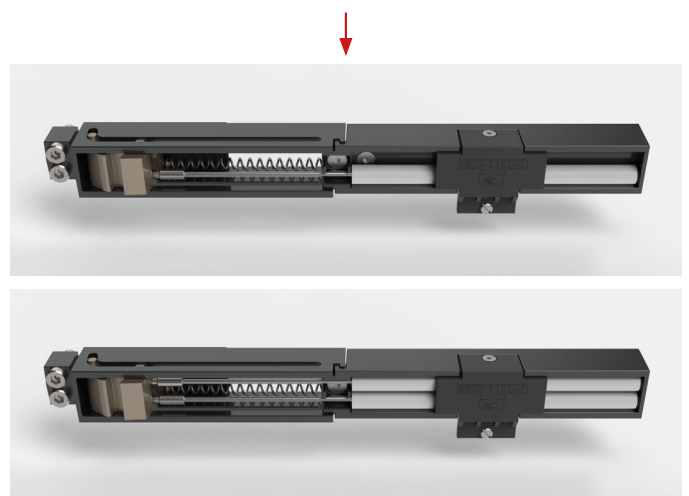
Softstopp is in the resting position

Activator has not tensioned the spring.



Softstopp is activated

activator loads the spring, is unhooked and the spring remains loaded.



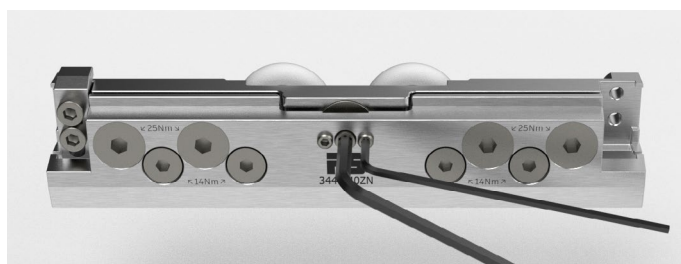
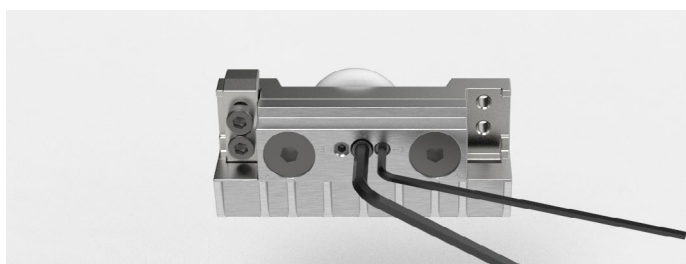
Spring adapter for reducing spring preload on lighter doors can be ordered individually. 8822MS-FA (PU: 2 pieces)

mounting and assembly

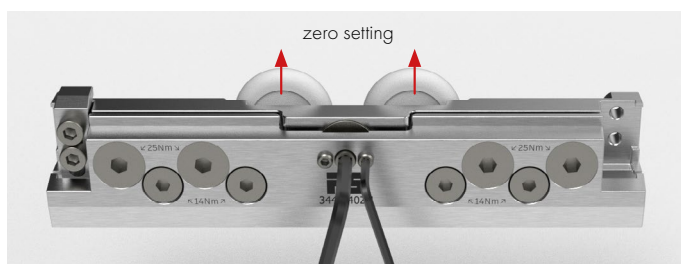
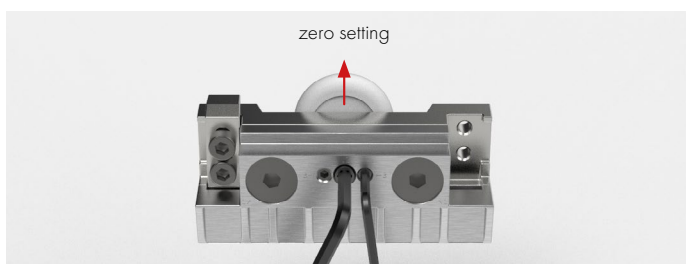


height adjustment

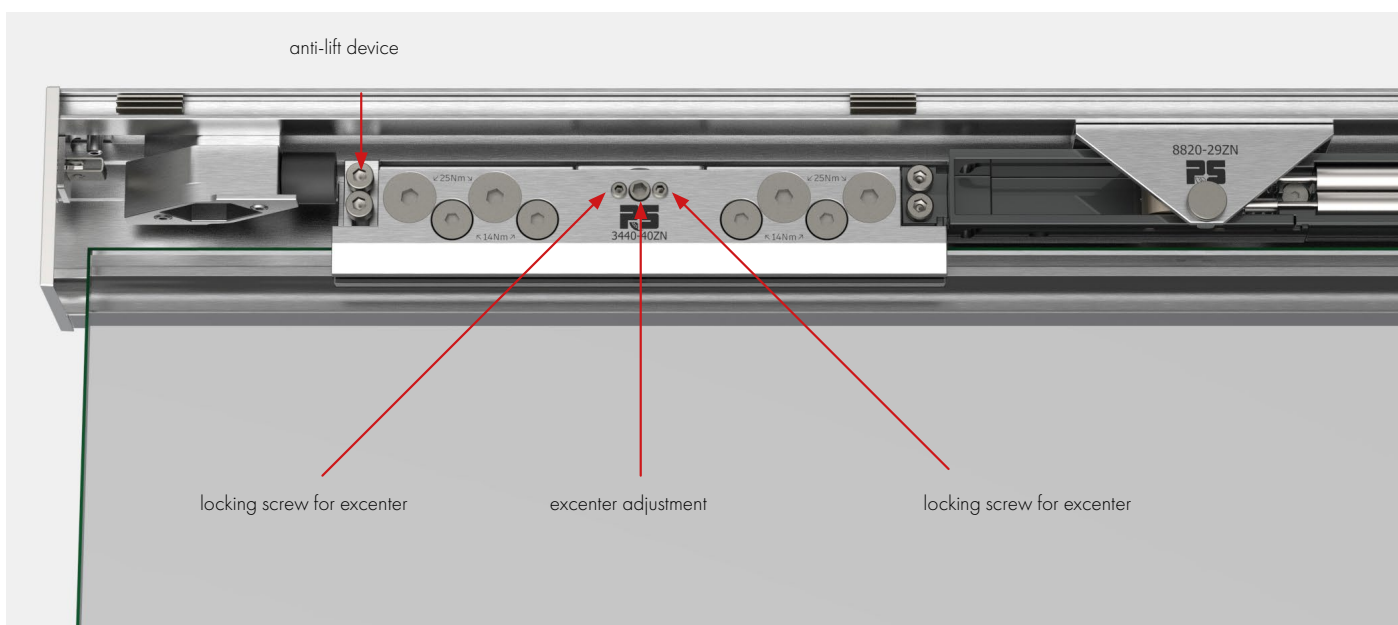
lowest level of the rollers



highest level of the rollers

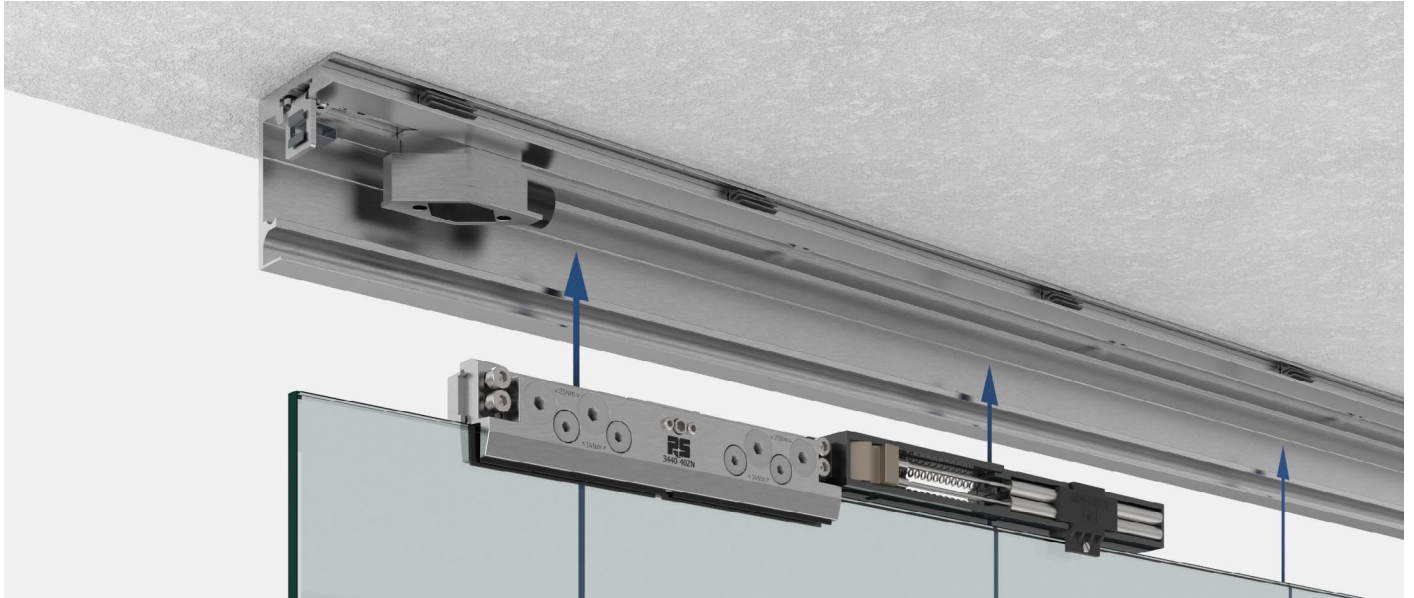


anti-lift device



mounting and assembly

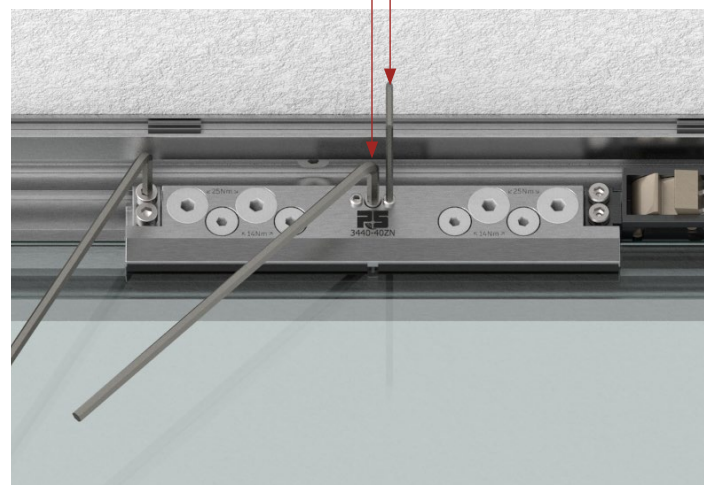
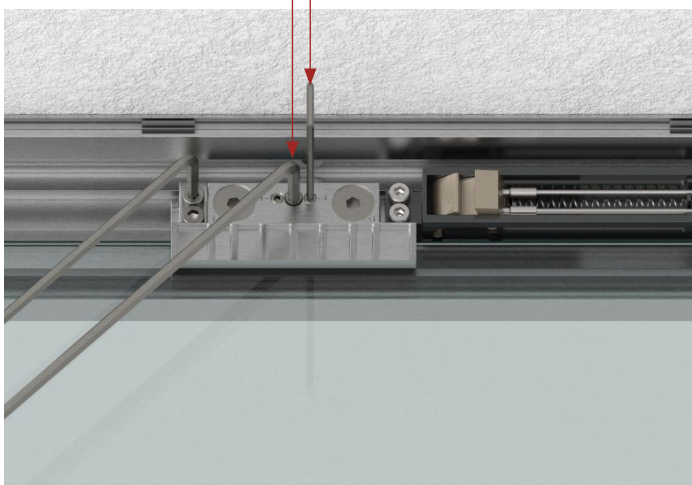
aligning the door



When hanging the door, make sure that the guide-rail and the rollers are cleaned before hanging the door. After aligning the door by adjusting the eccentrical wheels, the roll-carriages must be secured.

Secure after setting!

eccenter +/-3 mm

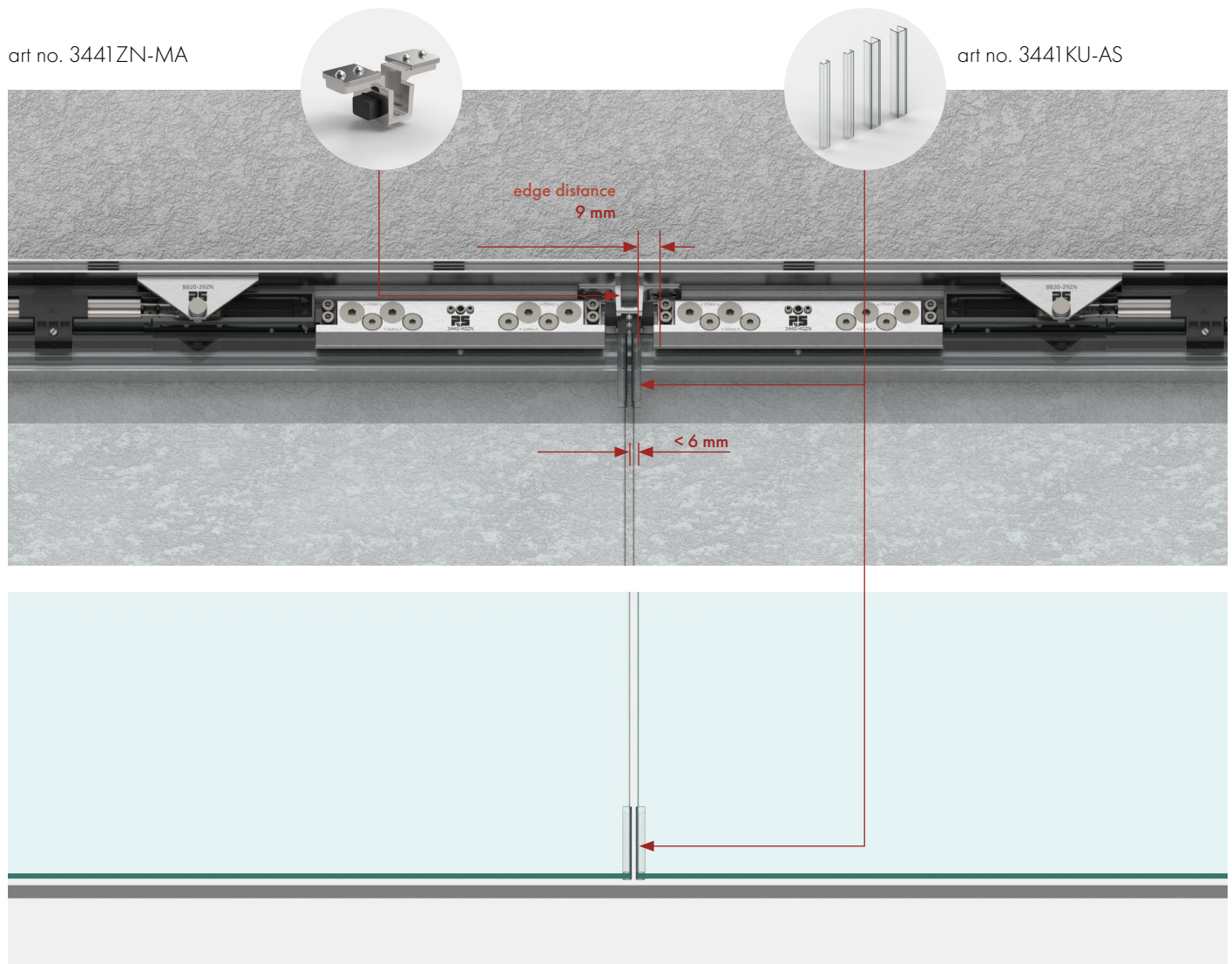


mounting and assembly



two-panel systems

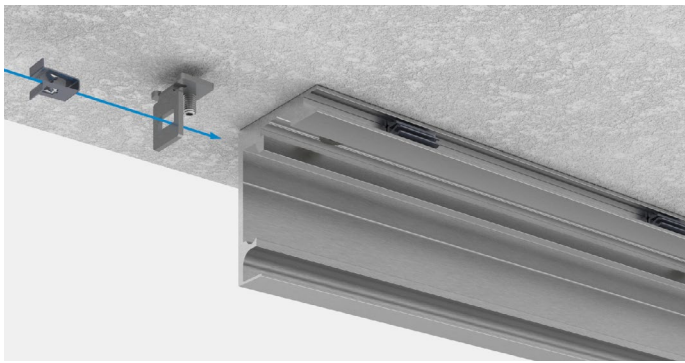
For two-panel systems, a minimum distance of 6 mm must be maintained in order to avoid a collision of the glass! Please use our glass edge protection: 3441KU-AS (included in the set).



mounting and assembly

different cover caps for different mounting types

Different end caps are included in the set for each type of mounting. the assembly is the same in all cases and very simple:



Fasten the small mounting bracket and the sheet metal clamp in the system guide-rail and attach the cover cap.

additional magnetic cover mounts



magnets on activator

article overview

single-panel wall mounting



art. no.	article name
3442__-1-200	EVERYSPACE , single-panel wall mounting 2000 mm system length, without Softstopp
3442__-1-200S	EVERYSPACE , single-panel wall mounting 2000 mm system length, with Softstopp double-sided
3442__-1-250	EVERYSPACE , single-panel wall mounting 2500 mm system length, without Softstopp
3442__-1-250S	EVERYSPACE , single-panel wall mounting 2500 mm system length, with Softstopp double-sided
3442__-1-300S	EVERYSPACE , single-panel wall mounting 3000 mm system length, with Softstopp double-sided

single-panel ceiling mounting



art. no.	article name
3443__-11-200	EVERYSPACE , single-panel ceiling mounting 2000 mm system length, without Softstopp
3443__-11-200S	EVERYSPACE , single-panel ceiling mounting 2000 mm system length, with Softstopp double-sided
3443__-11-250	EVERYSPACE , single-panel ceiling mounting 2500 mm system length, without Softstopp
3443__-11-250S	EVERYSPACE , single-panel ceiling mounting 2500 mm system length, with Softstopp double-sided
3443__-11-300S	EVERYSPACE , single-panel ceiling mounting 3000 mm system length, with Softstopp double-sided

double-panel wall mounting



art. no.	article name
3444__-4-300	EVERYSPACE , double-panel wall mounting 3000 mm system length, without Softstopp
3444__-4-300S	EVERYSPACE , double-panel wall mounting 3000 mm system length, with Softstopp double-sided
3444__-4-400	EVERYSPACE , double-panel wall mounting 4000 mm system length, without Softstopp
3444__-4-400S	EVERYSPACE , double-panel wall mounting 4000 mm system length, with Softstopp double-sided

double-panel ceiling mounting



art. no.	article name
3445__-12-300	EVERYSPACE , double-panel ceiling mounting 3000 mm system length, without Softstopp
3445__-12-300S	EVERYSPACE , double-panel ceiling mounting 3000 mm system length, with Softstopp double-sided
3445__-12-400	EVERYSPACE , double-panel ceiling mounting 4000 mm system length, without Softstopp
3445__-12-400S	EVERYSPACE , double-panel ceiling mounting 4000 mm system length, with Softstopp double-sided

article overview

**single-panel glass mounting
with side panel/transom/side panel**



art. no.	article name
3446__-6-200	EVERYSPACE, single-panel glass mounting 2085 mm system length, without Softstopp
3446__-6-200S	EVERYSPACE, single-panel glass mounting 2085 mm system length with Softstopp double-sided
3446__-6-250	EVERYSPACE, single-panel glass mounting 2535 mm system length, without Softstopp
3446__-6-250S	EVERYSPACE, single-panel glass mounting 2535 mm system length with Softstopp double-sided
3446__-6-300S	EVERYSPACE, single-panel glass mounting 2985 mm system length with Softstopp double-sided

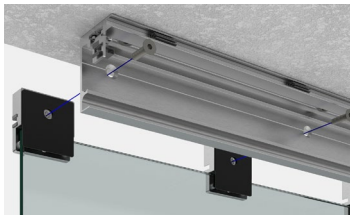
**double-panel glass mounting
with side panel/transom/side panel**



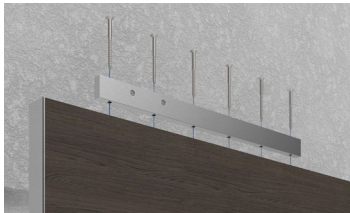
art. no.	article name
3446__-6-300	EVERYSPACE, double-panel glass mounting 2985 mm Systemlänge, ohne Softstopp
3447__-6-300S	EVERYSPACE, double-panel glass mounting 2985 mm system length with Softstopp double-sided



3448_-3-200
3448_-3-400
add-on set for frame mounting up to 2000/4000 mm system width



3448_-2-100
3448_-2-200
add-on set for side panel up to 1000/2000 mm side panel width



3441VA-HT
add-on set for wooden doors



aluminium anodized stainless-steel optic (E123)

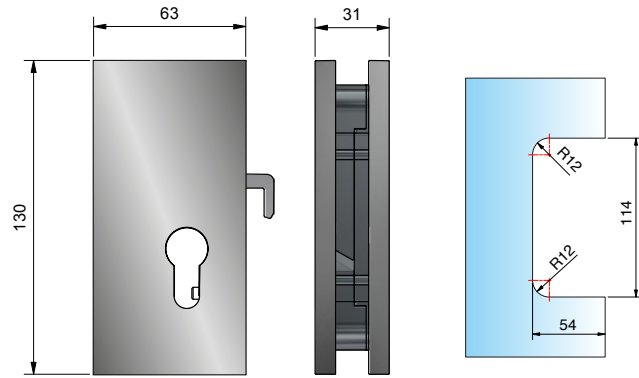
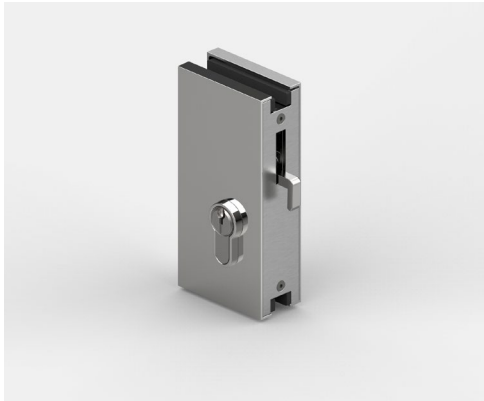


aluminium silver anodized (E6EV1)

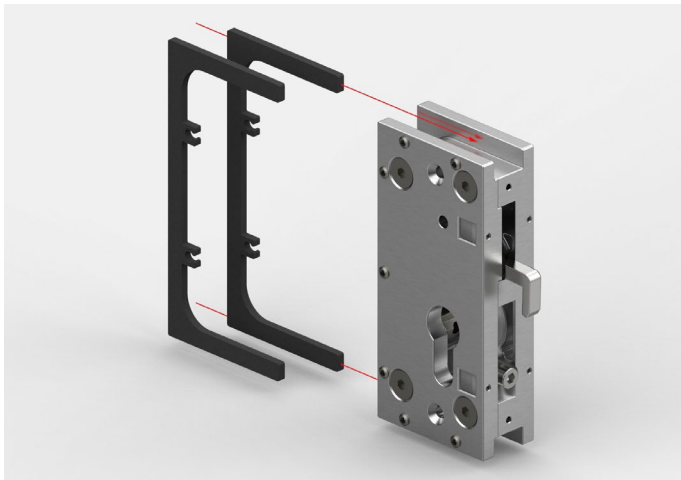


aluminium black anodized (E6C35)

accessories



article no.	finish	glass thickness	article description	features	pu/pcs
3441ZN5-SAG	gloss chrome	8 - 12,76 mm	glass door lock	handles can be mounted on both sides, Lock	1/1
3441ZN1-SAG	matt chrome			rosette self-adhesive	
3441ZN22-SAG	stainless-steel optic				
3441ZN135-SAG	deep black matt				



Please also order the corresponding contact material-sets!



lock cylinder
21/21
21/0

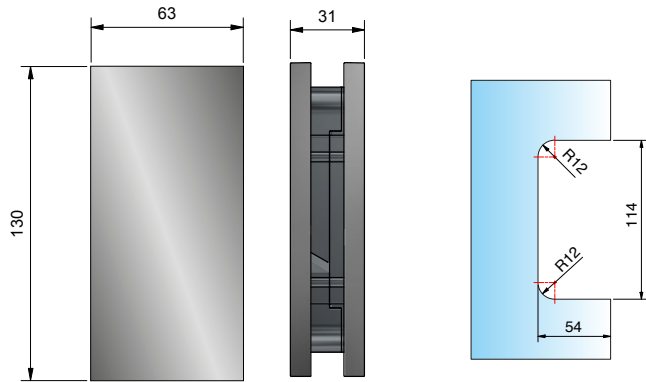
article no.	article description	pu/pcs
3441MS-SZ	euro short cylinder	1/1
3441MS-SZH	euro half cylinder	



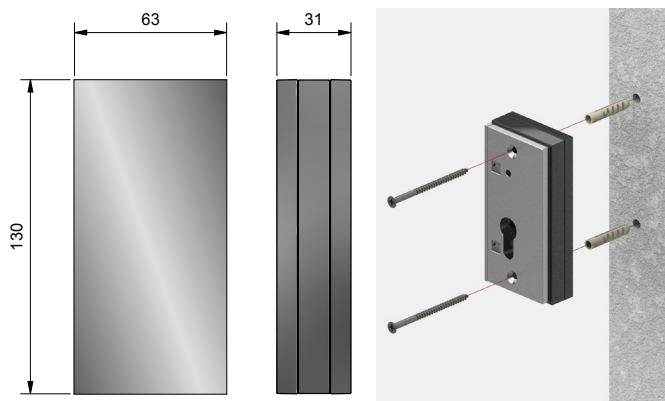
article no.	glass thickness	contact material	pu/pcs
HX-SET11	8 - 12,76 mm	Set 11	1/1
HX-SET12	10 - 10,76 mm	Set 12	
HX-SET13	12 - 12,76 mm	Set 13	

article no.	finish	article description	pu/pcs
3441ZN5-RS	gloss chrome	Schlossrosette lock rosette	1/1
3441ZN1-RS	matt chrome		
3441ZN22-RS	stainless-steel optic		
3441ZN135-RS	deep black matt		

accessories



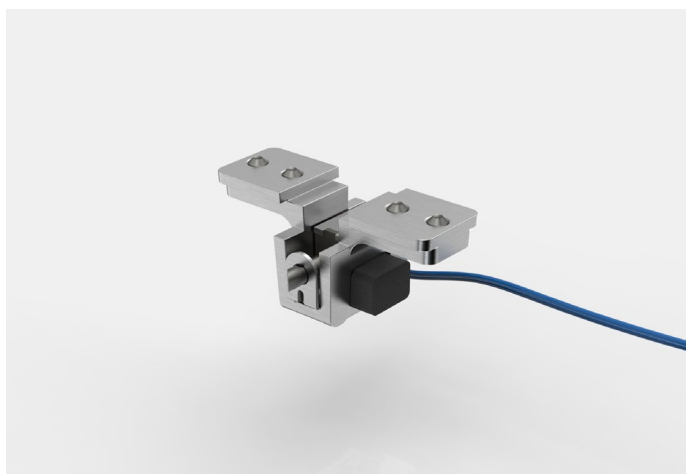
article no.	finish	glass thickness	article description	pu/pcs
3441ZN5-GKAG	gloss chrome	8 - 12,76 mm	lock counter-box for glass mounting	1/1
3441ZN1-GKAG	matt chrome			
3441ZN22-GKAG	stainless-steel optic			
3441ZN135-GKAG	deep black matt			



article no.	finish	glass thickness	article description	pu/pcs
3441ZN5-GKAW	gloss chrome	8 - 12,76 mm	lock counter-box for wall mounting with concealed holes	1/1
3441ZN1-GKAW	matt chrome			
3441ZN22-GKAW	stainless-steel optic			
3441ZN135-GKAW	deep black matt			



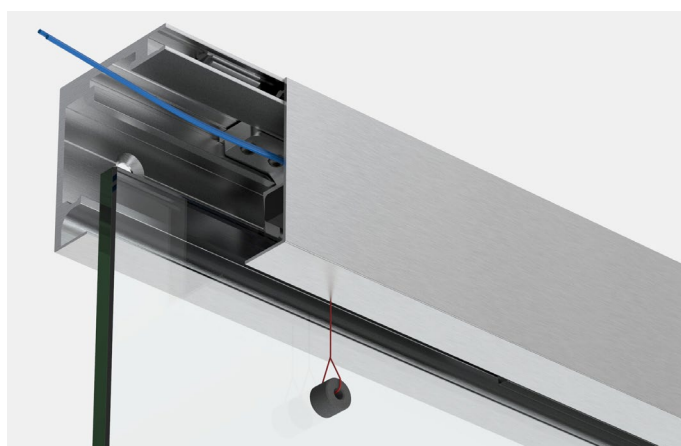
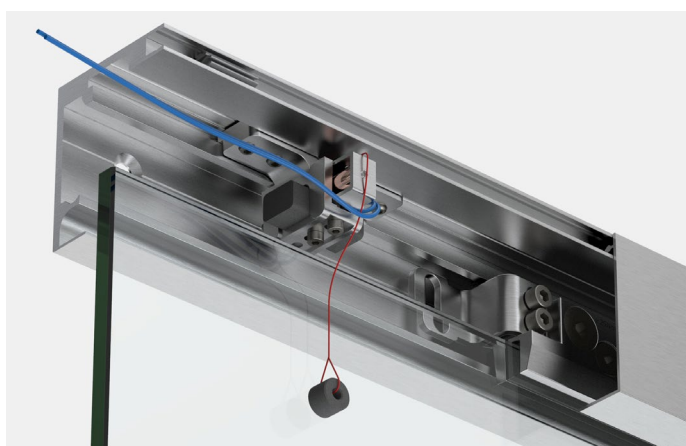
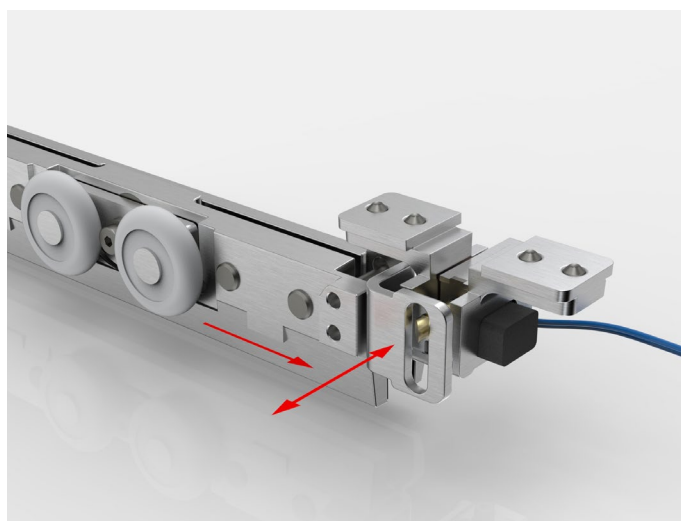
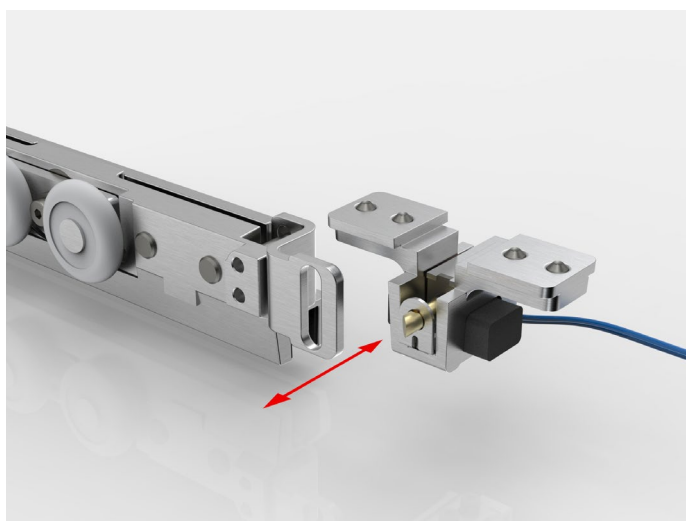
accessories



features

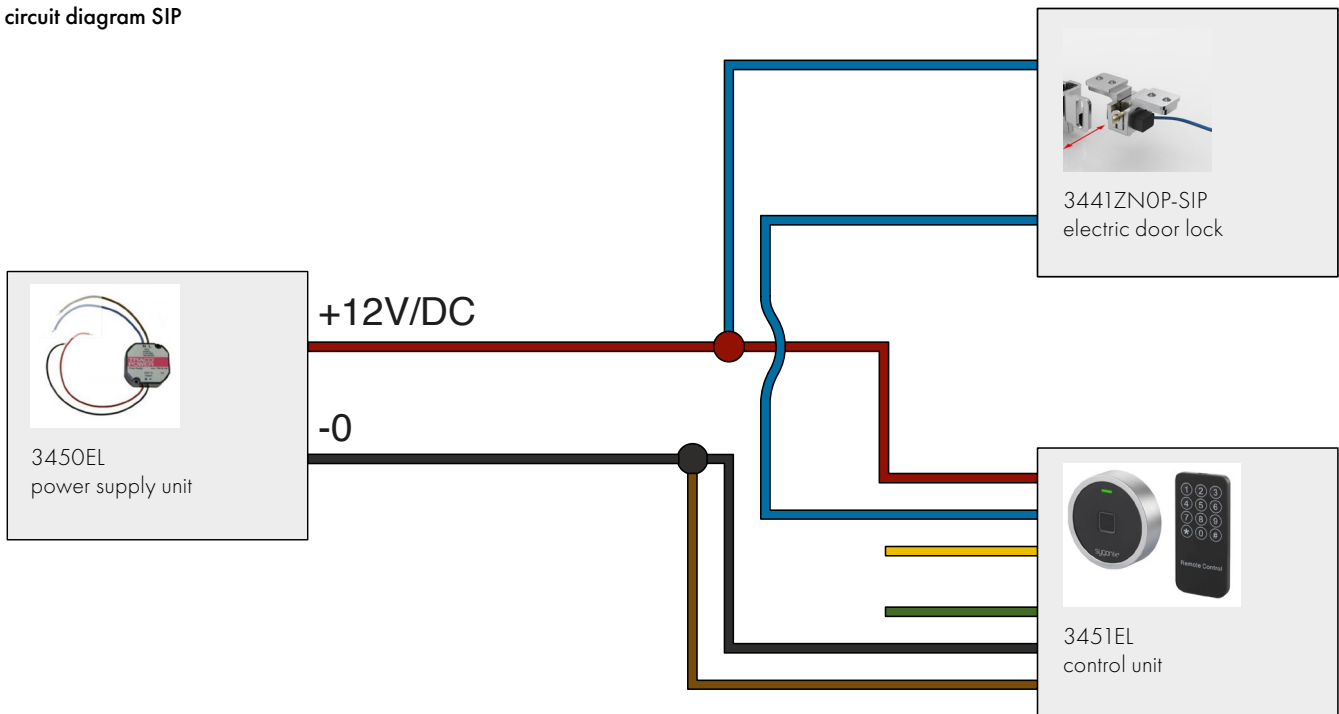
- infinitely adjustable to compensate for construction tolerances
- can be used on the left or right side
- can be controlled by common Smarthome, controllers, motion detectors, light barrier, push button, RFID, fingerprint etc.
- no power consumption in closed state - only during opening impulse
- electronic lock can **only** be installed with Softstopp- emergency release
- behind the panel (see pictures) in case of power failure

article no.	article description	pu/pcs
3441ZNOP-SIP	electric door lock	1/1



accessories

circuit diagram SIP



article no.	article description	pu/pcs
3450EL	power supply flush mount transformer 12V	1/1

article no.	article description	pu/pcs
3451EL	control for lock, fingerprintor RFID (transponder)	1/1



article no.	article description	pu/pcs
3452EL	transponder for art. no.: 3451EL	1/1

accessories

door handle **no glass hole** necessary, self-adhesive



art no.:
8822E6EV1-MG
8822MSPVD35-MG
8822VA-MG



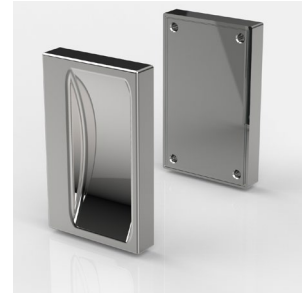
art no.:
8822MS10-SG-250
8822MSPVD22-SG-250
8822MSPVD35-SG-250



art no.:
8822MS10-SG-400
8822MSPVD22-SG-400
8822MSPVD35-SG-400



art no.:
8822ZN1-MGH
8822ZNPVD22-MGH
8822ZN135-MGH

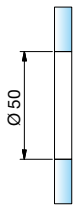


art no.:
8822ZN1-MGV
8822ZNPVD22-MGV
8822ZN135-MGV

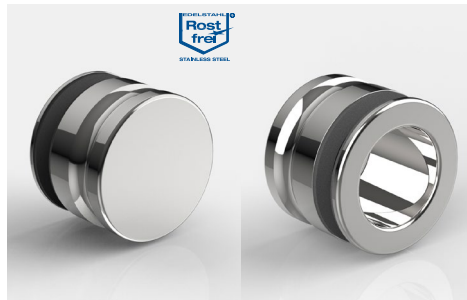
door handle **glass hole** necessary



art no.:
8514VA

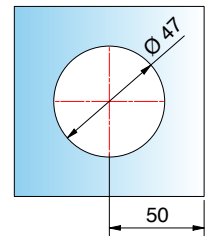


art no.:
8371MS10
8371MSPVD22
8371MSPVD35

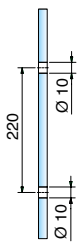


art no.:
8822VA-MGE

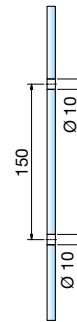
Innenseite mit Griffmulde
Inner side with recess



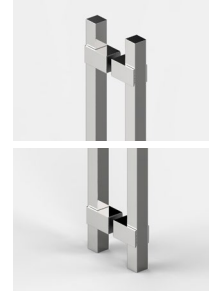
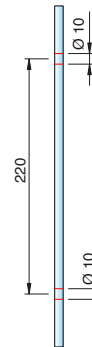
art no.:
8277ZN1-A
8277ZNPVD22-A
8277ZNPVD35-A
8277ZN135-A



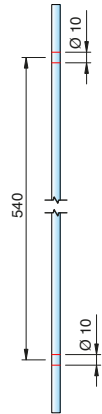
art no.:
8060VA-200
8060VA1-200



art no.:
8370ZN1-320
8370ZNPVD22-320
8370ZNPVD35-320



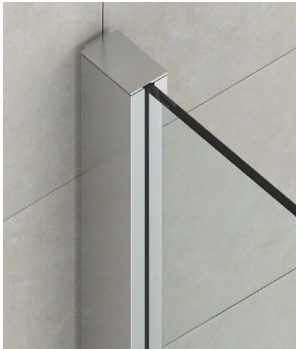
art no.:
8370ZN1-640
8370ZNPVD22-640
8370ZNPVD35-640



Further technical information can be found in our current „world of showers“ catalog or at pauli.de.

accessories

side-panel fastening



15x15x2500x2 mm
15x15x5000x2 mm



20x17x5000x2 mm



20x20x2500x2 mm
20x20x5000x2 mm

art no.:
8884E1/23-2010-8
8884E6EV1-2010-8
8884E1/23-2500-8
8884E6EV1-2500-8

art no.:
5015VA1-2500
5015VA2-2500
5015E6C35-2.5M
5015VA1-5M
5015VA2-5M
5015E6EV1-5M
5015E1/23-5M
5015E6C35-5M

art no.:
5017E6EV1-5M
5017E1/23-5M

art no.:
5020VA1-2500
5020VA2-2500
5020VA1-5M
5020VA2-5M
5020E6EV1-5M
5020E1/23-5M
5020E6C35-5M

installation aids



installation aid for handles
art no.: 8822KU-ML



torque wrench with setting scale (2,5–25 Nm), automatic triggering
art no.: 8001ST8

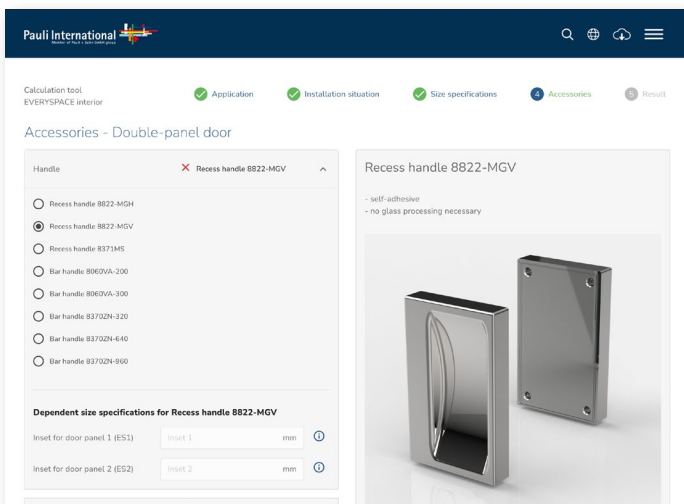
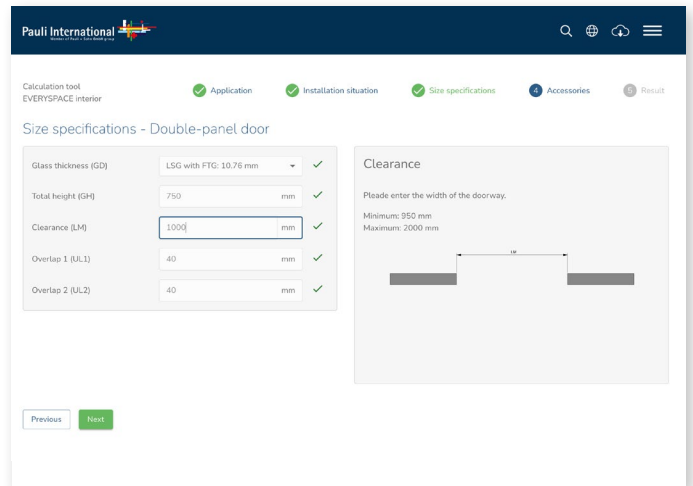
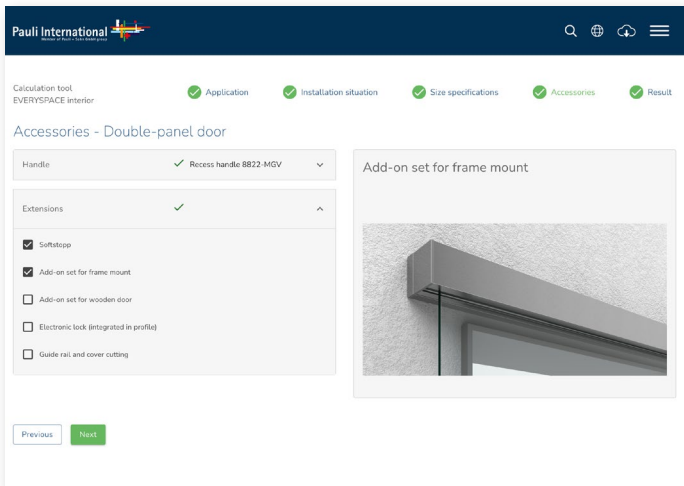
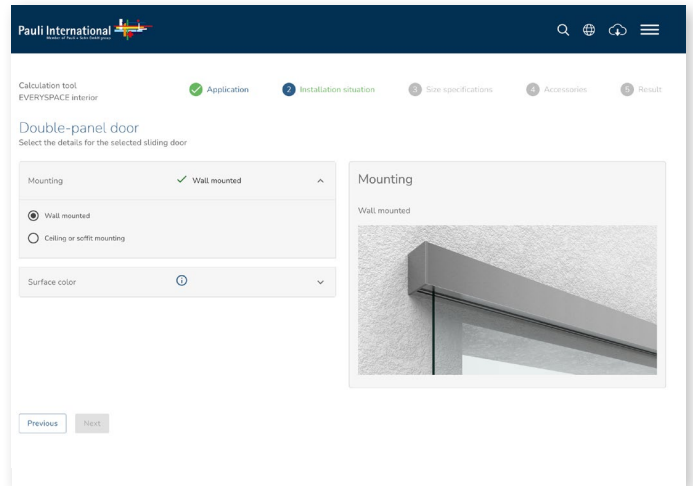
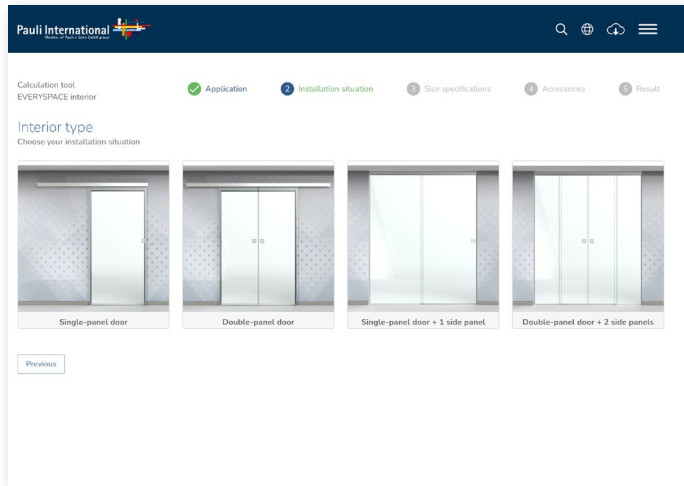
Further technical information can be found in our current „world of showers“ catalog or at pauli.de.

our **service**

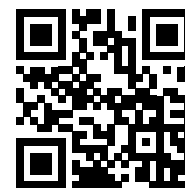


glass calculation

Use our new planning tool at www.pauli.de for the calculation of glass sizes. Need more help? We can support you in every phase of your project. Just give us a call – 02291 9206 0.



Pauli Cloud



care instructions



cleaning instructions

The hardware may only be wiped with warm water and a soft cloth (e.g. microfiber) and dried if necessary.

Sharp, aggressive, alkaline or cleaners containing chlorine, scouring agents (e.g. steel wool) or solvents are not permitted. For heavier contamination (lime, grease, soap stains) we recommend our special cleaning agent «Gentle Care» for hardware.



art. no.

article name

8203CTP

gentle care

cleaning product for shower fixtures,
content 250 ml

description

- special cleaner for the care of high-quality hardware and all metal surfaces
- for refined surfaces
- gentle cleaning and easy application
- reliably removes lime, grease and soap stains

application

Apply some gentle care to a soft, damp cloth and rub the surface to be cleaned without pressure. After a short reaction time, rinse thoroughly with clear water. Then polish with a soft, dry cloth. Repeat the process for stubborn incrustations.



technical **summary**

EVERYSPACE

sliding door system for interior design

materials

- guide-rail made of high-strength aluminum alloy
- hardware and attachments made of solid, high-quality zinc die-cast
- rollers made of robust fiberglass-reinforced polyamide

surfaces

aluminium anodized stainless-steel optic
aluminium silver anodized
aluminium black anodized

system features

- single or double panel doors possible
- modular construction
- easy to install and maintain
- single-sided dampening unit (incl. retraction function)
- guide-rail fastening without glass holes
- simple height adjustment (± 3 mm)
- with patent-pending glass thickness adjustment
- door panel easy to hang in place
- floor guide is separable for easy installation and cleaning
- bonding handles with optimized adhesive force, therefore no glass processing necessary (other handles are also available on request)

glass thickness

FTG: 8 and 10 mm
LSG with FTG: 8,76 / 10,76 / 12,76 mm

maximum door weight

100 kg (mit Softstopp)
80 kg (ungedämpft)

maximum system height

2800 mm

maximum door panel width

1500 mm

minimum door panel width

400 mm

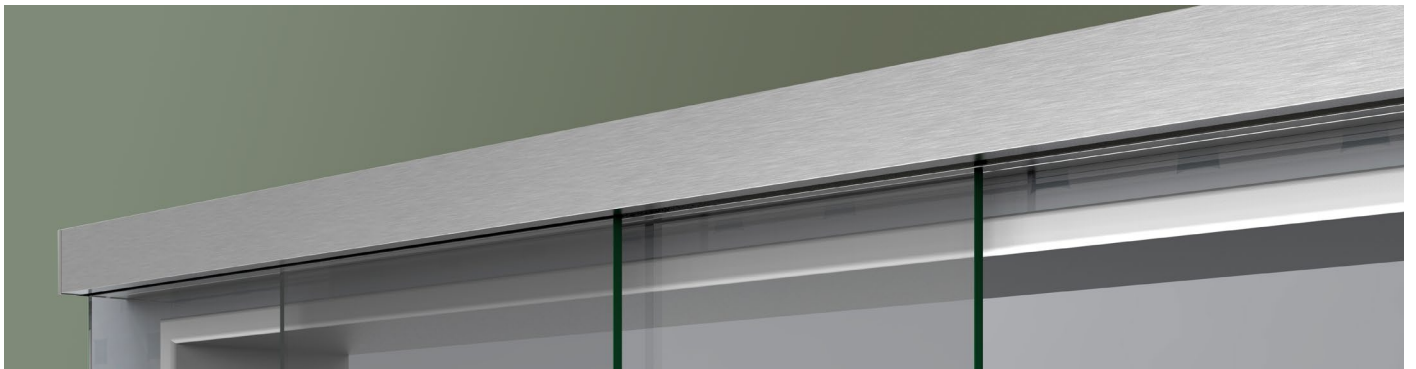
aspect ratio

maximum 5 : 1

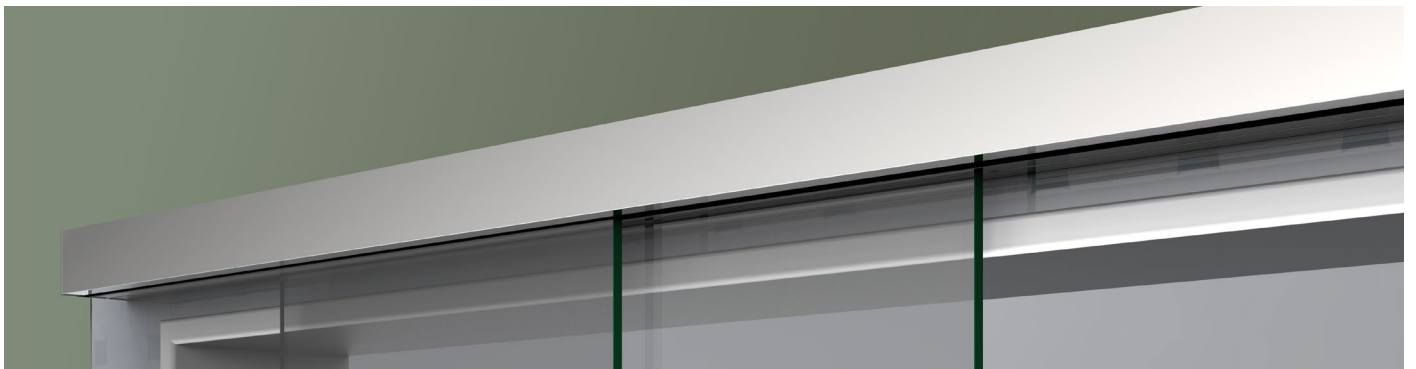
adjustment options

with patent-pending
glass thickness adjustment
height adjustment ± 3 mm

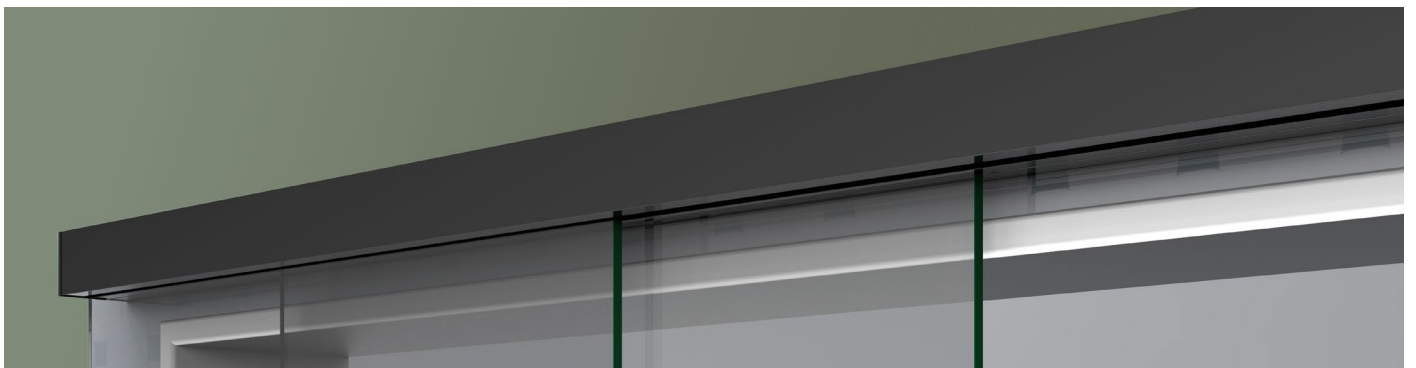
surfaces



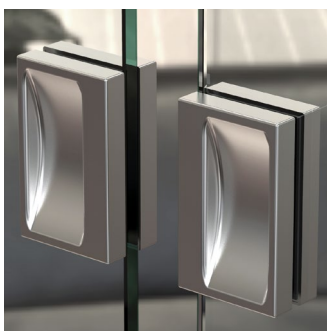
aluminium anodized stainless-steel optic (E123)



aluminium silver anodized (E6EV1)



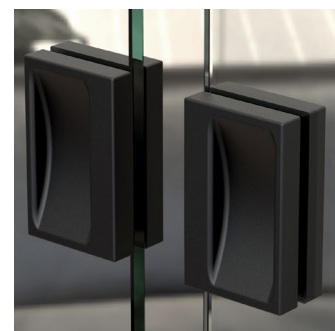
aluminium black anodized (E6C35)



matt chrome (ZN1)



gloss chrome (ZN5)



deep black matt (ZN135)

LOFT INTERIOR

intelligent room-in-room solutions



MADE
IN
GERMANY

glass partitions with style

simple and versatile all at once

With this innovative frame system, Pauli + Sohn offers flexible solutions to a wide range of requirements in contemporary interior design. The system is characterized by a small number of components, simple assembly and quick installation.

With just a few basic profiles and connectors, versatile partitions, zoning or even conversions from commercial to residential spaces. The profiles are prepared without mitering the joints and without machining elements for the fasteners. This means that they can be cut to size on site if required, making it easier to adapt them to the building situation.

Clip-on covers allow the profiles to be quickly mounted to the connector or connection elements and removed in the event of servicing.

Self-adhesive rung-profiles can be installed without glass or purlin processing thus ensuring easy installation.

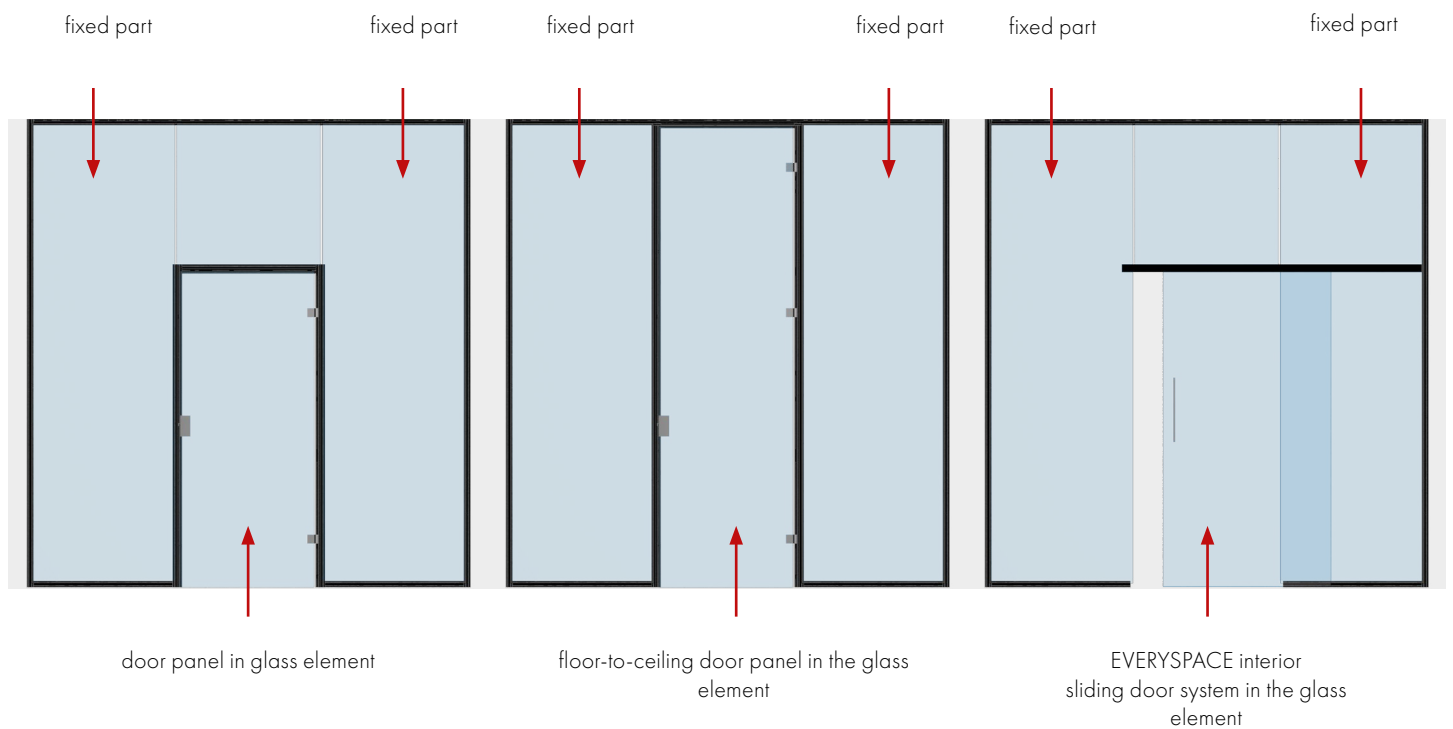
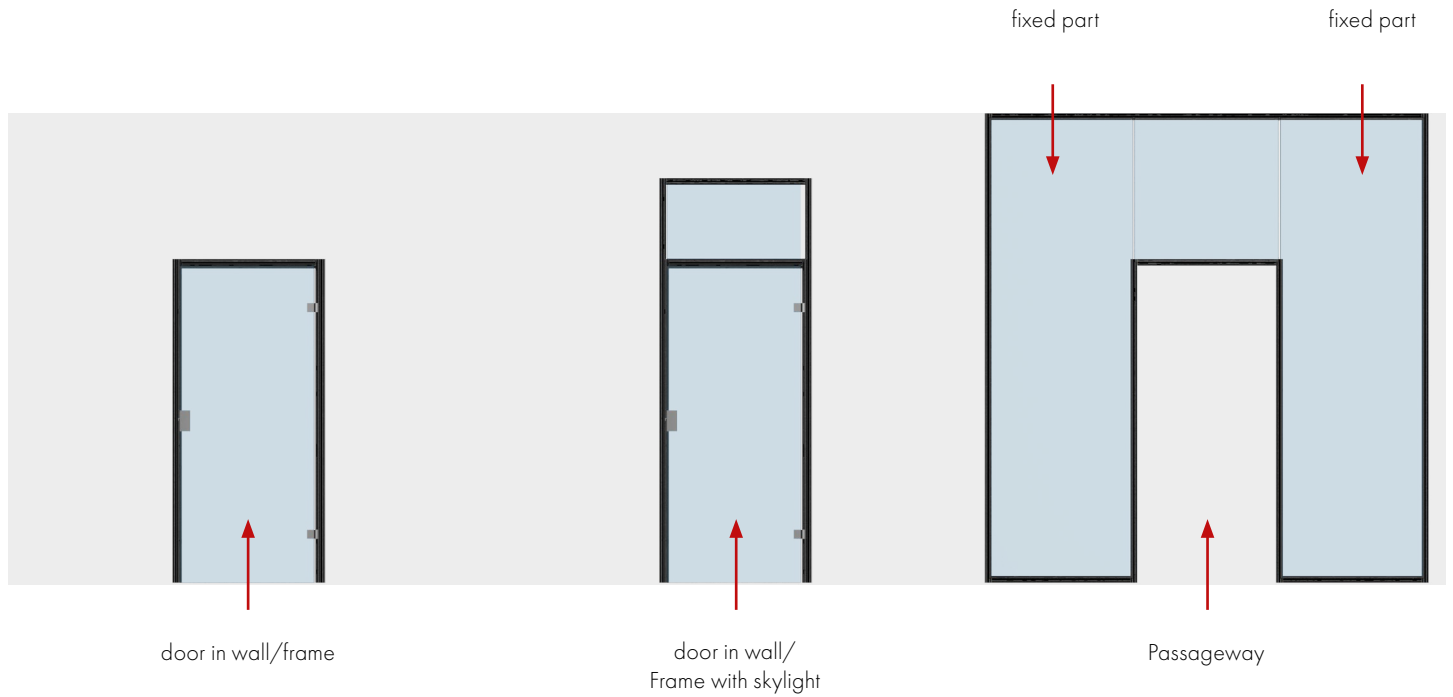
Loft Interior offers a solution for every application - discover the possibilities.

installation options

MADE
IN
GERMANY

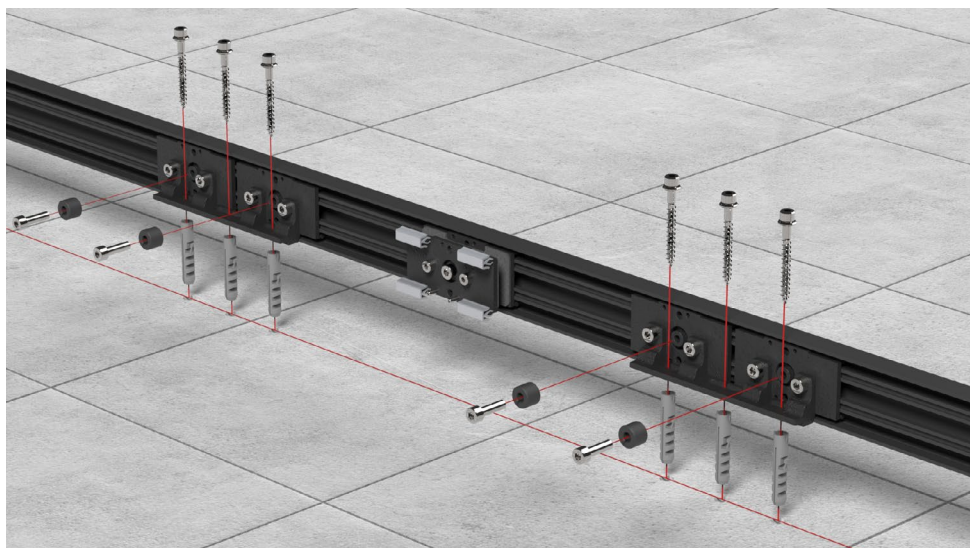
A solution for every application

From a door in a frame to complete walls - we offer a solution for every situation.



technical features

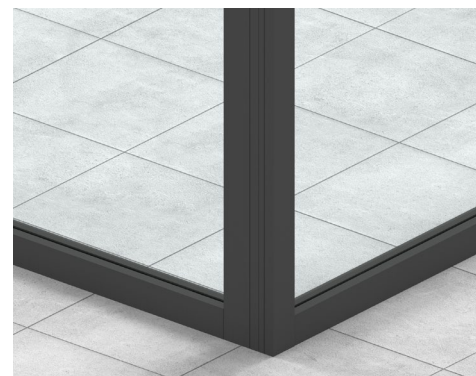
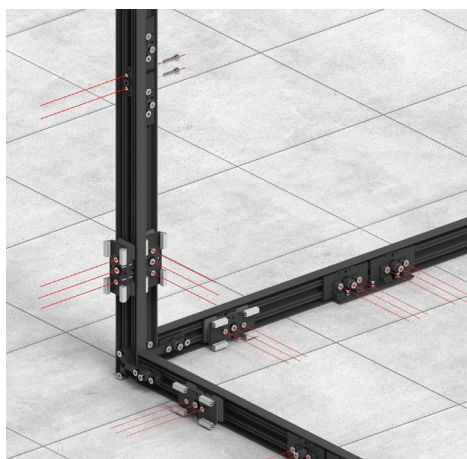
attachment to the floor/wall/ceiling:



attachment to the floor

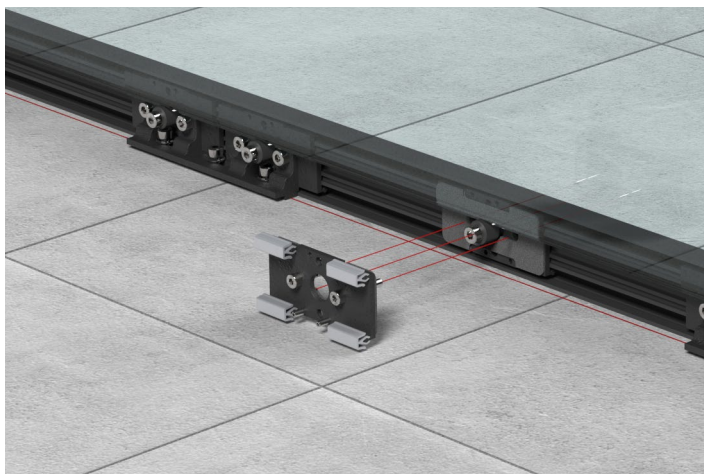


mounting to the wall



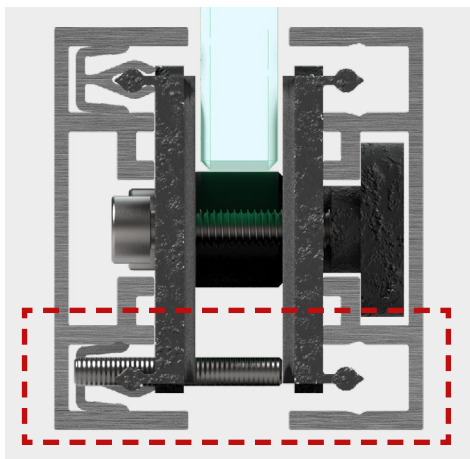
corner assembly

technical features

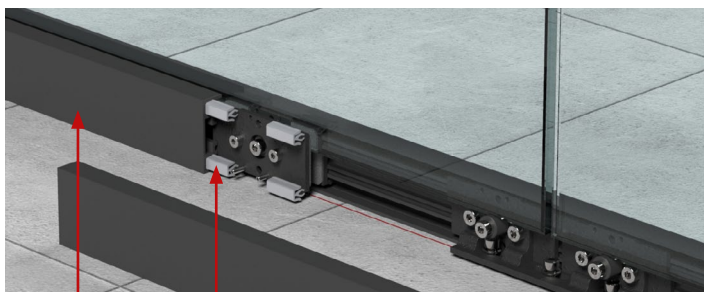


glass mounting:

We recommend 2 x glass supports (3311ZN-VB) per meter.

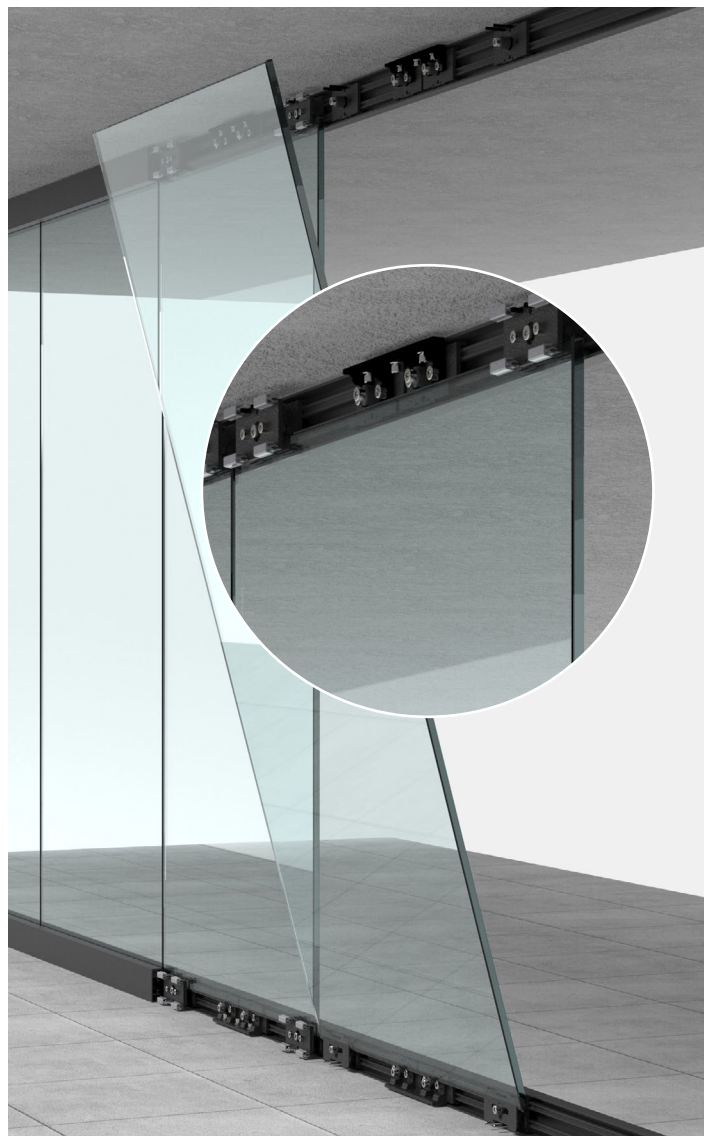


To ensure that the glass is clamped correctly, the grub screw at the bottom is set parallel to the top at the correct distance.



Main profile Clip

To cover the installation, the second main profile is simply attached to the clip on the glass holder.



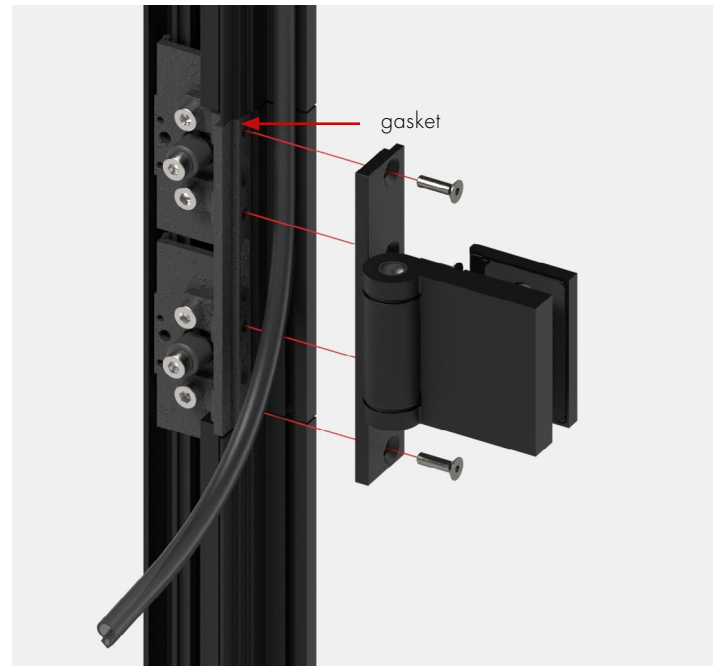
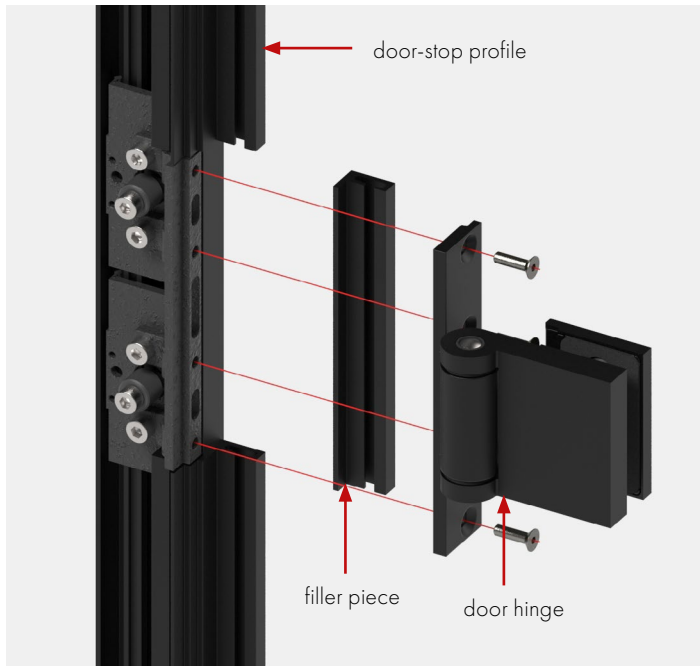
Inserting the glass infills

note: Seal vertical glass-glass joints with silicone

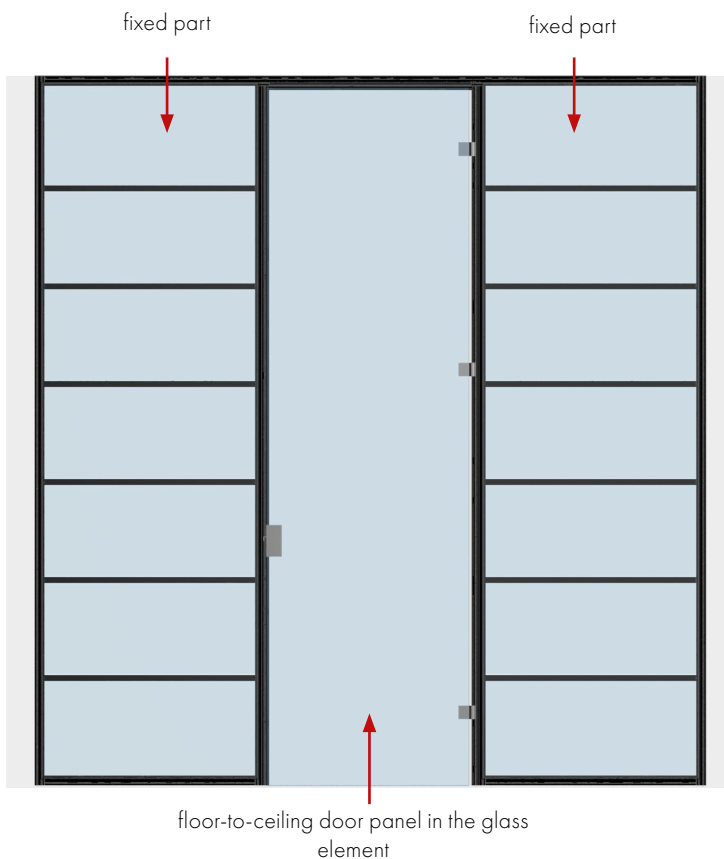
technical features

mounting door frame:

To prevent the door from being pushed over, an additional profile is simply inserted to allow the door to hinge properly. Open areas on the fitting are closed with small filler pieces.

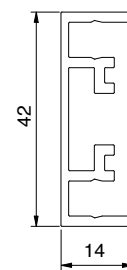
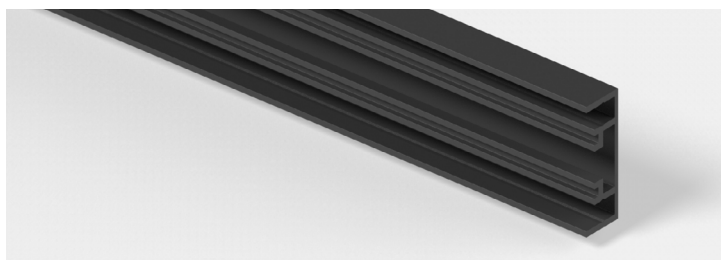


assembly of rungs

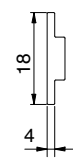


industrial design

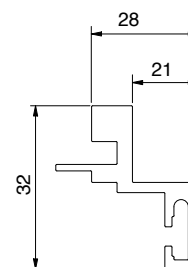
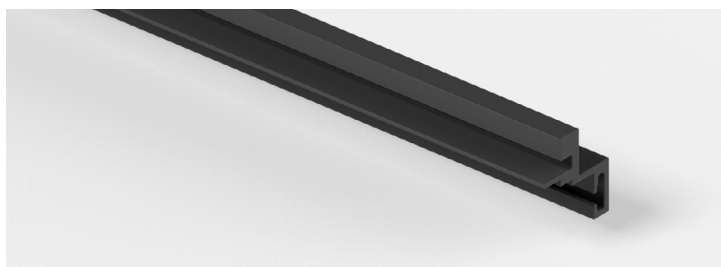
single components



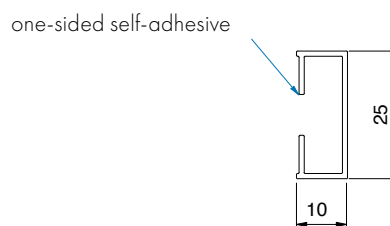
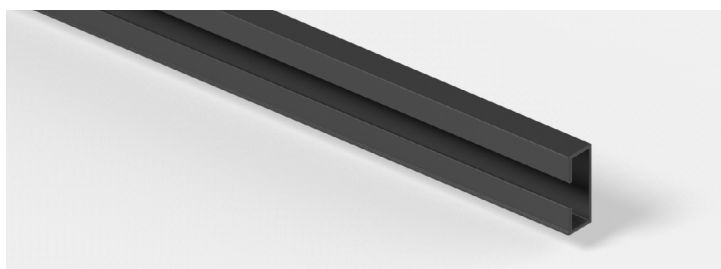
art. no.	finish	glass thickness	article description	VE/pc.
3300-5E6C35-5M	aluminium anodized black matt	8 - 12 mm	main profile	1/1



art. no.	finish	glass thickness	article description	VE/pc.
3300-10E6C35-5M	aluminium anodized black matt	8 - 12 mm	filler profile	1/1

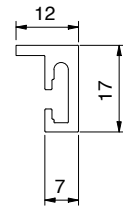
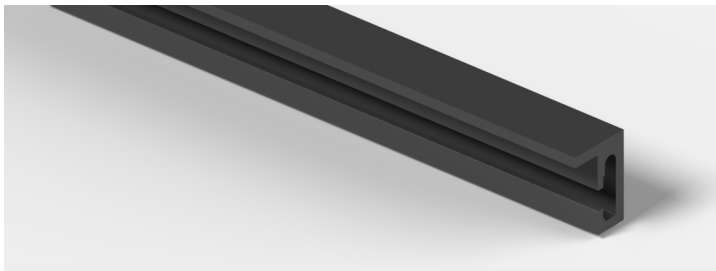


art. no.	finish	glass thickness	article description	VE/pc.
3300-11E6C35-5M	aluminium anodized black matt	8 - 12 mm	door-stop profile	1/1

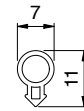


art. no.	finish	glass thickness	article description	VE/pc.
3300-14E6C35	aluminium schwarz matt eloxiert	8 - 12 mm	adhesive decorative profile	1/1

single components



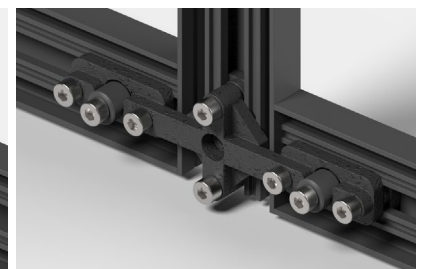
art. no.	finish	glass thickness	article description	VE/pc.
3300-13E6C35-5M	aluminium anodized black matt	8 - 12 mm	filler piece	1/1



art. no.	finish	glass thickness	article description	VE/pc.
3300-12KU3-5M	plastic black	8 - 12 mm	gasket	1/1

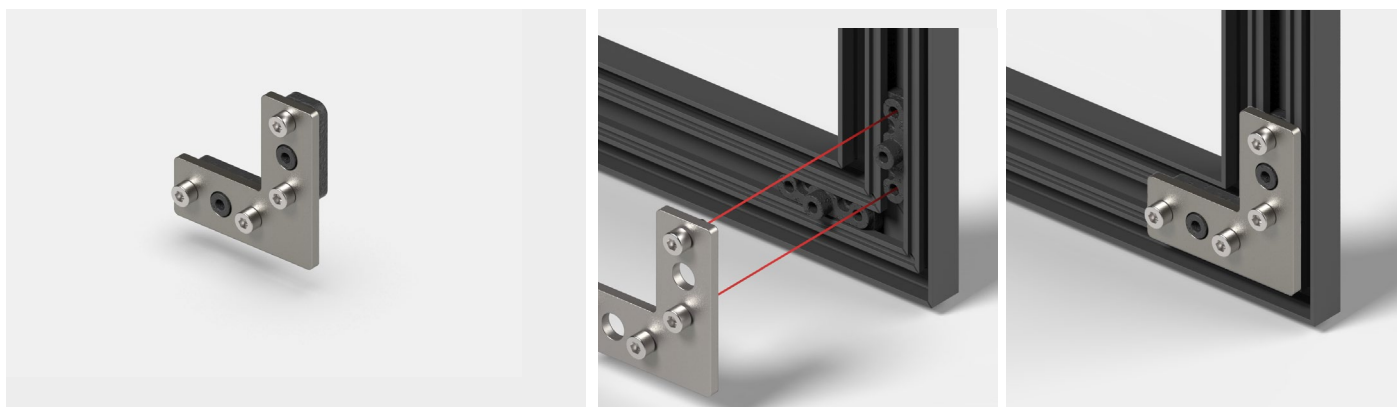


art. no.	finish	glass thickness	article description	VE/pc.
3311ZN35P-TLV	passivated black	8 - 12 mm	T- corner connector	1/1

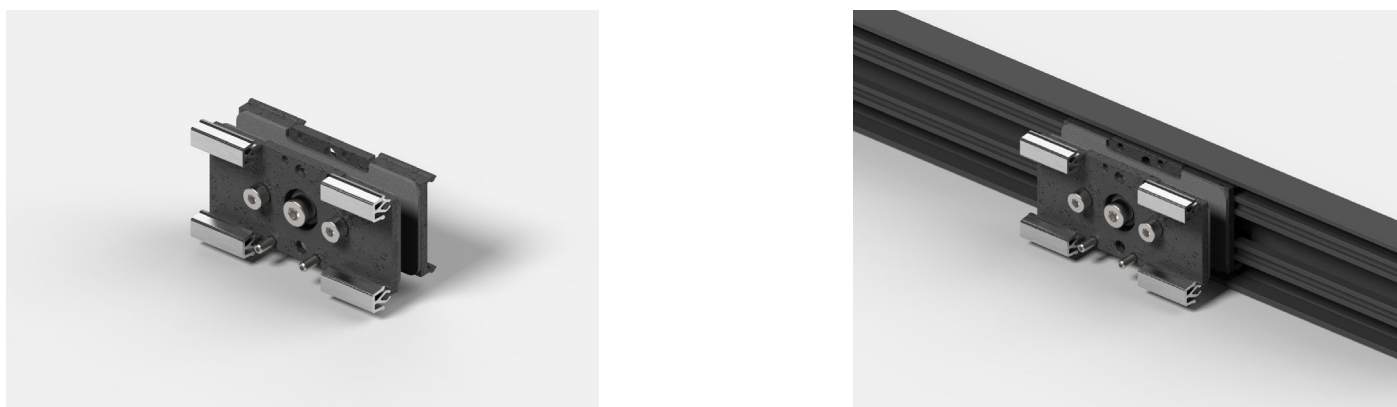


art. no.	finish	glass thickness	article description	VE/pc.
3311ZN35P-KV	passivated black	8 - 12 mm	cross connector	1/1

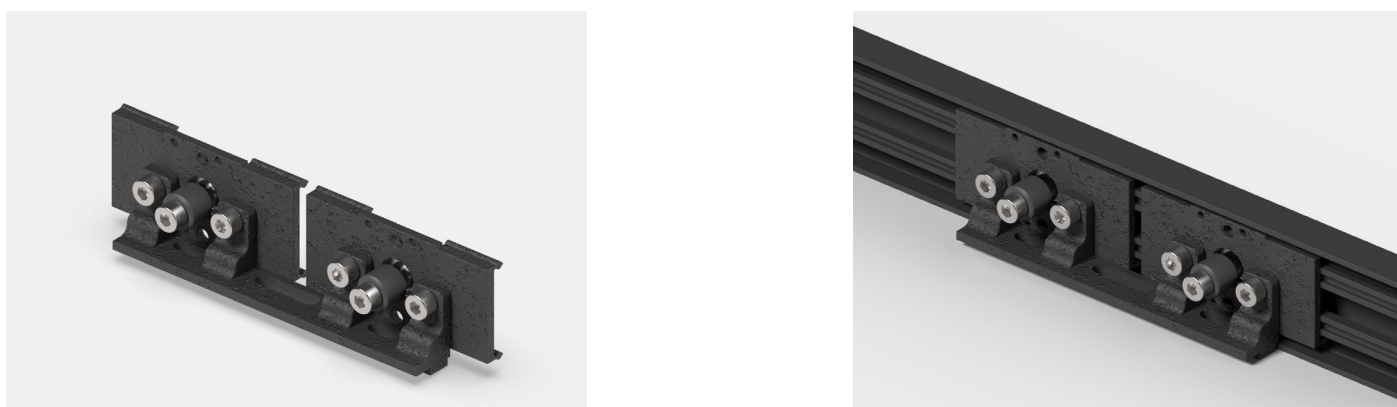
single components



art. no.	finish	glass thickness	article description	VE/pc.
3311ZN35P-GV	stainless steel	8 - 12 mm	miter connector	1/1

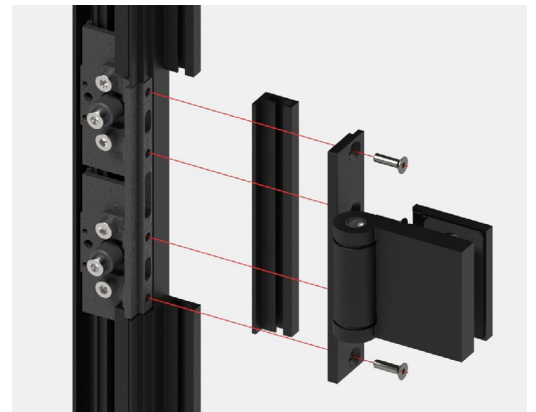


art. no.	finish	glass thickness	article description	VE/pc.
3311ZN35P-VB	passivated black	8 - 12 mm	glass holder	1/1

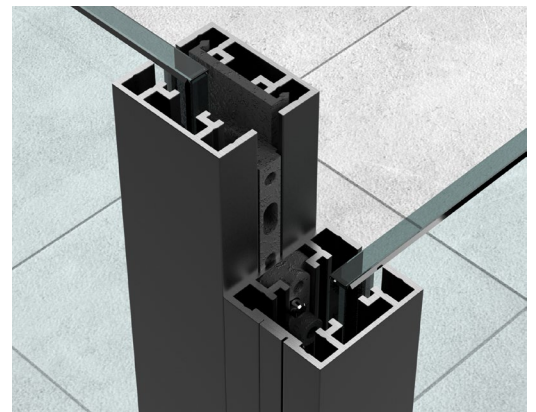


art. no.	finish	glass thickness	article description	VE/pc.
3311ZN35P-AS	passivated black	8 - 12 mm	floor, ceiling and wall connection, hinge attachment	1/1

single components



art. no.	finish	glass thickness	article description	VE/pc.
3311ZN135-TB	deep black matt	8 - 12 mm	door hinge	1/1



art. no.	finish	glass thickness	article description	VE/pc.
3311ZN-SV	passivated black	8 - 12 mm	connector to 90° Connection of profile 3300-5E0	1/1

product combination



EVERYSPACE interior

The Loft interior system can be easily combined with the EVERYSPACE interior sliding door system for interiors.



constructive glass building





SELF-SUPPORTING CANOPY SYSTEM

improved version with even more options



MADE
IN
GERMANY

Was ist neu?



- **Customized canopies** for your customers with the **online configurator**
- New **improved version with more customer benefits**
- glass now also available with **LSG/HSG with PVB film** (cost and delivery time benefits) as an alternative to Sentryfolie® 1.52 mm
- significantly **more standard dimensions** (without profile butting) available
- **Project-specific, individual widths** possible for wall profile and thermal console
- Wall profile available **in RAL** as required
- double benefit: produce your own electricity - **now also available with photovoltaic panels.** (p.xx)
- Undersides of the respective **glass panels can be printed**



Glass structure with SentryGlas® film

Glass type and thickness	Panel structure	max outspan [A]
LSG = HSG 17.52 mm	HSG 8 mm + SentryGlas® SG5000 1.52 mm + HSG 8 mm	1100 mm
LSG = HSG 21.52 mm	HSG 10 mm + SentryGlas® SG5000 1.52 mm + HSG 10 mm	1200 mm

Glasaufbau mit PVB-Folie | Glass structure with PVB film

Glass type and thickness	Panel structure	max outspan
LSG = HSG 17.52 mm	HSG 8 mm + PVB 1.52 mm + HSG 8 mm	1000 mm
LSG = HSG 21.52 mm	HSG 10 mm + PVB 1.52 mm + HSG 10 mm	1200 mm

Freitragendes Glasvordach mit aBG (Allgemeine Bauartgenehmigung)

Its avant-garde design and a high degree of safety and flexibility defines this high quality canopy. With the canopy system VD 1510/11 with its general construction technique permit, it is theoretically possible to mount an infinite number of glass panels to the wall, without the requirement any further attachment to the front of the panels. The glass panel is fixed by means of a wall mounting profile without tie rods or other supporting hardware. The wall mounting profile is made of aluminum and subtly blends into the background.

VD 1510-17

VD 1511-17

VD 1511-21

MADE
IN
GERMANY



Improved version with even more options:

- 17,52 mm VSG made of LSG with an interlayer of **PVB-film** (new) or SentryGlas® SG 5000 according to aBG 70.3-253
- **maximum outspan with LSG 17,52 mm***
with PVB : 1000 mm
with SentryGlas® : 1100 mm
- **maximum outspan with VSG 21,52 mm***
with PVB-film: 1200 mm
SentryGlas®: 1200 mm
- **versatile panels as well as glass cutouts** are possible
- roof pitch 10 ° (In addition, it is possible to adjust the wall profile to be inclined upwards by 9 °)
- Undersides of the respective **glass panels can be printed**

Several profiles may be mounted in line to support one long panel. Please make sure that the maximum width is not exceeded and that all contact fixtures and the two outer fixing elements are used.

Benefit from our knowledge and our experience with constructive glass building. our experts from Pauli + Sohn will always advise you competently and up-to-date

*dependent on qd value (see table p 20-21)



verified residual load capability for 17,52 mm and 21,52 mm glass



static calculation according to DIN 18008 available

more individuality – more comfort



Zuschnittservice cutting service

Pauli+Sohn offers a cutting service of the 1510/1511 canopy profiles. The state-of-the-art machining center can cut profiles with lengths of up to 5000 mm to any custom dimension and provided with the correct holes.



Pauli Service



Planning aids

For better planning, we offer various tools. Use our new online configurator. Please enquire for the respective approval/system-static.



EN

To use our configurator, scan the QR-code or visit our website at www.pauli.de/en/cloud.

configurator – self-supporting canopy system

The newly developed **online configurator** helps you

- to configure canopies up to **30m long**.
- the **cut and drilled profiles** as well as the **corresponding glass processing** are displayed. (taking into account the maximum outspans with regard to the type of glass - maximum outspan depends on the qd value of the actual load effect at the installation location).
- the customer can select individual **fasteners, thermal insulation consoles** and a **wide range of accessories**.

This means that every canopy can be planned conveniently, individually and safely.

Ergebnis - Vordach VD1511-17

Vordach-Set

Bezeichnung	Art-Nr.	Menge
Vordach-Wandprofil-Set 1511-17	1511E6EV1-17-3000	1 St.

Größenangaben

Ausladung (A): 1100 mm
 Breite (B): 3000 mm
 Bohrflochabstand (BA): 200 mm
 Randabstand (RA): 100 mm

Zubehör

Bezeichnung	Art-Nr.	Menge
Schraube	1970-1VA	16 St.
Siebhölse	1980KU-20x85	16 St.
Hochleistungsmörtel	1501KL-300	1 St.
Stirnlochschlüssel	Z059	1 St.
Innengewindeanker	19795TB-M10	16 St.
Hochleistungs-Montage- und Gleitmittel	102476CTP	1 St.
Wärmedämmkonsole (Dämmschichtdicke = 150 mm)	1519-17-3000-150	1 St.

Zuschnitt Vordach-Profile

Bezeichnung	Art-Nr.	Zuschnitt	Menge
Vordach-Wandprofil	1511E6EV1-17-5000	3000 mm	1 St.

Glas

Bezeichnung	Breite	Ausladung	Menge
VSG aus TVG + SentryGlass® 17.52	2998 mm	1100 mm	1 St.

Profil
Wählen Sie Ihr Vordach-Profil

Vordach VD1510-17

- 17,52 mm VSG aus TVG mit einer Zwischenschicht aus PVB oder SentryGlass® SG 5000 nach aBG 70.3-253
- max. 1100 mm Ausladung
- bis zu 3,98 kNm/2 Last
- ohne Abdeckblech

Vordach VD1511-17

- 17,52 mm VSG aus TVG mit einer Zwischenschicht aus PVB oder SentryGlass® SG 5000 nach aBG 70.3-253
- max. 1100 mm Ausladung
- bis zu 3,98 kNm/2 Last
- mit Abdeckblech

Vordach VD1511-21

- 21,52 mm VSG aus TVG mit einer Zwischenschicht aus PVB oder SentryGlass® SG 5000 nach aBG 70.3-253
- max. 1200 mm Ausladung
- bis zu 6,15 kNm/2 Last
- mit Abdeckblech

Größenangaben - Vordach VD1511-17

Ausladung (A): mm ✓

Breite (B): mm ✓

Breite

Minimum: 1000 mm
Maximum: 30000 mm

Zubehör - Vordach VD1511-17

Stirnlochschlüssel (Z059)
Stirnlochschlüssel 1 St.

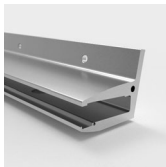
Hochleistungs-Montage- und Gleitmittel (102476CTP)
Hochleistungs-Montage- 1 St.

Wärmedämmkonsole (1519)
Dämmschichtdicke



VD1510-17

MADE
IN
GERMANY



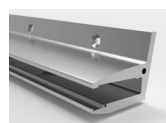


- custom cutting possible
- easy assembly
- glass width max. 3000 mm
- 17,52 mm VSG made of LSG with an interlayer of PVB or SentryGlas® SG 5000 according to aBG 70.3-253
- max. cantilever outspan: 1000 mm (PVB film) / 1100 mm (SentryGlas® film)
- up to 3,98 kN/m² load (with 900 mm outspans and SentryGlas® film)
- numerous profiles can be mounted in a series
- no edge recesses in the glass panel are required
- only the lower glass panel of the laminate requires holes for securing (no risk of drill offset in the laminate)

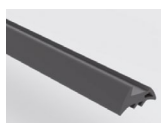
VD1510-17



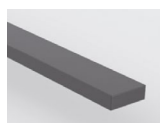
set contents



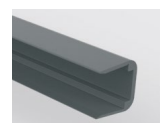
1x wall profile



1x upper glazing profile



1x contact profile



1x edge protection profile



2x adhesive pad left/right



2x end cap screws incl. left/right



3-4x glass support fastener



2x glass securing fastener

Fixation accessories



S7991A2D10x40 (countersink)



1510-11VA (Connecting stud)



1501KL-300 (FIS V 300T) (high performance mortar)



Z059 (adjustable face spanner)



1980KU-20x85 (FIS H 20x85 K) (mesh sleeve)



1979ST8-M10 (FIS E M10) (internally threaded plug)



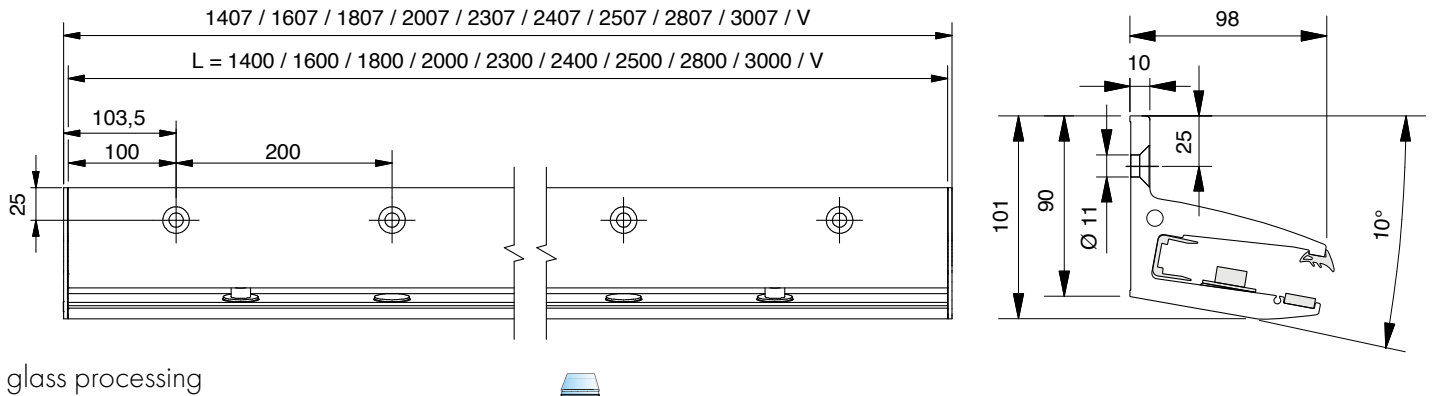
1024520CTP (10 l) (assembly lubricant)



102476CTP (0,5 l) (assembly lubricant)

technical details for standard sets

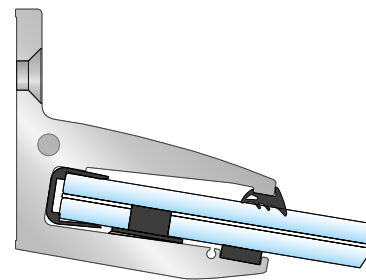
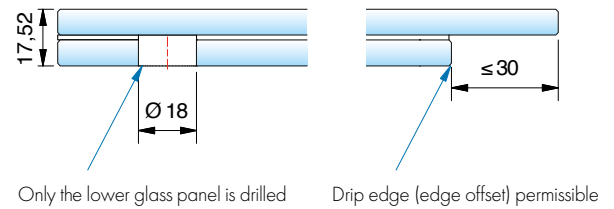
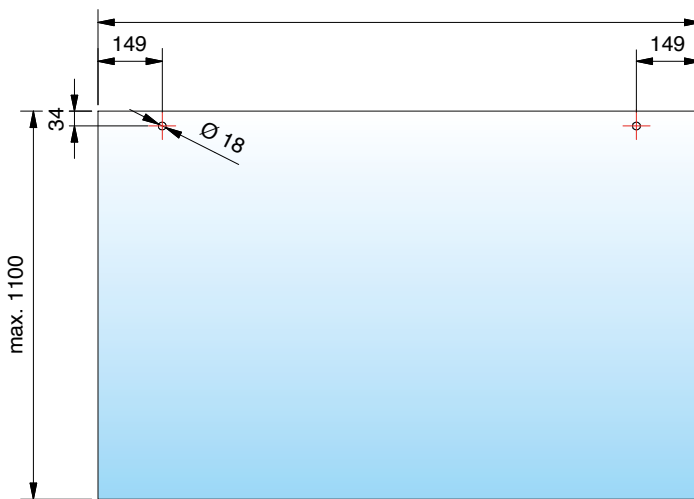
MADE
IN
GERMANY



glass processing



width = profile length (L) - 2 mm

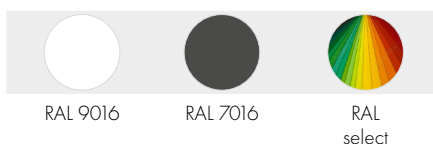


canopy-wall-profile 1510-17

material: aluminium/ surface: aluminium look, anodised silver

art. no.		fixation holes	outspan PVB film	outspan SentryGlas®	glass width	total width
1510E6EV1-17-1400	17,52 mm	7x	≤1000 mm	≤1100 mm	1398 mm	1407 mm
1510E6EV1-17-1600	17,52 mm	8x	≤1000 mm	≤1100 mm	1598 mm	1607 mm
1510E6EV1-17-1800	17,52 mm	9x	≤1000 mm	≤1100 mm	1798 mm	1807 mm
1510E6EV1-17-2000	17,52 mm	10x	≤1000 mm	≤1100 mm	1998 mm	2007 mm
1510E6EV1-17-2300	17,52 mm	12x	≤1000 mm	≤1100 mm	2298 mm	2307 mm
1510E6EV1-17-2400	17,52 mm	12x	≤1000 mm	≤1100 mm	2398 mm	2407 mm
1510E6EV1-17-2500	17,52 mm	12x	≤1000 mm	≤1100 mm	2498 mm	2507 mm
1510E6EV1-17-2800	17,52 mm	12x	≤1000 mm	≤1100 mm	2798 mm	2807 mm
1510E6EV1-17-3000	17,52 mm	12x	≤1000 mm	≤1100 mm	2998 mm	3007 mm
1510E6EV1-17-V*	17,52 mm	individuell custom	≤1000 mm	≤1100 mm	individuell custom	individuell custom

* As of now, we offer individual cutting options. Up to a maximum length of 5000 mm, we can make any custom dimension a reality.

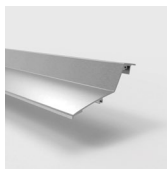
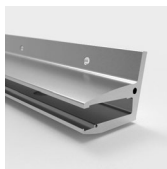


Wall profiles on request in RAL 9016, RAL 7016, or individually in RAL of your choice for an additional charge



VD1511-17

MADE
IN
GERMANY





- custom cutting possible
- easy assembly
- glass width max. 3000 mm
- 17,52 mm VSG made of LSG with an interlayer of PVB or SentryGlas® SG 5000 according to aBG 70.3-253
- max. cantilever outspan: 1000 mm (PVB film) / 1100 mm (SentryGlas® film)
- up to 3,98 kN/m² load (with 900 mm outspan and SentryGlas® film)
- numerous profiles can be mounted in a series
- no edge recesses in the glass panel are required
- only the lower glass panel of the laminate requires holes for securing (no risk of drill offset in the laminate)

VD1511-17



Set-Inhalt | set contents

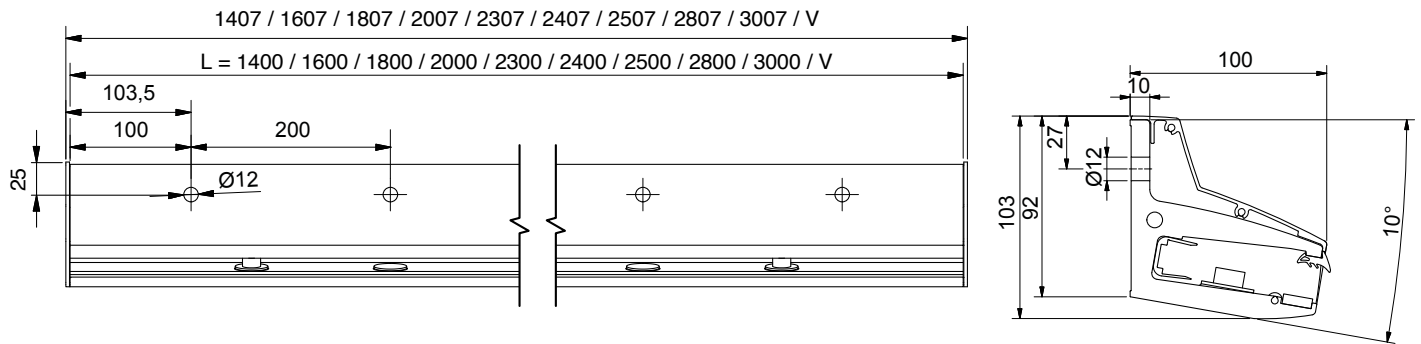
	1x wall profile		1x upper glazing profile		1x contact profile		1x edge protection profile
	2x adhesive pad left/right		2x end cap screws incl. left/right		1x cladding		
	3-4x glass support fastener		2x glass securing fastener				

Befestigungszubehör | Fixation accessories

	1970-1VA (anchor bolt)		1510-11VA (connecting stud)		1501 KL-300 (FIS V 300T) (high performance mortar)		Z059 (adjustable face spanner)
	1980 (mesh sleeve)		1024520CTP (10 l) (assembly lubricant)		102476CTP (0,5 l) (assembly lubricant)		

technical details for standard sets

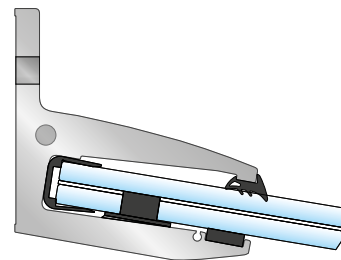
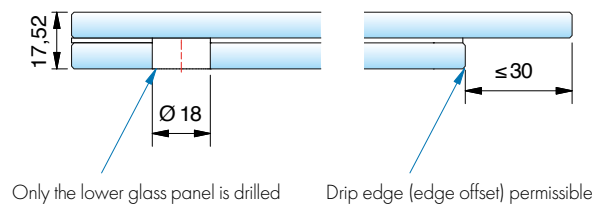
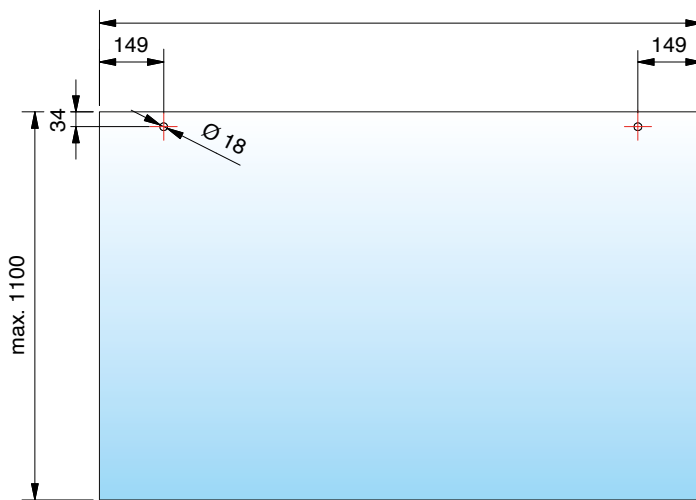
MADE
IN
GERMANY



glass processing



width = profile length (L) - 2 mm

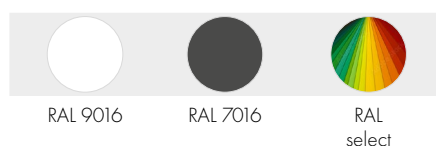


canopy-wall-profile 1511-17

material: aluminium/ surface: aluminium look, anodised silver

art. no.		fixation holes	outspan PVB film	outspan SentryGlas®	glass width	total width
1511E6EV1-17-1400	17,52 mm	7x	≤1000 mm	≤1100 mm	1398 mm	1407 mm
1511E6EV1-17-1600	17,52 mm	8x	≤1000 mm	≤1100 mm	1598 mm	1607 mm
1511E6EV1-17-1800	17,52 mm	9x	≤1000 mm	≤1100 mm	1798 mm	1807 mm
1511E6EV1-17-2000	17,52 mm	10x	≤1000 mm	≤1100 mm	1998 mm	2007 mm
1511E6EV1-17-2300	17,52 mm	12x	≤1000 mm	≤1100 mm	2298 mm	2307 mm
1511E6EV1-17-2400	17,52 mm	12x	≤1000 mm	≤1100 mm	2398 mm	2407 mm
1511E6EV1-17-2500	17,52 mm	12x	≤1000 mm	≤1100 mm	2498 mm	2507 mm
1511E6EV1-17-2800	17,52 mm	12x	≤1000 mm	≤1100 mm	2798 mm	2807 mm
1511E6EV1-17-3000	17,52 mm	12x	≤1000 mm	≤1100 mm	2998 mm	3007 mm
1511E6EV1-17-V*	17,52 mm	individuell custom	≤1000 mm	≤1100 mm	individuell custom	individuell custom

* As of now, we offer individual cutting options. Up to a maximum length of 5000 mm, we can make any custom dimension a reality.

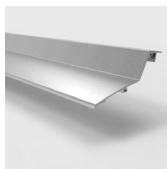
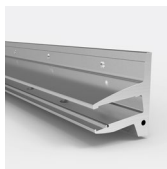


Wall profiles on request in RAL 9016, RAL 7016, or individually in RAL of your choice for an additional charge



VD1511-21

MADE
IN
GERMANY





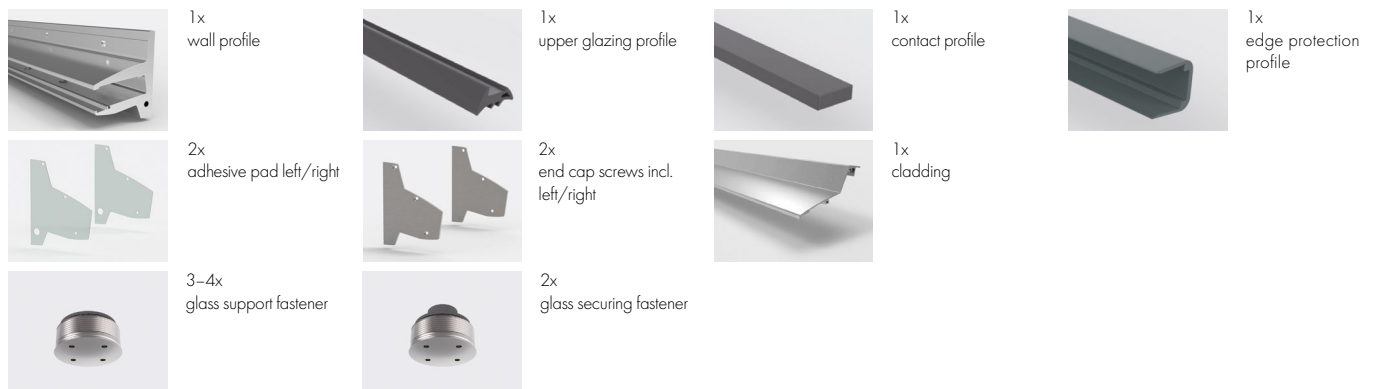
- custom cutting possible
- easy assembly
- glass width max. 3000 mm
- 21.52 mm VSG made of LSG with an interlayer of PVB or SentryGlas® SG 5000 according to aBG 70.3-253
- max. cantilever outspan: 1200 mm (PVB film) / 1200 mm (SentryGlas® film)
- up to 6,15 kN/m² load (with 900 mm outspan and SentryGlas® film)
- numerous profiles can be mounted in a series
- no edge recesses in the glass panel are required
- only the lower glass panel of the laminate requires holes for securing (no risk of drill offset in the laminate)

VD1511-21

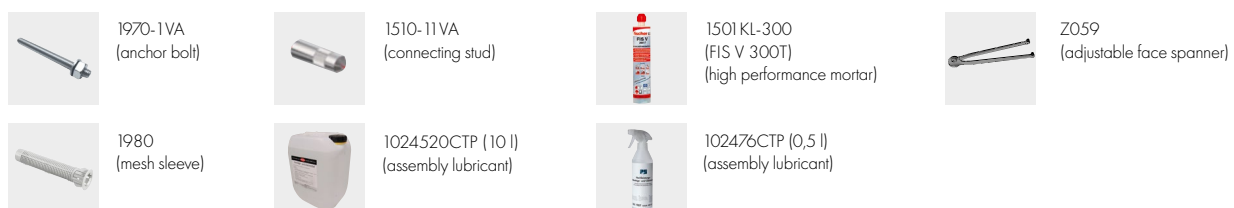
MADE
IN
GERMANY



set contents

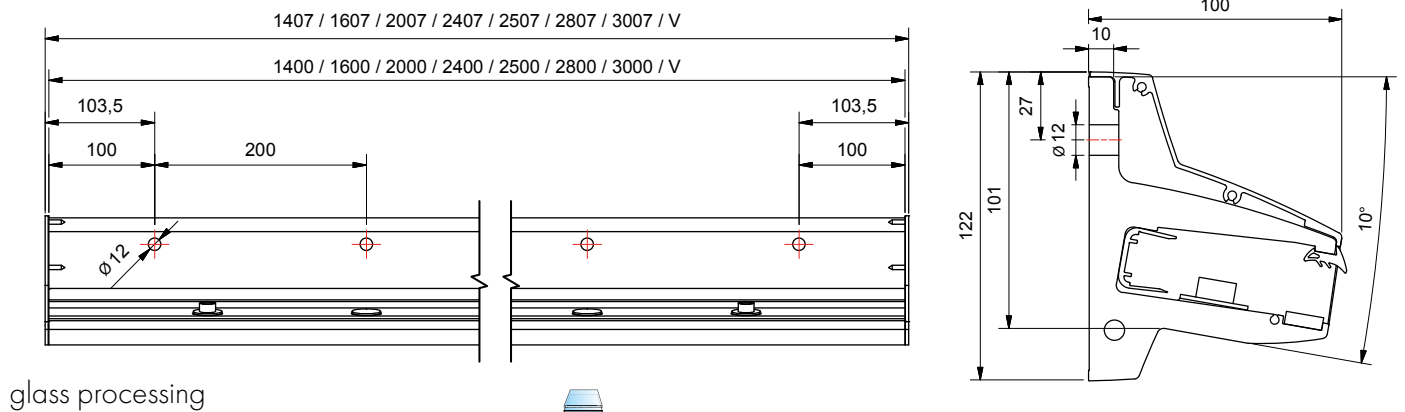


Befestigungszubehör | Fixation accessories

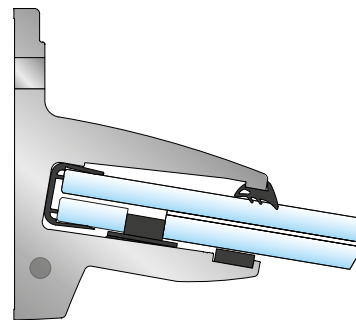
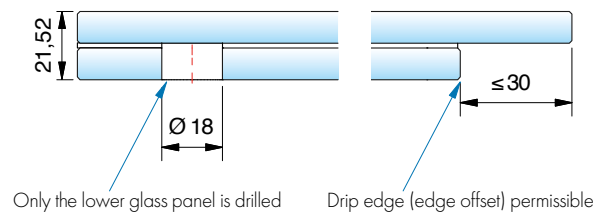
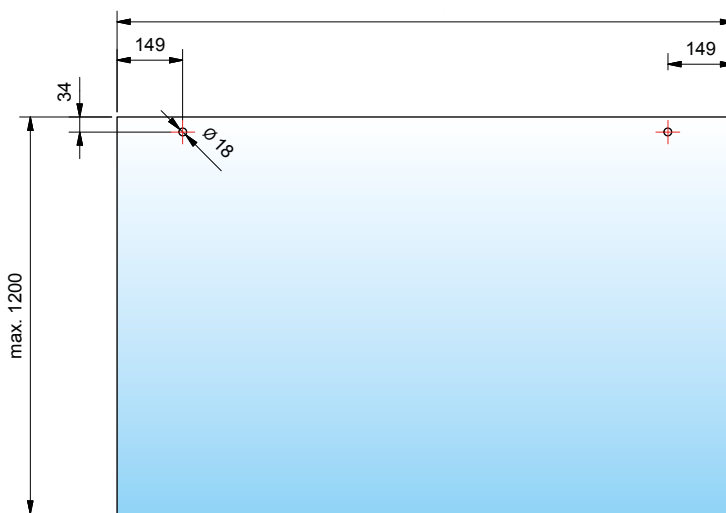


technical details for standard sets

MADE
IN
GERMANY



width = profile length (L) - 2 mm



canopy-wall-profile 1511-21

material: aluminium/ surface: aluminium look, anodised silver

art. no.		fixation holes	outspan PVB film	outspan SentryGlas®	glass width	total width
1511E6EV1-21-1400	21,52 mm	7x	≤1200 mm	≤1200 mm	1398 mm	1407 mm
1511E6EV1-21-1600	21,52 mm	8x	≤1200 mm	≤1200 mm	1598 mm	1607 mm
1511E6EV1-21-1800	21,52 mm	9x	≤1200 mm	≤1200 mm	1798 mm	1807 mm
1511E6EV1-21-2000	21,52 mm	10x	≤1200 mm	≤1200 mm	1998 mm	2007 mm
1511E6EV1-21-2300	21,52 mm	12x	≤1200 mm	≤1200 mm	2298 mm	2307 mm
1511E6EV1-21-2400	21,52 mm	12x	≤1200 mm	≤1200 mm	2398 mm	2407 mm
1511E6EV1-21-2500	21,52 mm	12x	≤1200 mm	≤1200 mm	2498 mm	2507 mm
1511E6EV1-21-2800	21,52 mm	12x	≤1200 mm	≤1200 mm	2798 mm	2807 mm
1511E6EV1-21-3000	21,52 mm	12x	≤1200 mm	≤1200 mm	2998 mm	3007 mm
1511E6EV1-21-V*	21,52 mm	individuell custom	≤1200 mm	≤1200 mm	individuell custom	individuell custom

*As of now, we offer individual cutting options. Up to a maximum length of 5000 mm, we can make any custom dimension a reality.

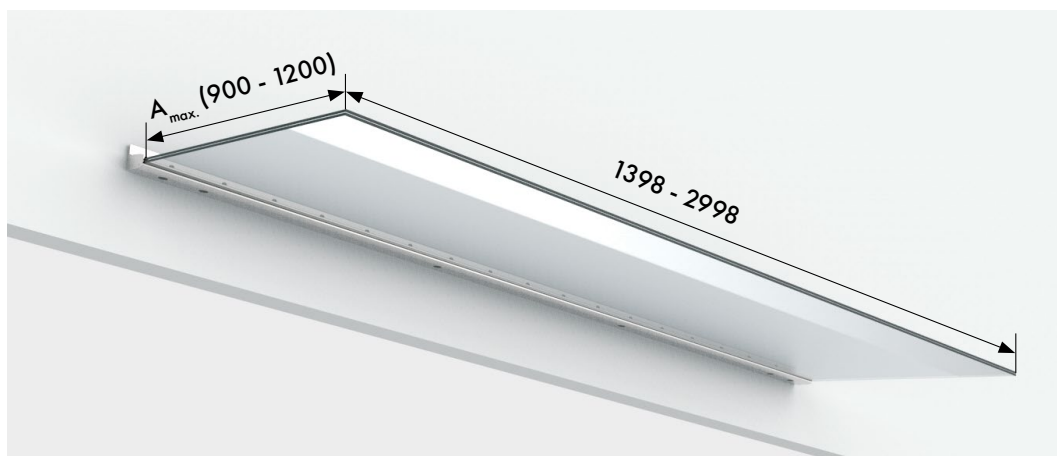


Wall profiles on request in RAL 9016, RAL 7016, or individually in RAL of your choice for an additional charge

glass panels **with PVB film** or SentryGlas® **without** shear bond connection

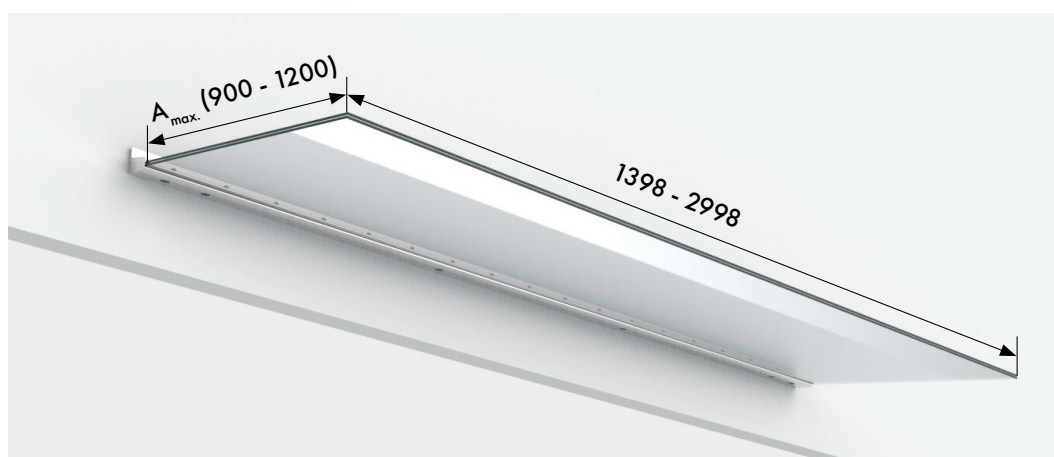


glass thickness	system profile		outspan	
			A _{max} = 900 mm	A _{max} = 1000 mm
17,52 mm	1510E6EV1-17-___	profile width	1400 - 3000 mm	1400 - 3000 mm
		profile width	1400 - 3000 mm	1400 - 3000 mm
	q _{d, max} ↓ =	2,4 kN/m ²	1,8 kN/m ²	
	q _{k, aufwärts, max} ↑ =	0,81 kN/m ²	0,66 kN/m ²	
			outspan	
glass thickness	system profile		A _{max} = 900 mm	A _{max} = 1000 mm
21,52 mm	1511E6EV1-21-___	profile width	1400 - 3000 mm	1400 - 3000 mm
		q _{d, max} ↓ =	4,05 kN/m ²	3,0 kN/m ²
	q _{k, aufwärts, max} ↑ =	1,32 kN/m ²	1,05 kN/m ²	
				outspan
glass thickness	system profile		A _{max} = 1100 mm	A _{max} = 1200 mm
21,52 mm	1511E6EV1-21-___	profile width	1400 - 3000 mm	1400 - 3000 mm
		q _{d, max} ↓ =	2,33 kN/m ²	1,88 kN/m ²
	q _{k, aufwärts, max} ↑ =	0,86 kN/m ²	0,71 kN/m ²	



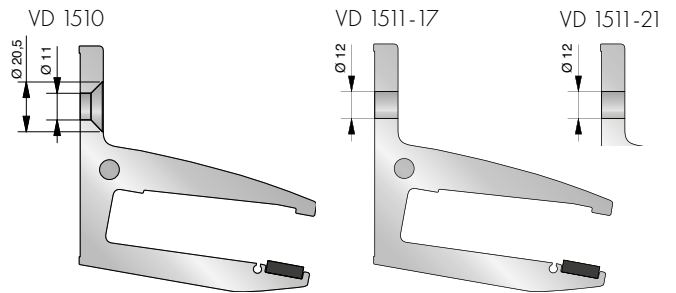
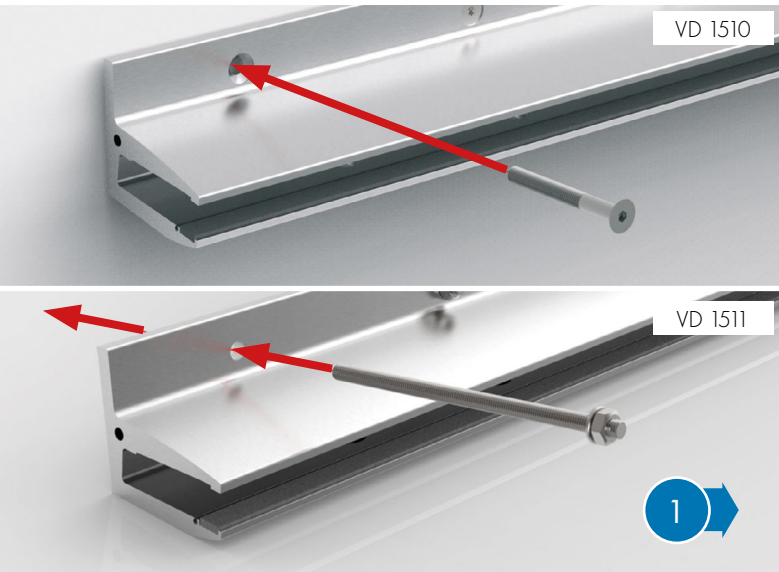
glass panels **SentryGlas® with** shear bond connection

			outspan	
glass thickness	system profile		$A_{\max} = 900 \text{ mm}$	$A_{\max} = 1100 \text{ mm}$
17,52 mm	1510E6EV1-17-___	profile width	1400 - 3000 mm	1400 - 3000 mm
		profile width	1400 - 3000 mm	1400 - 3000 mm
	$q_{d, \max} \downarrow =$	3,98 kN/m ²	2,25 kN/m ²	
	$q_{k, \text{aufwärts, max}} \uparrow =$	1,58 kN/m ²	1,04 kN/m ²	
			outspan	
glass thickness	system profile		$A_{\max} = 900 \text{ mm}$	$A_{\max} = 1100 \text{ mm}$
21,52 mm	1511E6EV1-21-___	profile width	1400 - 3000 mm	1400 - 3000 mm
		$q_{d, \max} \downarrow =$	6,15 kN/m ²	3,59 kN/m ²
	$q_{k, \text{aufwärts, max}} \uparrow =$	2,45 kN/m ²	1,61 kN/m ²	
				outspan
glass thickness	system profile		$A_{\max} = 1200 \text{ mm}$	
21,52 mm	1511E6EV1-21-___	profile width	1400 - 3000 mm	
		$q_{d, \max} \downarrow =$	2,81 kN/m ²	
	$q_{k, \text{aufwärts, max}} \uparrow =$	0,85 kN/m ²		

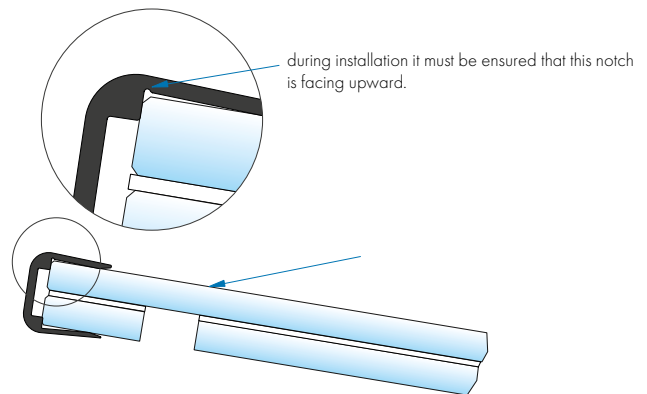
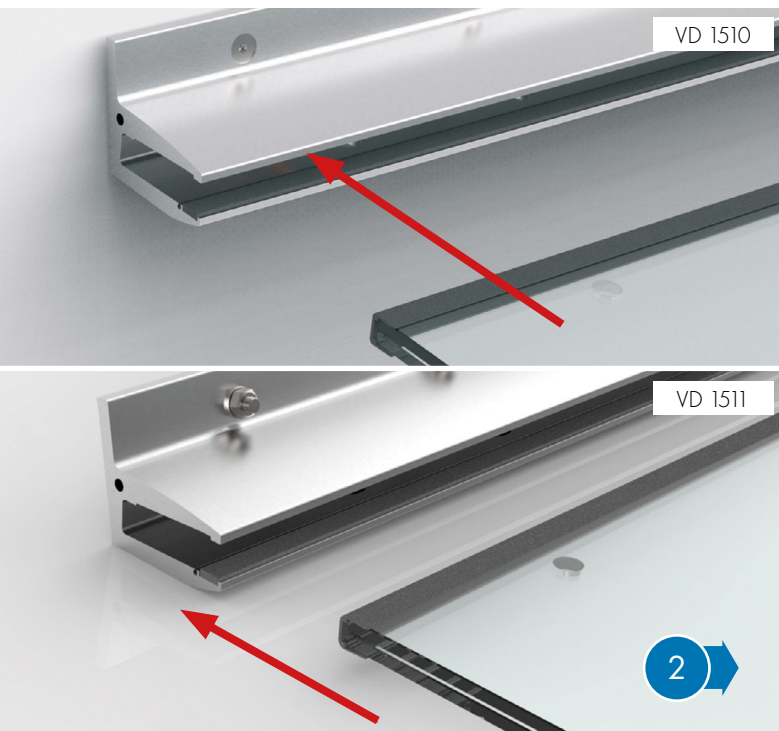


assembly instructions 1510 / 1511

MADE
IN
GERMANY

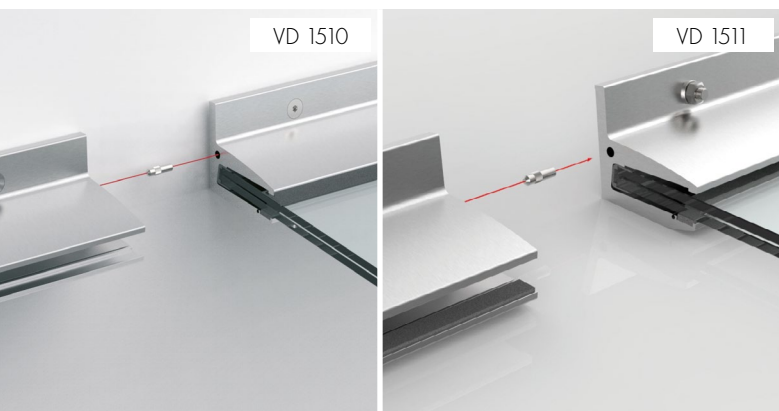


mount the aluminum profile with appropriate fastening material to the wall.



fit the edge protection profile onto the glass (note direction) and then insert the glass panel with the holes facing down into the canopy profile.

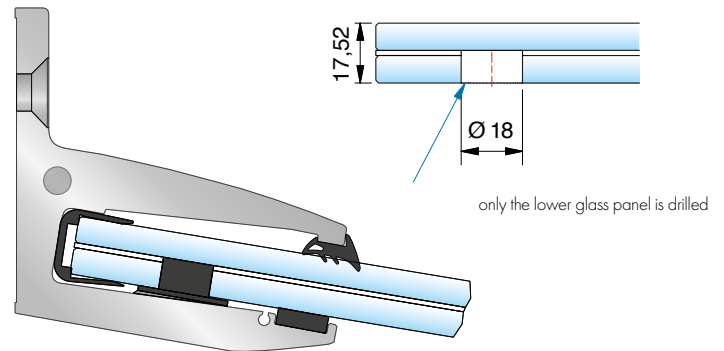
tip: assembly lubricant 1024520CTP



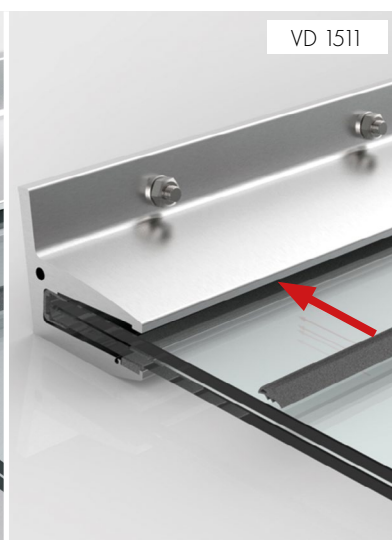
The profiles can be mounted in series with use of the corresponding connecting studs (1510-11VA).

assembly instructions 1510 / 1511

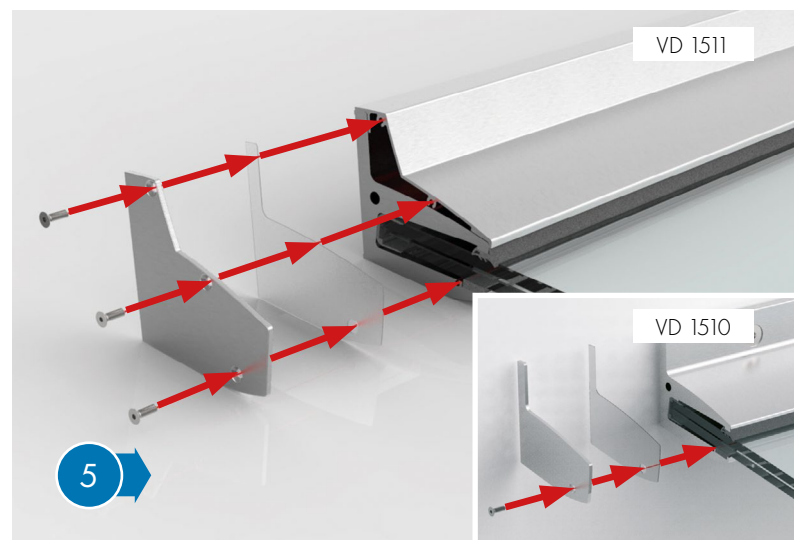
MADE
IN
GERMANY



○ align the glass panel and secure it with the glass supports and fasteners.

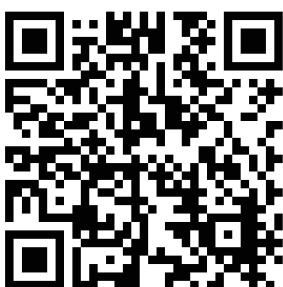


○ insert the upper glazing profile.



○ place the endcaps and the cladding (VD 1511) on the profile and secure them with screws.

assembly instruction
VD1510/1511



legend



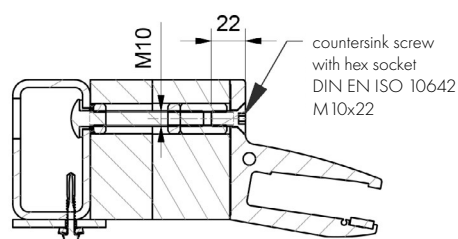
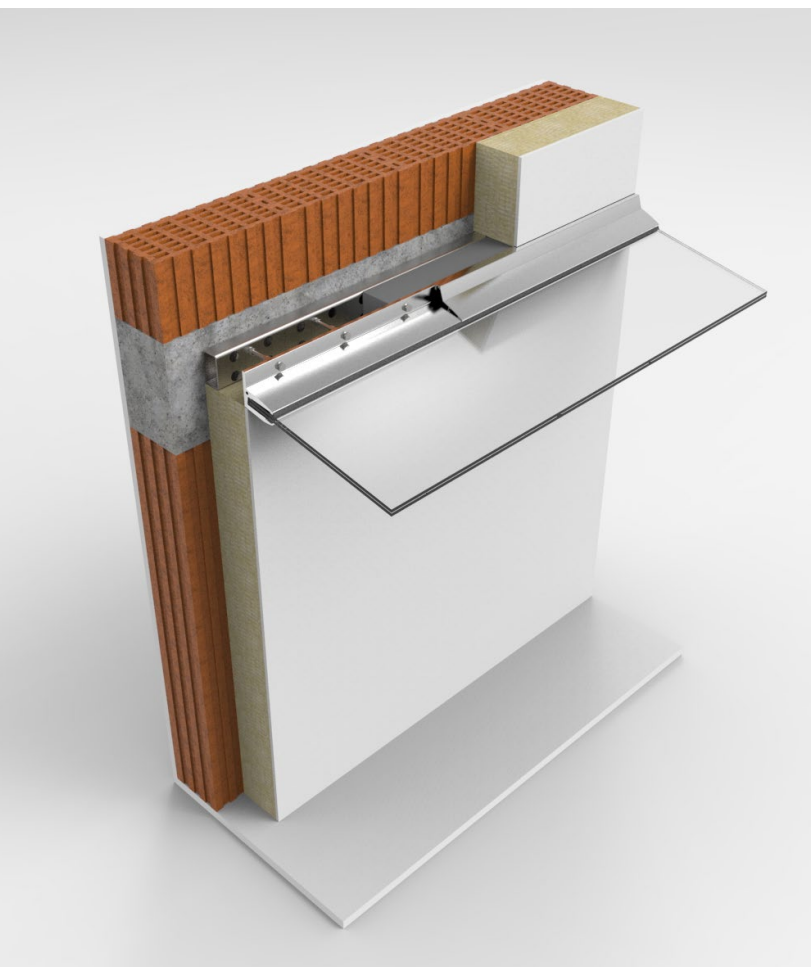
General construction technique permit
This type of notification regulates the design, dimensioning and execution of construction types.



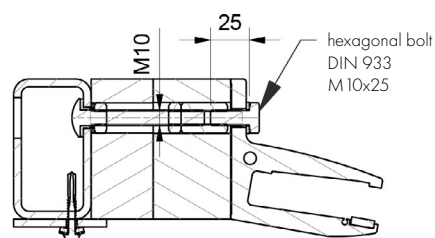
static calculation according to DIN 18008 available

thermal insulation console 1519

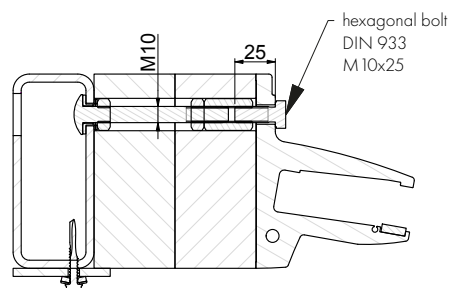
MADE
IN
GERMANY



assembly layout 1510E-17 with thermal insulation console



assembly layout 1511E-17 with thermal insulation console



Aufbau 1511E-21 mit Wärmedämmkonsole
assembly layout 1511E-21 with thermal insulation console

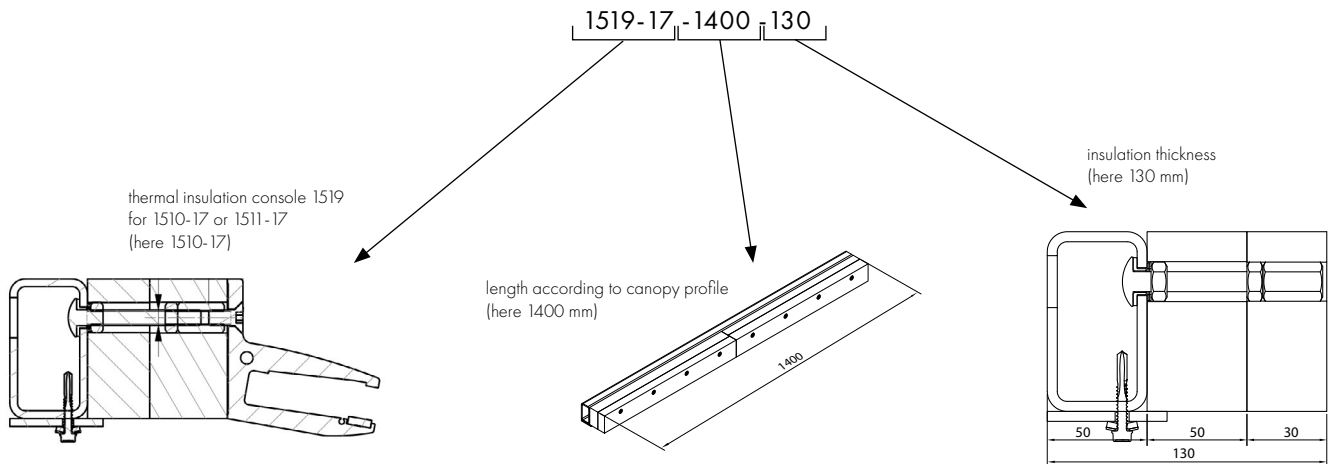
- for all canopy widths, insulation thicknesses are available from 90 to 200 mm in 10 mm increments.
- thermal bridges are greatly reduced
- secure installation of the canopy VD1510 / VD1511 / VD1511-21 on thermal insulated walls

thermal insulation console 1519

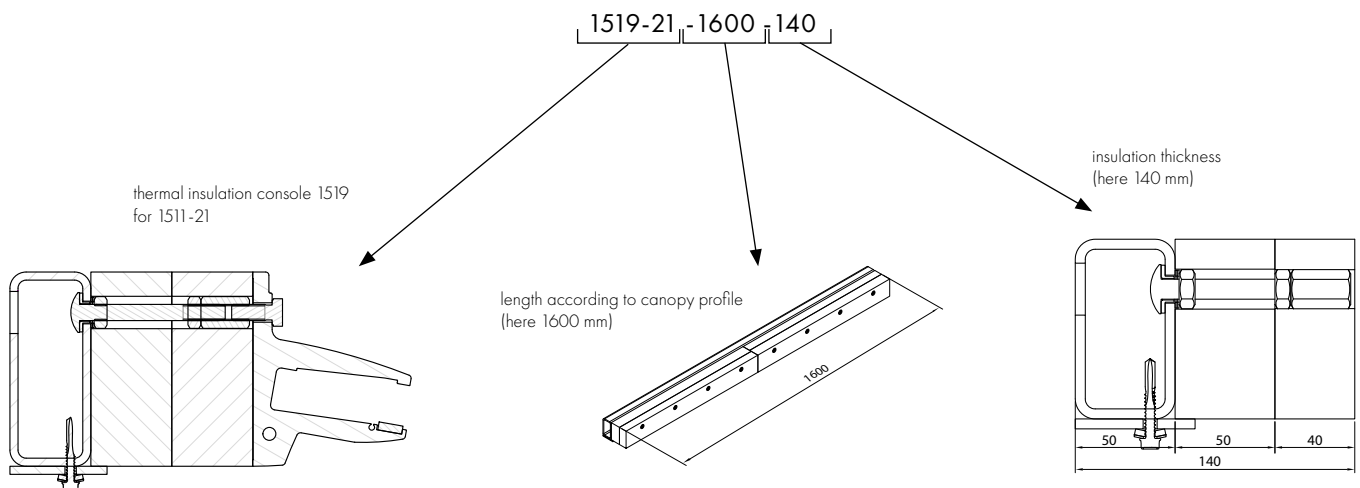
art. no.	article description	PU/piece
1519-17 1519-21	thermal insulation console	1/1

article number structure thermal insulation console 1519

example 1



example 2



Wärmedämmkonsole 1519 | thermal insulation console 1519

1519 für 1510-17 und 1511-17

1519 für 1511-21

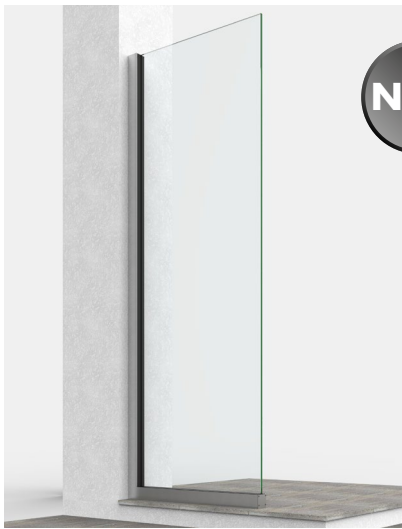
art-no.	profile length	insulation thickness	art-no.	profile length	insulation thickness
1519-17-	900	90	1519-21-	900	90
	1400	100		1400	100
	1600	110		1600	110
	1800	120		1800	120
	2000	130		2000	130
	2300	140		2300	140
	2400	150		2400	150
	2500	160		2500	160
	2800	170		2800	170
	30000	180		30000	180
		190			190
		200			200



windscreen TYP W-05

MADE
IN
GERMANY

- for wall mounting
- linearly supported
- clamping bars with high friction
- glass is aligned by adjustable pressure bars
- easy assembly
- glass thickness: 12/12.76 mm
- securing the panel at the bottom with profile or floor-support
- surface finish: E123 - stainless steel optic
- matching end cap sets available (1444-11 E123-12)



TYPE W-04 aluminium

windscreen wall profile

surface: stainless steel optic

art.-no. 1512E123-12-2500 1512E123-13-2500



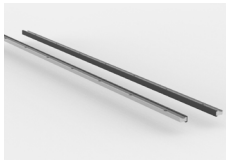
12 mm

12,76 mm

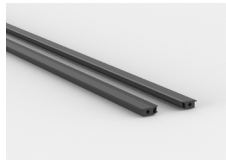
set comprised of:



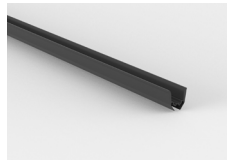
base profile



clamp bar



upper glazing profile



lower glazing profile



foam pad



screws

system profile set	base profile	clamp bar	rubber molding	foam pad	screws	lower glazing profile	upper glazing profile
1512E123-12-2500	1444-1E123-12-2500	6x	6x	18x	S14580A2ISO5 je 42 x 20mm / 21 x 25 mm	1x1444-7KU-12-2500	2x 1440-5EPDM-2500
1512E123-13-2500	1444-1E123-12-2500	6x	6x	18x	S14580A2ISO5 je 42 x 20mm / 21 x 25 mm	1x1444-7KU-12-2500	2x 1440-5EPDM-2500
1512RAL-12-2500	1444-1E123-12-2500	6x	6x	18x	S14580A2ISO5 je 42 x 20mm / 21 x 25 mm	1x1444-7KU-12-2500	2x 1440-5EPDM-2500
1512RAL-13-2500	1444-1E123-12-2500	6x	6x	18x	S14580A2ISO5 je 42 x 20mm / 21 x 25 mm	1x1444-7KU-12-2500	2x 1440-5EPDM-2500

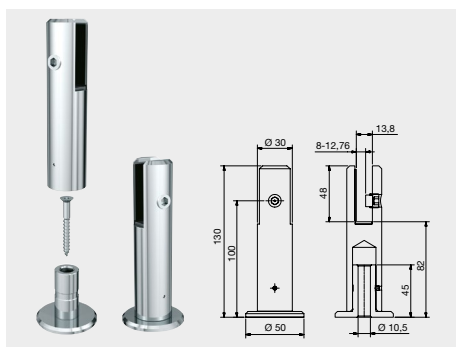
end caps

floor mount for vertical glazing



art.-no.

1444-11E123-12



art.-no.

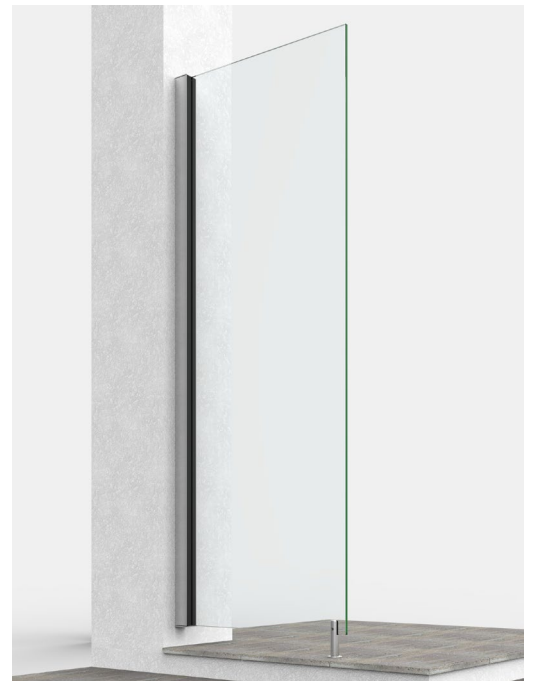
31322VA1

finish

stainless steel polished

31322VA2

stainless steel matt brushed



RAL 9016



RAL 7016

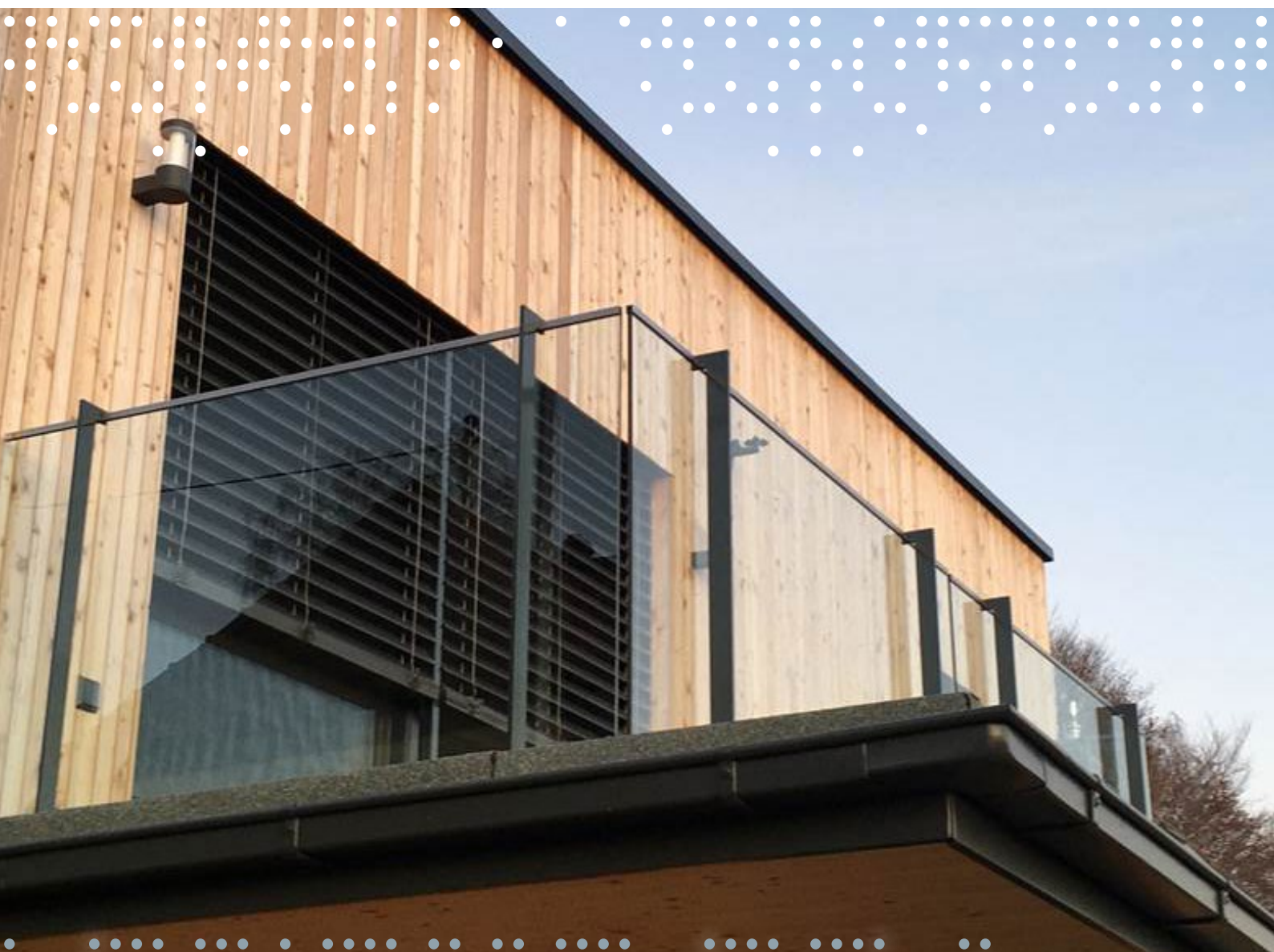


RAL select

Wall profiles on request in RAL 9016, RAL 7016, or individually in RAL of your choice for an additional charge

BALUSTRADE POSTS

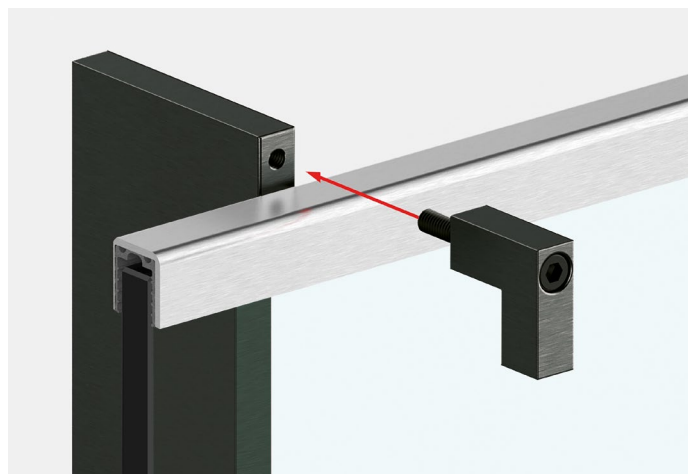
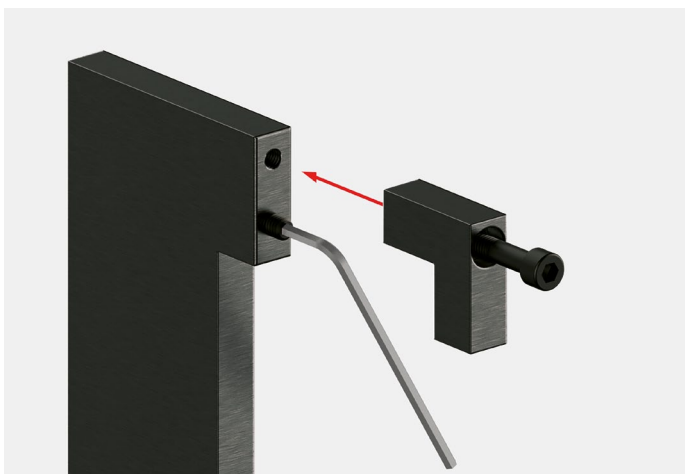
the other generation of balustrades





- safety with abP and beam loads up to 1.0 kN
- galvanized and powder-coated flat steel
- filigree appearance (cross section 12 x 60 mm)
- large post spacing allows glass widths up to 3800 mm
- finite assembly without further bracing in the corners possible
- favorable glass thickness (12,76 mm)
- edge protection against moisture and impact with continuous U-profile made of stainless steel
- two-sided linear glazing according to DIN 18008
- quick glass installation due to upper clamping fixation of the panel
- secure glass mounting due to fixed slot at the base of the post
- narrow glass butts of 10 mm provide higher wind reduction
- suitable for floor and front mounting

abP = german national technical certification



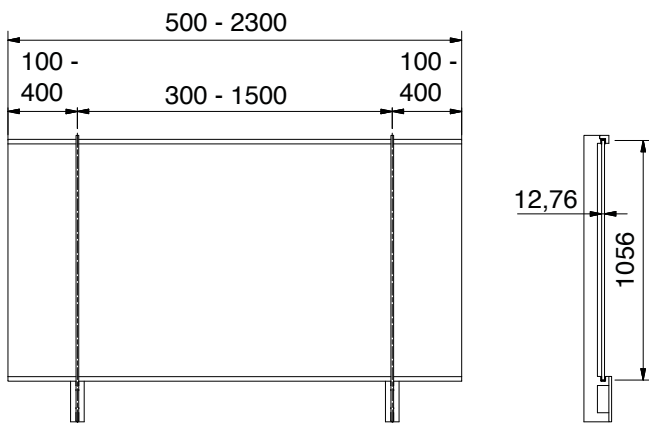
The upper clamp is attached with screws. The clamping of the u-profile can be varied by the grub screw installed in the post.

Test certificates become new numbers when renewed. In these cases contact us for information.

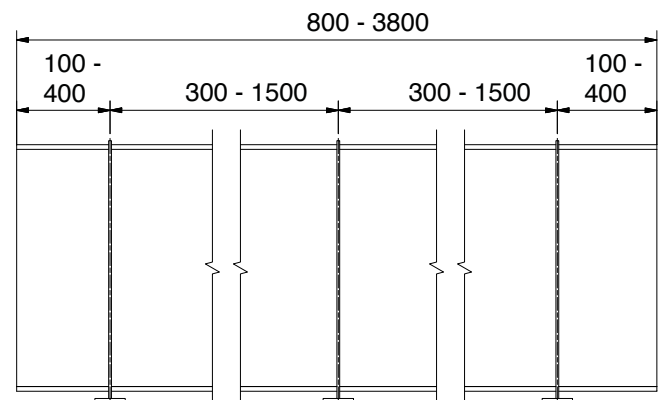
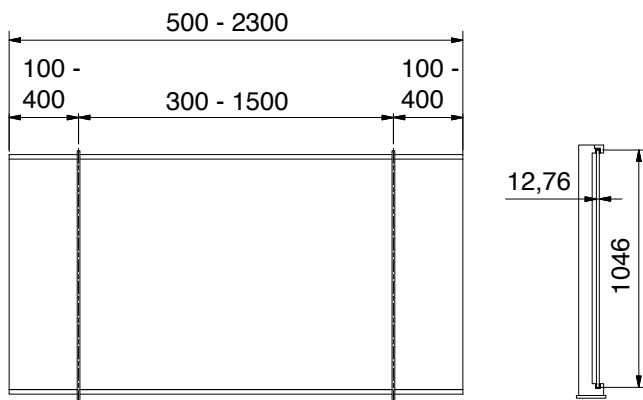
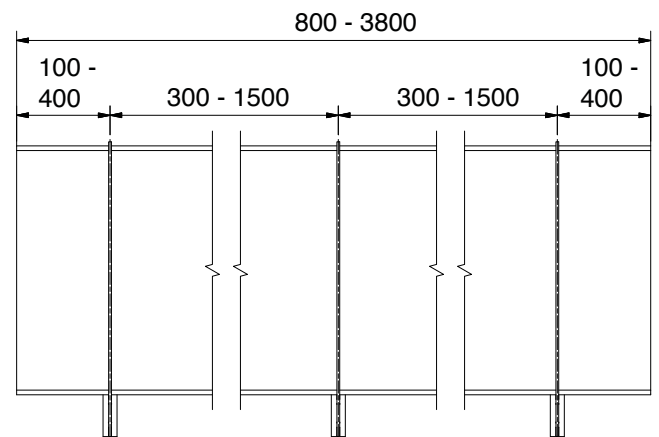
glass composition = LSG of 6mm FTG / FTG-HF, 0,76mm PVB



dimensions for balustrade system with 2 posts



dimensions for balustrade system with 3 posts

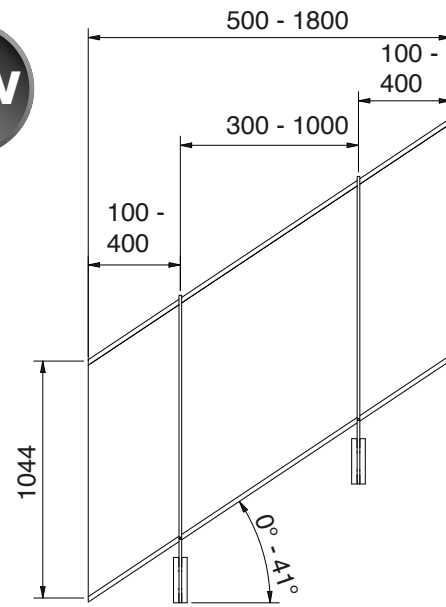


Test certificates become new numbers when renewed. In these cases contact us for information.

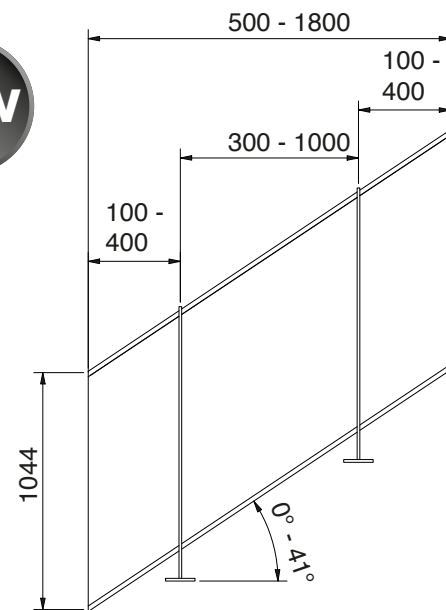
glass composition for stairs = LSG of 6mm FTG / FTG-HF, 0,76mm PVB



NEW

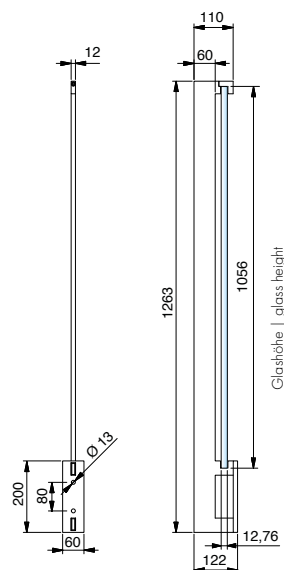


NEW







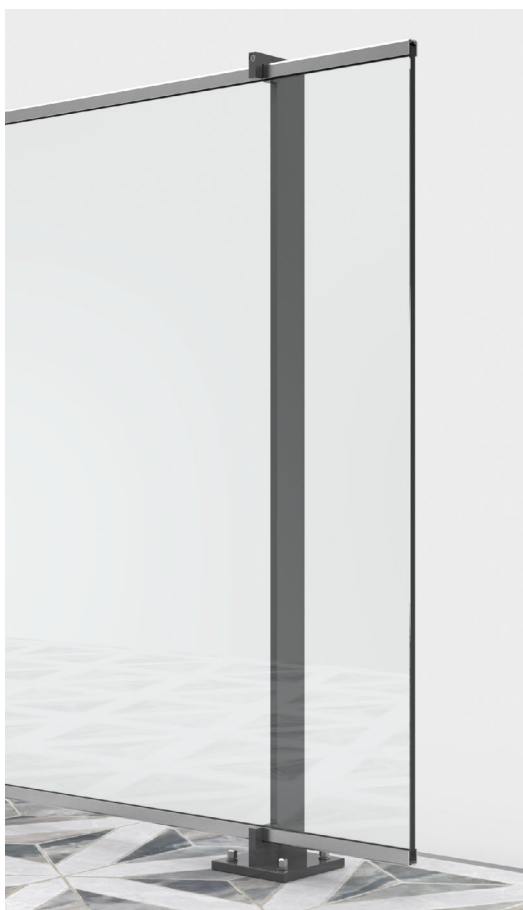
balustrade posts with U-profiles on the upper and lower edges



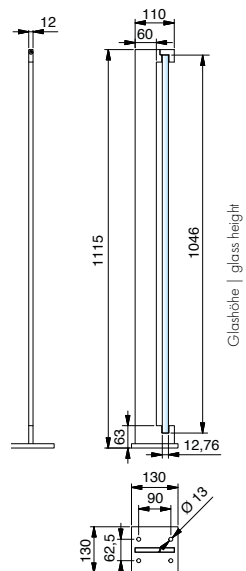
single post for fascia mounting

surface: RAL powder coated

art.-no.	material	safety	
10244912RAL7016	steel, zinc galvanised		12,76 LSG of FTG





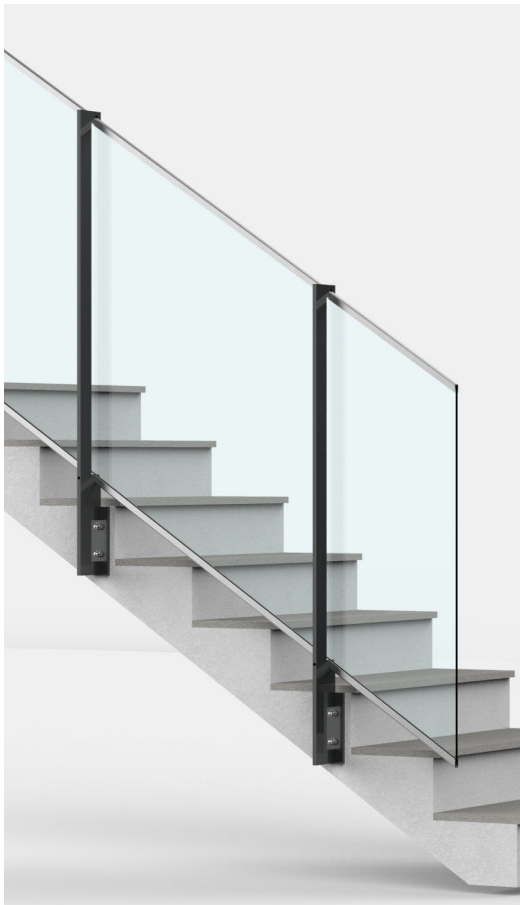
balustrade posts with U-profiles on the upper and lower edges



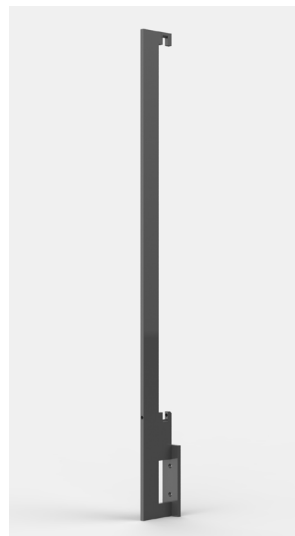
single post for floor mounting

surface: RAL powder coated

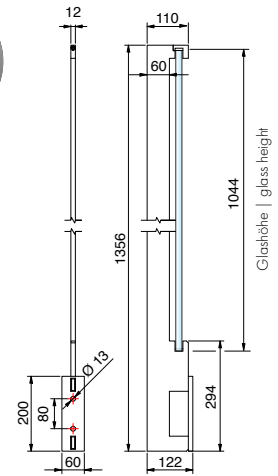
art.-no.	material	safety	
10244812RAL7016	steel, zinc galvanised		12,76 LSG of FTG



balustrade posts with U-profiles on the upper and lower edges



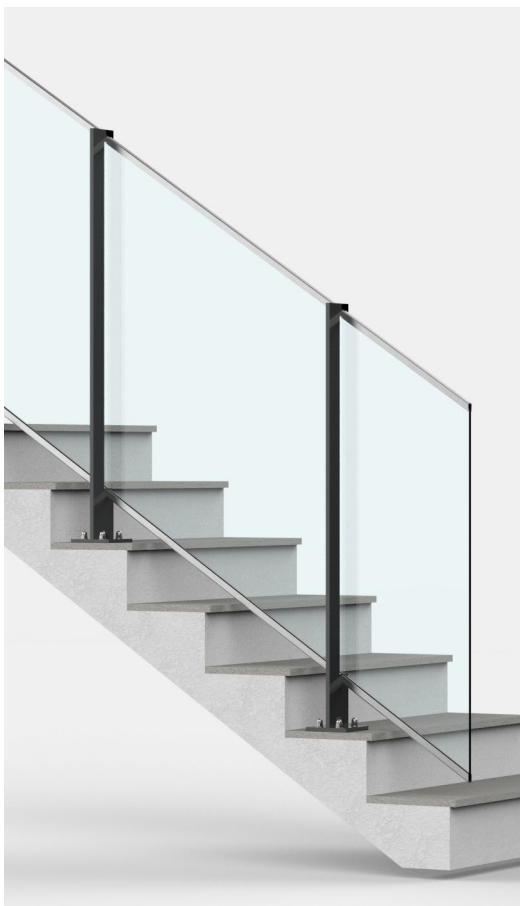
NEW



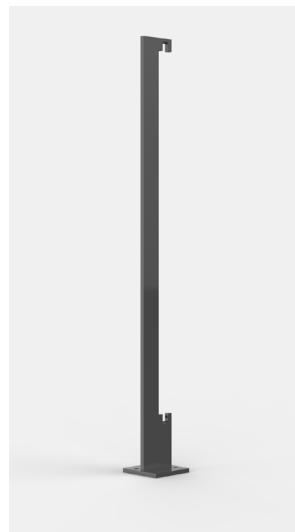
single post for fascia mounting

surface: RAL powder coated

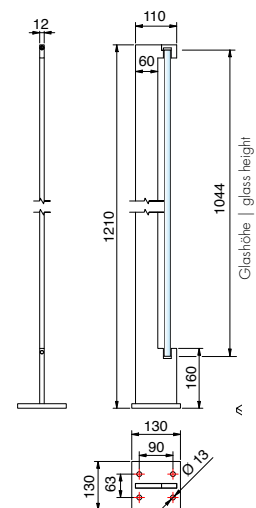
art.-no.	material	safety	
10247812ST8	steel, zinc galvanised		12,76 LSG of FTG



balustrade posts with U-profiles on the upper and lower edges



NEW



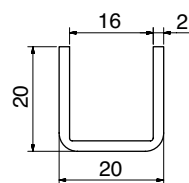
single post for floor mounting

surface: RAL powder coated

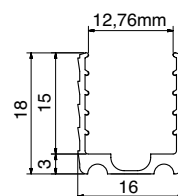
art.-no.	material	safety	
10247712ST8	steel, zinc galvanised		12,76 LSG of FTG



U-profile and elastomer profile




5020VA2-5M/-2500



10245320KU-5M

U-Profil | U-profile

surface: brushed

art.-no.	material		Länge length	surface
5020VA2-2500	A2 304	12,76	2500	grain 320
5020VA2-5M	A2 304	12,76	5000	grain 320
10245320KU-5M	Elastomer	12,76	5000	-



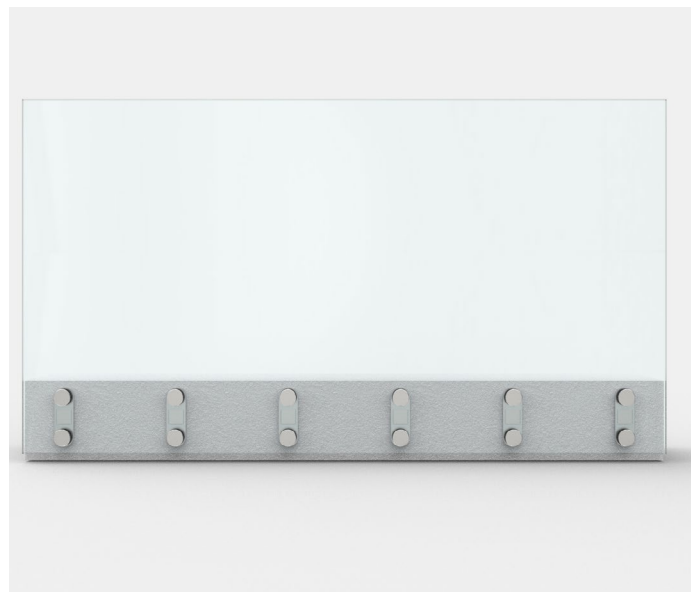
double glass point support



- with adjustment in 3 axes
- only one fixation point to the substructure required
- stainless steel
- glass thickness from 17,52 - 21,52mm
- glass hole 25mm
- adjustment range approx. 9 mm
- concealed fasteners

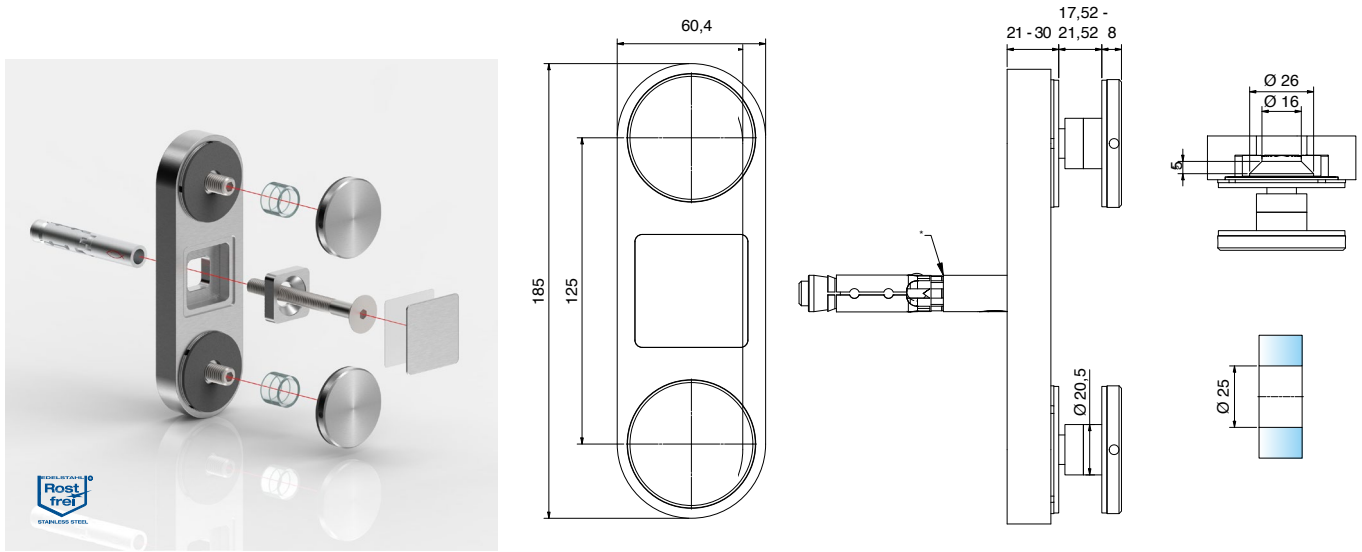


rectangular design



rounded design

double glass point support

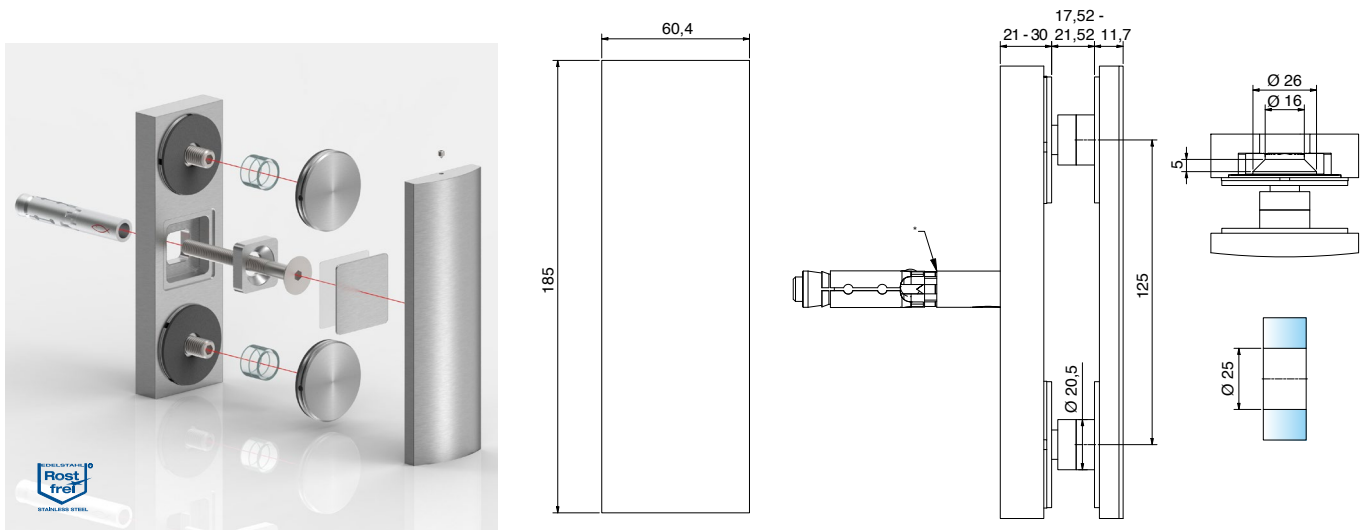


double glass point support – rounded design

surface: stainless steel turned finish



art.-no.	material		glass bore	fastening screw	
7088VA	A2 304	7,52 - 21,52	Ø 25 mm	M10	

*e.g. Fischer high-performance anchor FH II 15/15 SK countersink head



double glass point support – rectangular design

surface: stainless steel turned finish

art.-no.	material		glass bore	fastening screw	
7089VA	A2 304	7,52 - 21,52	Ø 25 mm	M10	

*e.g. Fischer high-performance anchor FH II 15/15 SK countersink head

clamp fixtures

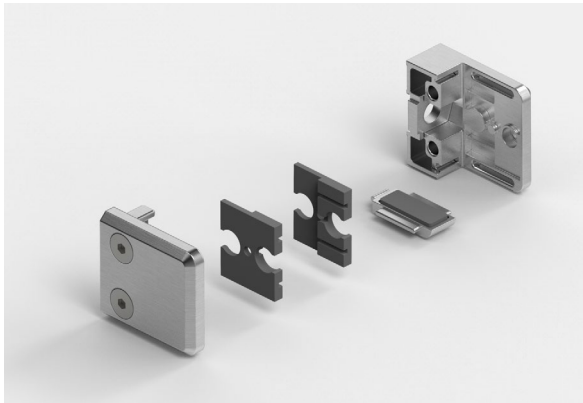


We have revised one of our stainless-steel bestseller clamps visually subtle, but technically extensive. Due to intelligent design, in the future one clamp will be sufficient to use for glass thicknesses from 8 mm to 12.76 mm.

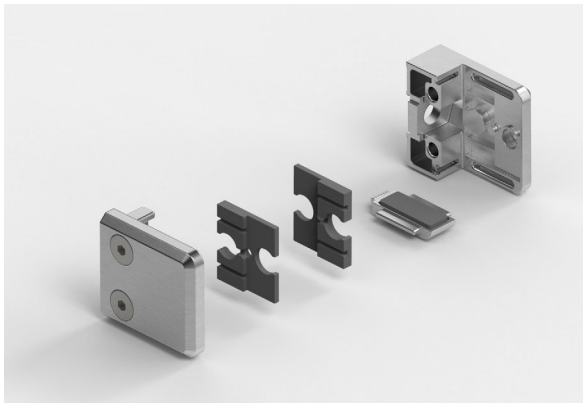
The new and patented shape of the EPDM gaskets makes it possible to adjust to the glass thicknesses by simply „turning“ the gaskets. This reduces storage capacity since now one clamp can be used for glass thicknesses between 8 and 12,76 mm.

- square shape, 48 x 45 mm
- glass thickness up to 12,76 mm
- in 304 and 316
- also approved with safety stud and safety plate
- clamping with only one EPDM- gasket form for different glass thicknesses

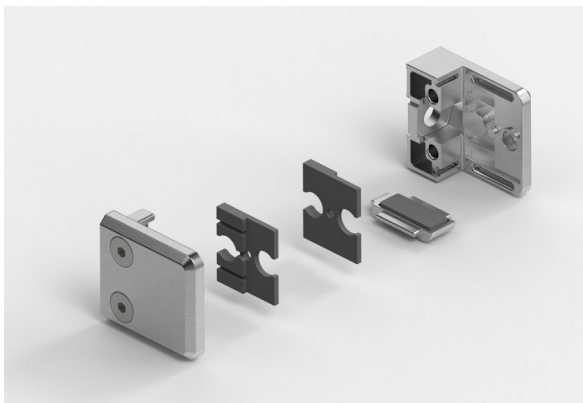
use of the EPDM inlays



for glass 8 / 8,76 mm



for glass 10 / 10,76 mm



for glass 12 / 12,76 mm

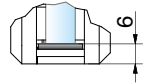
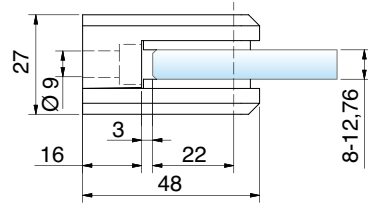
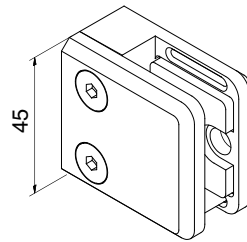
use of the security plate



stainless steel (304)



NEW



MADE IN GERMANY

clamp fixture						
art.-no.			safety	material	also approved with	
4845VA2-A2-V	8,76 mm	8 mm		A2 304		•
	10,76 mm	10 mm				•
	12,76 mm	12 mm				•

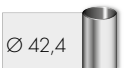
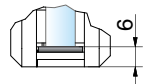
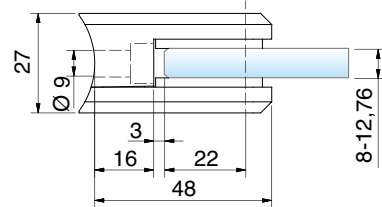
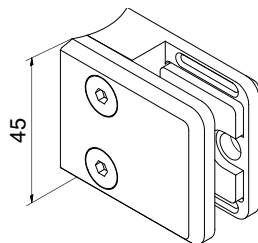
safety stud: 9320VA

safety plate: SP484XVA2-A4

stainless steel (304)



NEW



MADE IN GERMANY

clamp fixture						
art.-no.			safety	material	also approved with	
4847VA2-A2-V	8,76 mm	8 mm		A2 304		R22
	10,76 mm	10 mm				R22
	12,76 mm	12 mm				R22

safety stud: 9320VA

safety plate: SP484XVA2-A4

glass composition

surface

according to abP on www.pauli.de

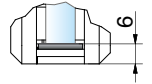
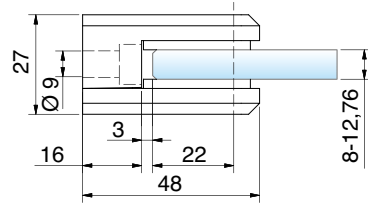
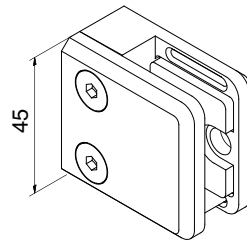


VA2



stainless steel (316)

NEW



MADE IN GERMANY

clamp fixture						
art.-no.			safety	material	also approved with	
4845VA2-A4-V	8,76 mm	8 mm		A4 316		•
	10,76 mm	10 mm				•
	12,76 mm	12 mm				•



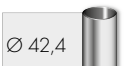
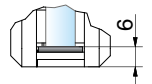
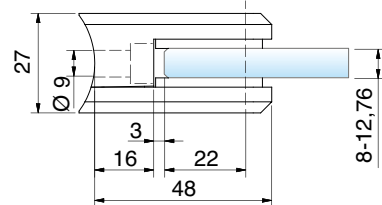
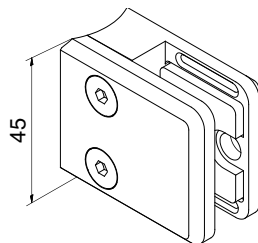
safety stud: 9320VA



safety plate: SP484XVA2-A4

stainless steel (316)

NEW



MADE IN GERMANY

clamp fixture						
art.-no.			safety	material	also approved with	
4847VA2-A4-V	8,76 mm	8 mm		A4 316		R22
	10,76 mm	10 mm				R22
	12,76 mm	12 mm				R22



safety stud: 9320VA



safety plate: SP484XVA2-A4

glass composition

Gemäß abP auf www.pauli.de
according to abP on www.pauli.de

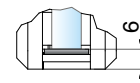
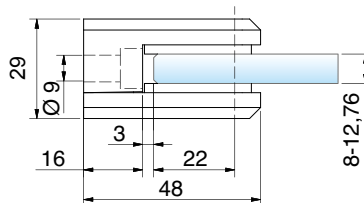
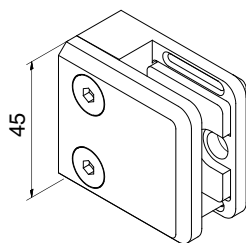
surface



VA2

zinc (ZAMAK®)

NEW



MADE
IN
GERMANY

clamp fixture						
art.-no.			safety	material	also approved with	
4845ZN0-V	8,76 - 12,76 mm	8 - 12 mm	*	ZAMAK®		•
4845ZN12-V	8,76 - 12,76 mm	8 - 12 mm	*	ZAMAK®		•
4845ZN14-V	8,76 - 12,76 mm	8 - 12 mm	*	ZAMAK®		•
4845ZN16-V	8,76 - 12,76 mm	8 - 12 mm	*	ZAMAK®		•
4845ZN1-K-V	8,76 - 12,76 mm	8 - 12 mm	*	ZAMAK®		•
4845ZN1-V	8,76 - 12,76 mm	8 - 12 mm	*	ZAMAK®		•
4845ZN22-K-V	8,76 - 12,76 mm	8 - 12 mm	*	ZAMAK®		•
4845ZN22-V	8,76 - 12,76 mm	8 - 12 mm	*	ZAMAK®		•
4845ZN5-V	8,76 - 12,76 mm	8 - 12 mm	*	ZAMAK®		•

* in Vorbereitung | * in preparation



safety stud: 9320VA



safety plate: SP484XVA2-A4

note: additional EPDM (EPDM484X-V1) available for smaller glass thicknesses:

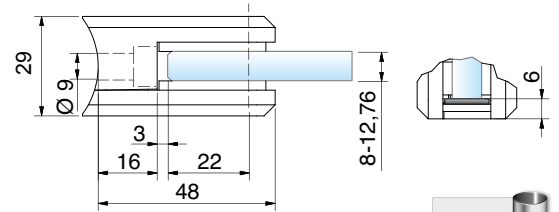
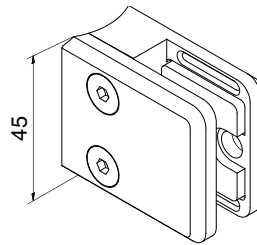
- 6 + 6,76 mm
- 4 mm (plexiglass etc.)
- 2 mm metal sheet

zinc (ZAMAK®)

NEW



MADE
IN
GERMANY



Ø 42,4



clamp fixture						
art.-no.			safety	material	also approved with	
4847ZN0-V	8,76 mm	8 mm	*	ZAMAK®		R22
4847ZN12-V	8,76 mm	8 mm	*	ZAMAK®		R22
4847ZN14-V	8,76 mm	8 mm	*	ZAMAK®		R22
4847ZN16-V	8,76 mm	8 mm	*	ZAMAK®		R22
4847ZN1-K-V	8,76 mm	8 mm	*	ZAMAK®		R22
4847ZN1-V	8,76 mm	8 mm	*	ZAMAK®		R22
4847ZN22-K-V	8,76 mm	8 mm	*	ZAMAK®		R22
4847ZN22-V	8,76 mm	8 mm	*	ZAMAK®		R22
4847ZN5-V	8,76 mm	8 mm	*	ZAMAK®		R22

* in Vorbereitung | * in preparation



safety stud: 9320VA



safety plate: SP484XVA2-A4

note: additional EPDM (EPDM484X-V1) available for smaller glass thicknesses:

- 6 + 6,76 mm
- 4 mm (plexiglass etc.)
- 2 mm metal sheet



products for photovoltaic modules balustrades, canopies and facades

Photovoltaic modules integrated into the architecture today are an integral part of planning - with a strong upward trend! The desire for maximum independence in the energy supply of buildings and the need for a climate-friendly heat transition make photovoltaics indispensable for building projects in the future. Pauli + Sohn has developed solutions for this fast-growing area of application, in order to use free areas from rooftops, facades and balustrades efficiently, and at the same time aesthetically. The focus was also on building regulations. Our products have all been tested and the corresponding safety has been confirmed. During the development, the ease of installation was also a decisive aspect. The fact that form and function can harmonize perfectly, is demonstrated here with simple invisible cabling, which we tailor and supply to the desired product.

frameless glass balustrades



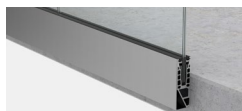
The combination of CP balustrade profiles and PV modules is not only strong in design. The PV-System has **passed all tests** and has been **added to the existing the existing national technical test certificate (abP)**. The well thought-out design **allows for easy, final installation** by the electrician or solar installer. **All components incl. cables and connectors are included** in the delivery to ensure a problem-free installation.

photovoltaic output [kWp] per m = 0,16 kWp

Our frameless glass balustrade systems are suitable for the following applications:

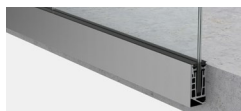
- frameless-glass balustrades with handrail
- french balconies
- for balustrade and staircase installation (1442/1443)
- for top-mounting integration in the floor construction (1440)
- for floor construction (1444)

Brackets for mounting on a substructure are also available. Static calculations are available for these products.



cp-1442

for balustrade and staircase installation



cp-1443

for balustrade and staircase installation



cp-1440

for top-mounting integration in the floor construction



cp-1444

for floor construction

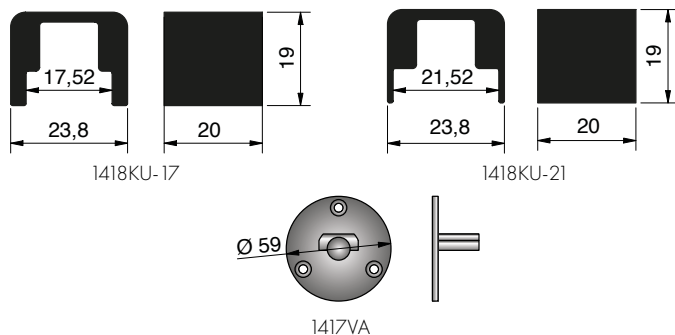
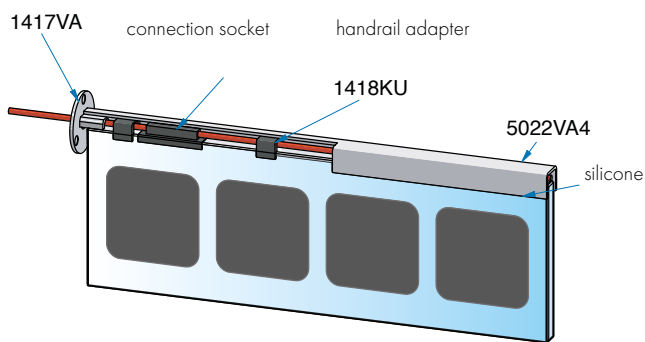
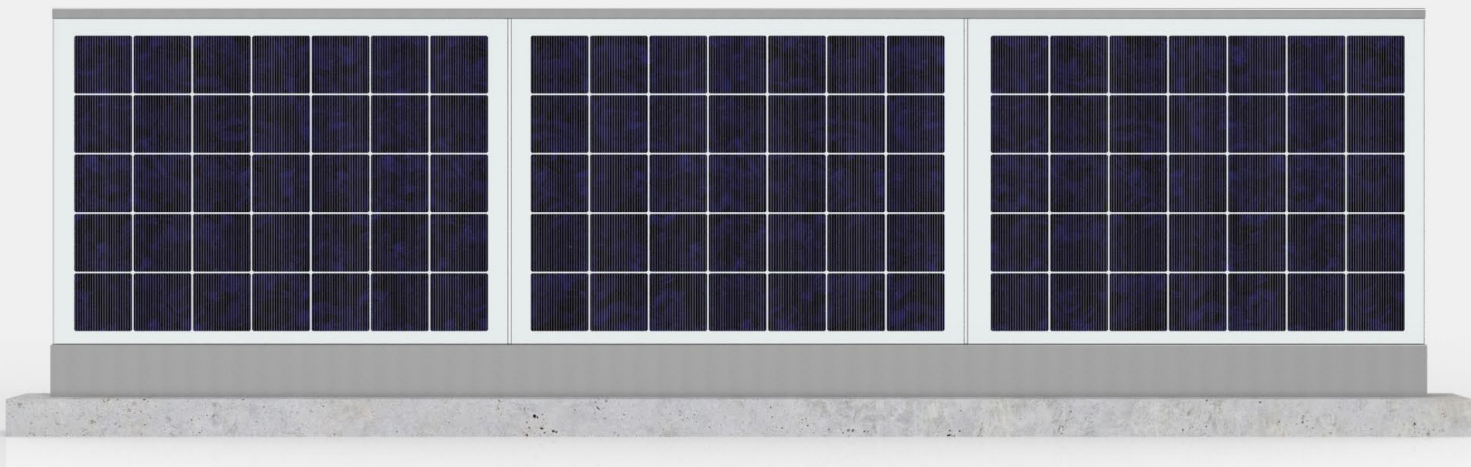


enquiry sheet for PV glass

We can assist you!
Simply completely fill out our inquiry sheet and we support you.



frameless glass balustrades



panel structure (LSG with FTG or FTG-HF)	permissible panel dimensions	
	width (min. – max.)	height incl. 100 mm clamping depth (min. - max.)
8 mm / 0,76 mm PVB / PV-Zellen / 0,76 mm PVB / 8 mm (17,52 mm)	500 mm - 6000 mm	1200 mm
10 mm / 0,76 mm PVB / PV-Zellen / 0,76 mm PVB / 10 mm (21,52 mm)	500 mm - 6000 mm	1200 mm

example calculation

Location: **Munich**

the balcony is **south-facing** and has a **length of 8.4 m**.

photovoltaic output [kWp]	grid input [kWh]	specific annual yield [kWh/kWp/a]	saved electricity costs per year (40 ct pro per kWh)	saved electricity costs 20 year* (40 ct pro per kWh)
1,32 kWp	1022 kWh	771,25	408,80 €	8176 €

support system cp-mini

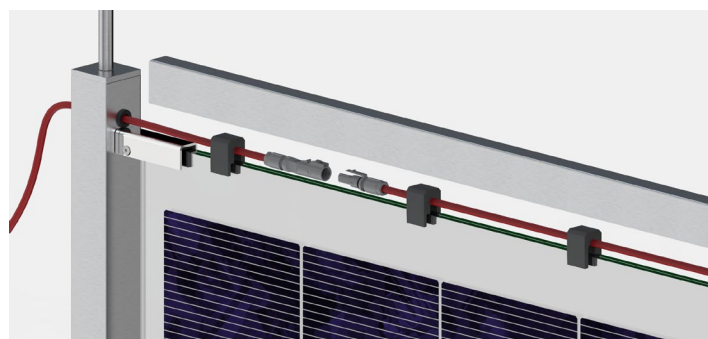
The PV-System includes the **cp-mini system supports for PV-modules, the posts and all necessary connecting elements**. Particularly aesthetically is the concealed cabling. The safety of the construction and suitability as a balustrade element has of course been proven. The system is particularly **easy to install** and can be effortlessly connected by an electrician or solar installer.

photovoltaic output [kWp] per m = 0,13 kWp

- **verification of the load-bearing capacity**, under impact loads of the glazing and its direct attachment (bracket, fasteners) in connection with the PV-panels is provided
- **static calculations** are available
- concealed wiring of the module above the edge of the glass

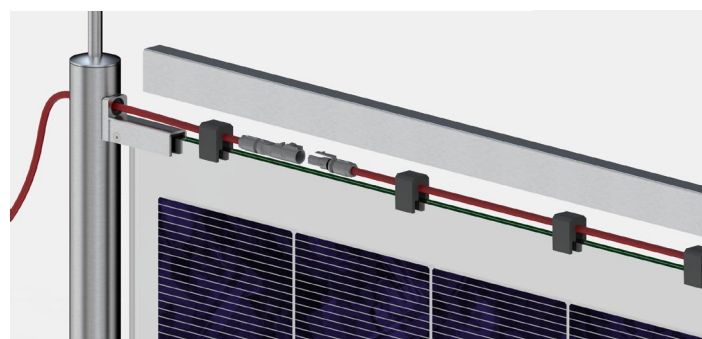


connection squared tube



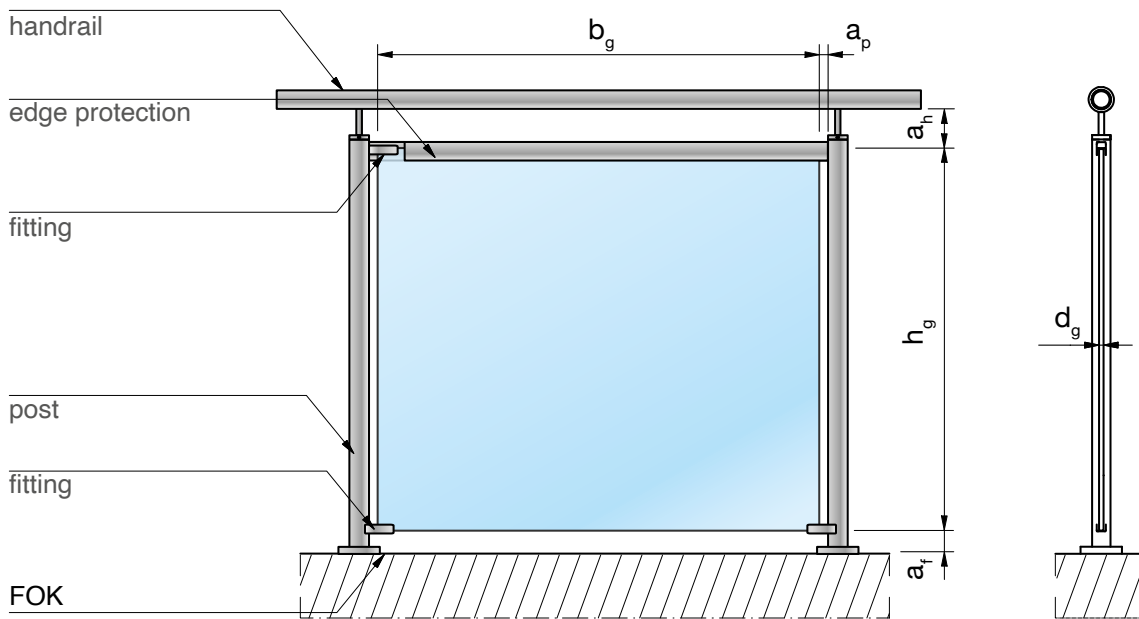
9410VA 9410VA 9409VA-1500 9408POM-12 S6912A2D6X30

connection rounded tube



9420VA 9420VA-EL 9419VA-1500 9408POM-12 S6912A2D6X30

support system cp-mini



	min.	max.
width of glazing	b_g 500	1400
height of glazing	h_g 800	1000
thickness of glazing	d_g 13,52	13,52
clearance post to glazing	a_p 24	24
clearance between handrail to upper edge of glass	a_h 10	30*
clearance between handrail and upper glass edge	a_t 10	30*
*without edge protection		

enquiry sheet for PV glass



We can assist you!
Simply completely fill out our inquiry sheet and we support you.

canopy VD1511



Our new canopy system meets the highest standards of quality and safety and has a general construction technique permit.

The PV-module is commonly laminated onto the glass and its design ensures the highest possible stability and efficient energy generation. The elegant, invisible cabling was specially developed for this application and is ensured by an elegant veneer.

dimensions: 1200 x 1998 mm

photovoltaic output [kWp] per m = 0,18 kWp



compressed facts of the aBG = General construction technique permit:

- 17,52 mm LSG made of HSG with an interlayer of PVB or SentryGlas® SG 5000 according to aBG 70.3-253
- versatile panels as well as glass cutouts are possible
- roof pitch 10 ° (In addition, it is possible to adjust the wall profile to be inclined upwards by 9 °)
- maximum outspan with LSG 17,52 mm
with SentryGlas® : 1100mm
with PVB : 1000mm
- maximum outspan with VSG 21,52 mm
with PVB and SentryGlas®: 1200 mm

Several profiles may be mounted in line to support one long panel, which (for example) extend over the entire facade front. Please make sure that the maximum width of 3000 mm is not exceeded and that all contact fixtures and the two outer fixing elements are used.

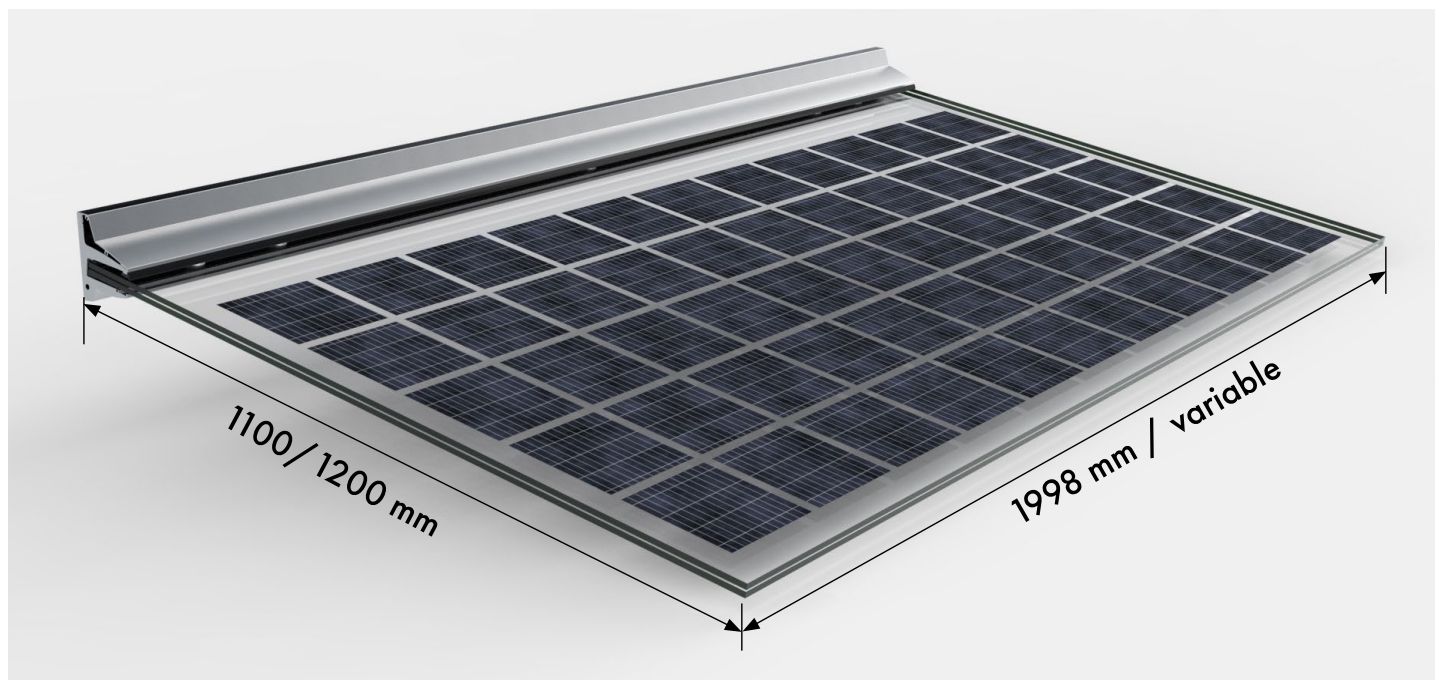


verified residual load capability for 17,52 mm and 21,52 mm glass

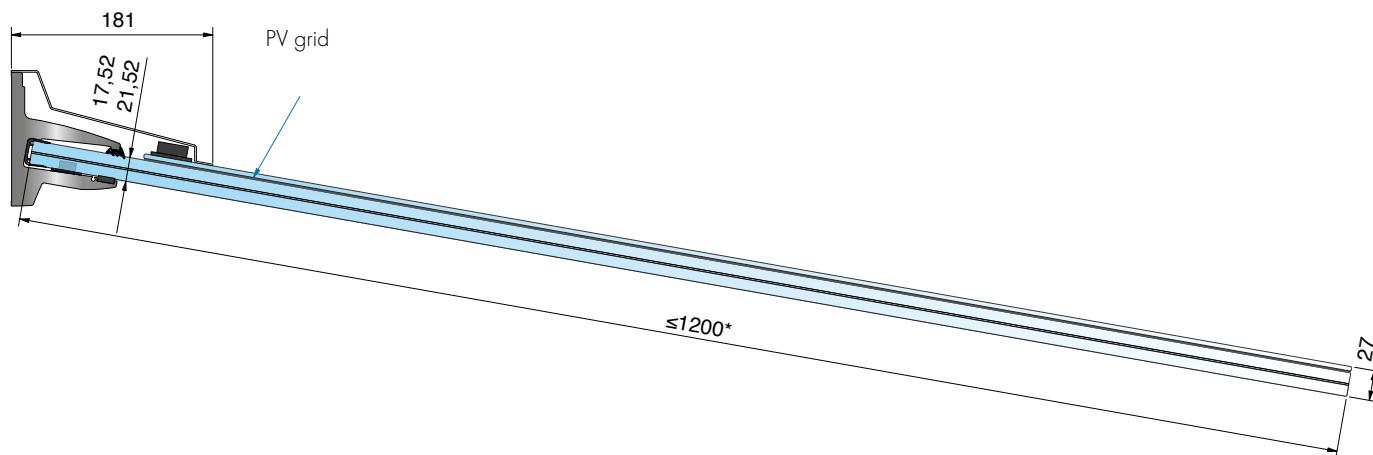


static calculation according to DIN 18008 available

canopy VD1511



1511E6EV1-21-2000P



Sample calculation

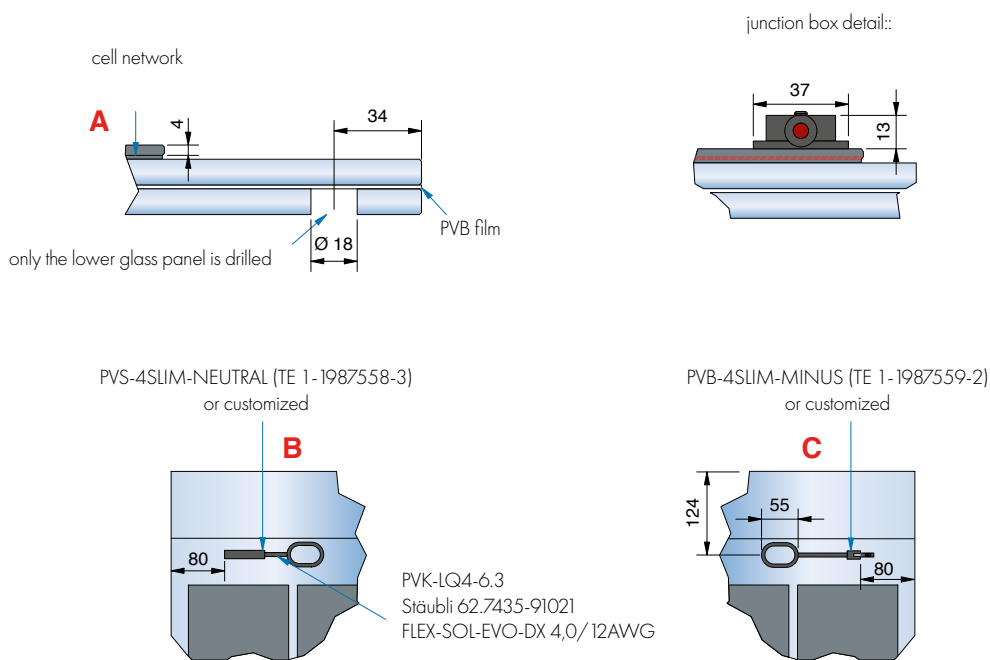
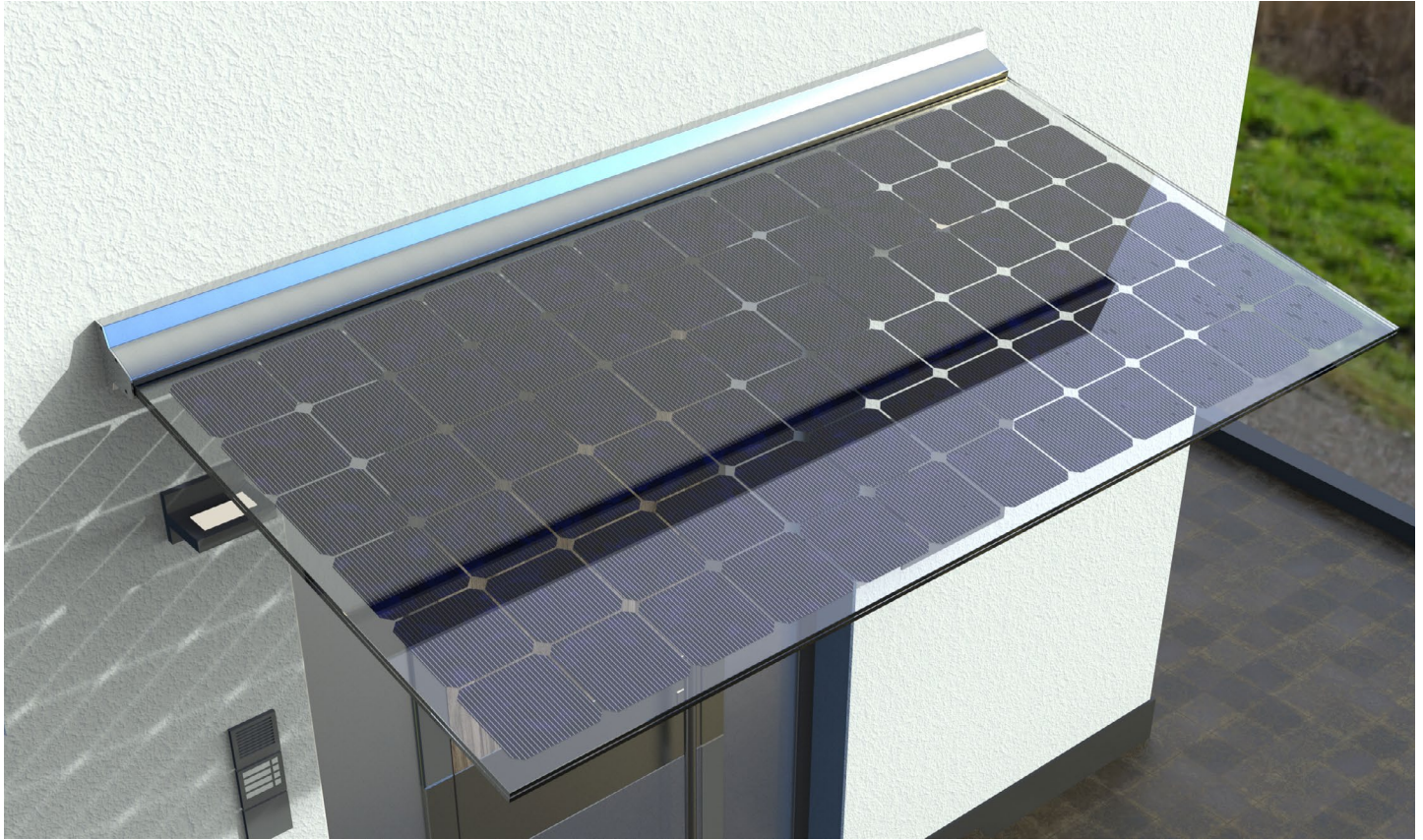
Location: **Munich**

The canopy faces south and has one module.

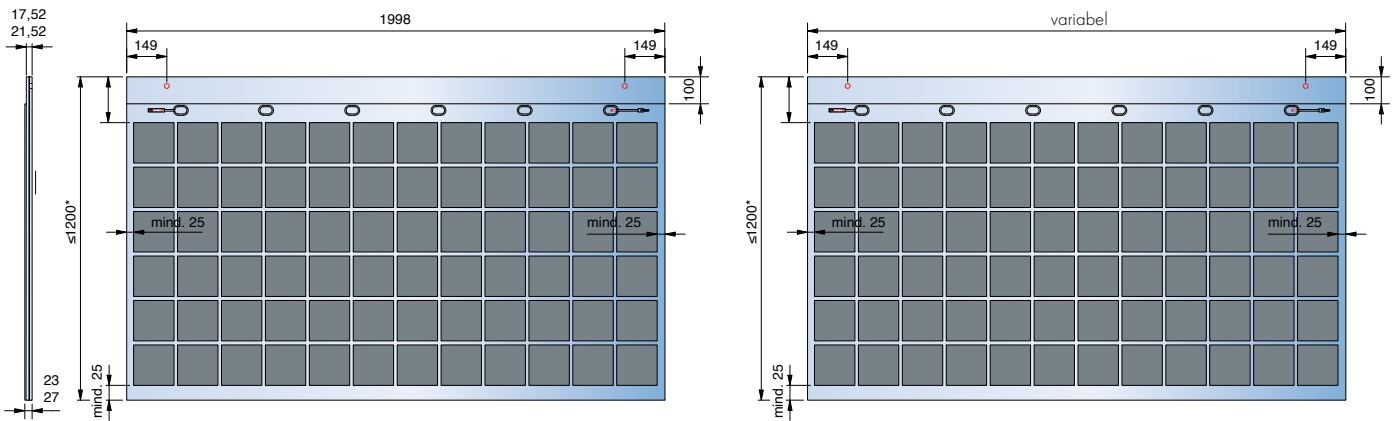
photovoltaic output [kWp]	grid input [kWh]	specific annual yield [kWh/kWp/a]	saved electricity costs per year (40 ct pro per kWh)	saved electricity costs 20 year* (40 ct pro per kWh)
0,36 kWp	355 kWh	990,71	142,00 €	2840 €

* for self consumption

canopy VD1511



canopy VD1511



canopy-wall-profile with photo voltaic

material: aluminium/ surface: aluminium look, anodised silver

art. no.		fixation holes	outspan PVB film	outspan SentryGlas®	glass width	total width
1511E6EV1-17-2000P	17,52 mm	10x	≤1000 mm	≤1100 mm	1998 mm	2007 mm
1511E6EV1-17-P-V	17,52 mm	individuell custom	≤1000 mm	≤1100 mm	individuell custom	individuell custom
1511E6EV1-21-2000P	21,52 mm	10x	≤1000 mm	≤1100 mm	1998 mm	2007 mm
1511E6EV1-21-P-V	21,52 mm	individuell custom	≤1000 mm	≤1100 mm	individuell custom	individuell custom



verified residual load capability for 17,52 mm and 21,52 mm glass



static calculation according to DIN 18008 available

self-supporting canopy system with PV



Assembly instructions

enquiry sheet for PV glass

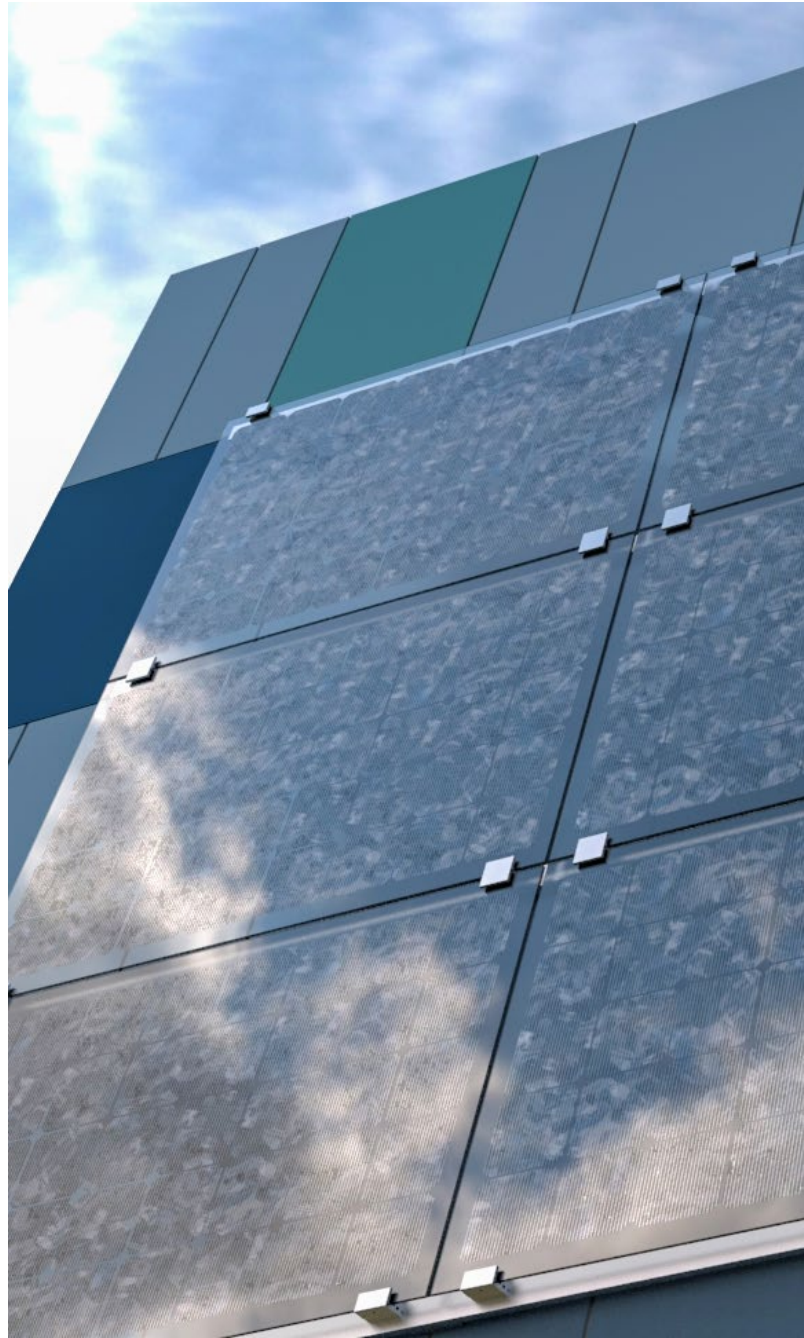


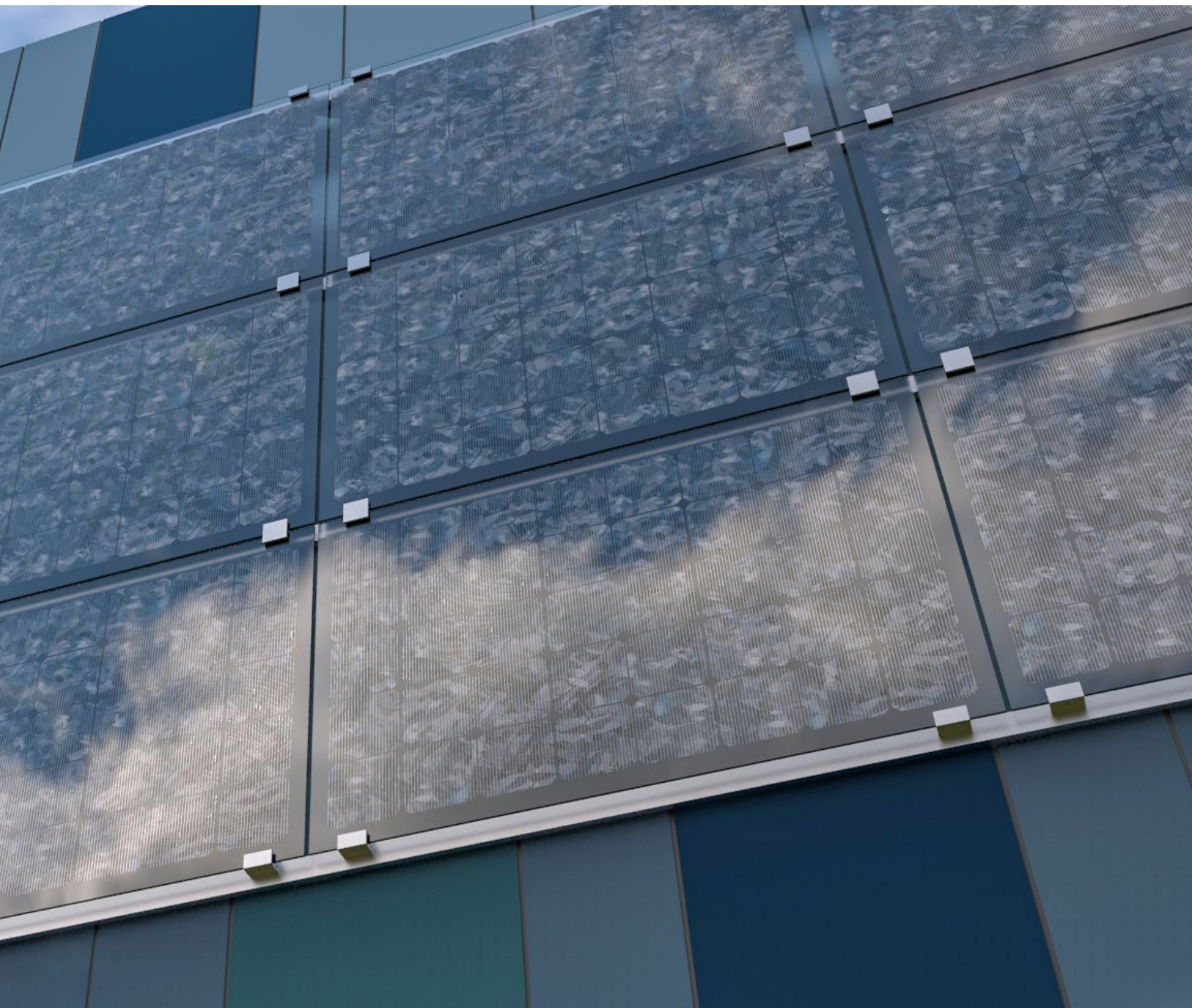
We can assist you!
Simply completely fill out our inquiry sheet and we support you.

design study facade clamp

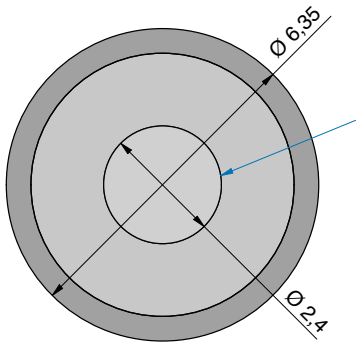
For curtain-type, rear-ventilated facades:

- mounting on flat-steel substructure up to max. 15 mm possible
- clamping i.e. glass fixation via rubber profile
- usable with all panel types
- single modules/panels exchangeable
- panel-thickness: 7 - 12.76 mm
- surfaces:
E6EV1 - silver-colored anodized/ E6C35 - black matt anodized





accessoires



52x0,3mm (4mm²) AWG 12
max. conductor resistance/20°C
= 5,09Ω/km

PV-cable

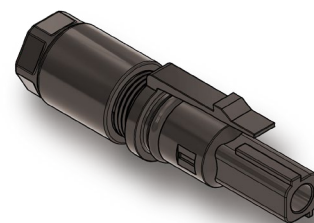
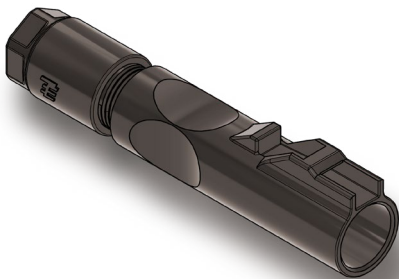
Stäubli 62.7435-91021 FLEX-SOL-EVO-DX 4,0/12AWG

art. no.	discription
PVK-LQ4-6.3	LQ 4 mm ² , A Ø 6,3 mm

Halogen free, low smoke, flexible, single-core, cross-linked double layers photovoltaic cables, in particular for use at direct current (DC) side of photovoltaic systems.

These cables are designed to match with most PV components according to class II with a nominal DC voltage of 1.5 kV (IEC) between conductors and between conductor and earth.

- The maximum permitted operating DC voltage is 1.8 kV.
- The maximum operating voltage for UL applications is 2 kV.
- The cables are in compliance with IEC 62930 and EN 50618 as well as with UL4703.
- The cables are designed to operate at a normal continuous maximum conductor temperature of 90 °C.
- The permissible period of use at a maximum conductor temperature of 120 °C is limited to 20000 h



Connector for CAT-B + cp-mini + VD1511

TE 1-1987558-3

art. no.	discription
----------	-------------

PVS-4SLIM-NEUTRAL	connector pin slim neutral , coded 4 mm ²
-------------------	---

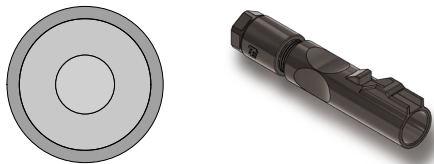
Connector for CAT-B + cp-mini + VD1511

TE 1-1987559-2

art. no.	discription
----------	-------------

PVB-4SLIM-MINUS	connector socket slim, negative , coded 4 mm ²
-----------------	--

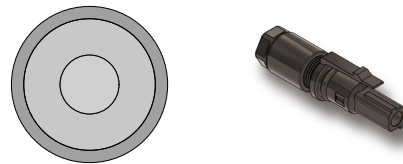
accessoires



connection set with PV-cable

von Modul zu Wechselrichter mit einseitig vormontiertem Stecker an der Modulseite
 from module to inverter with connector pre-mounted on one side of the module

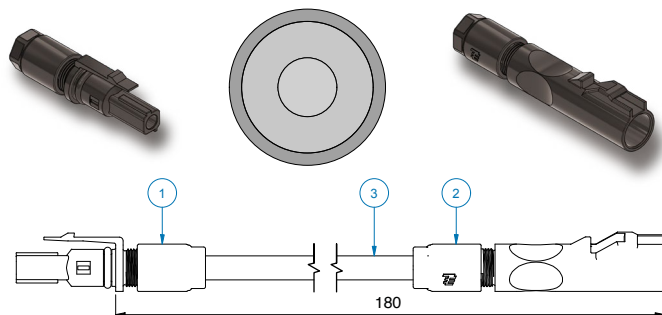
art. no.	Beschreibung discription	Länge length
PVK-LQ4-6.3-SN-5M	LQ 4 mm ² , A Ø 6,3 mm mit 1x PVS-4SLIM-NEUTRAL montiert mounted with 1x PVS-4SLIM-NEUTRAL	5 m
PVK-LQ4-6.3-SN-10M	LQ 4 mm ² , A Ø 6,3 mm mit 1x PVS-4SLIM-NEUTRAL montiert mounted with 1x PVS-4SLIM-NEUTRAL	10 m
PVK-LQ4-6.3-SN-20M	LQ 4 mm ² , A Ø 6,3 mm mit 1x PVS-4SLIM-NEUTRAL montiert mounted with 1x PVS-4SLIM-NEUTRAL	20 m



connection set with PV-cable

von Modul zu Wechselrichter mit einseitig vormontiertem Stecker an der Modulseite
 from module to inverter with connector pre-mounted on one side of the module

art. no.	Beschreibung discription	Länge length
PVK-LQ4-6.3-BM-5M	LQ 4 mm ² , A Ø 6,3 mm mit 1x PVB-4SLIM-MINUS montiert mounted with 1x PVB-4SLIM-MINUS	5 m
PVK-LQ4-6.3-BM-10M	LQ 4 mm ² , A Ø 6,3 mm mit 1x PVB-4SLIM-MINUS montiert mounted with 1x PVB-4SLIM-MINUS	10 m
PVK-LQ4-6.3-BM-20M	LQ 4 mm ² , A Ø 6,3 mm mit 1x PVB-4SLIM-MINUS montiert mounted with 1x PVB-4SLIM-MINUS	20 m



cable for Reihenmontage VD 1511

art. no.	discription	length
PVK-LQ4-6.3SNBM018	mounted with 1x PVS-4SLIM-NEUTRAL and 1x PVB-4SLIM-MINUS	180 mm



Druckprodukt mit finanziellem
Klimabeitrag

ClimatePartner.com/11798-2403-1004

All images, technical drawings and descriptions are copyrighted property of the Pauli + Sohn GmbH. Technical measurements within the catalog are not binding and are subject to change. Any liability for printing errors which have occurred during the preparing of this brochure is excluded.

www.pauliscand.se
technical status: March 2024

Pauli Scandinavia AB 
Member of Pauli + Sohn GmbH group

Pauli Scandinavia AB

Pauli Scandinavia AB
Fågelviksvägen 18, Hus 3,
145 53 Norsborg

Tel. +46 8 449 32 00

Fax +46 8 449 32 01

info@pauliscand.se

www.pauliscand.se