

TILLBEHÖR FÖR RÄCKESSYSTEM

STAINLESS STEEL RAILING COMPONENTS

Produktkatalog
product catalog



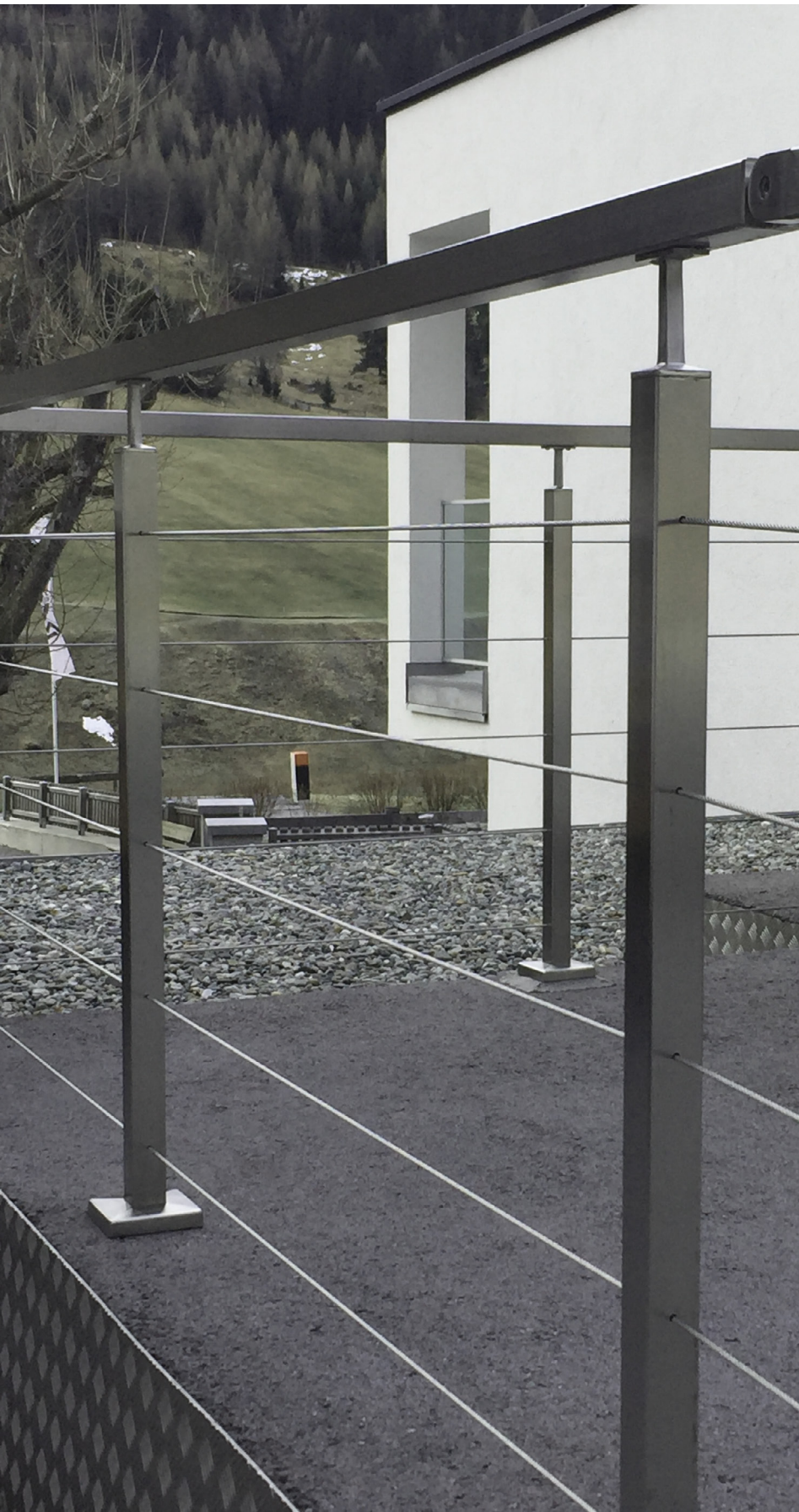
Pauli Scandinavia AB
Member of Pauli + Sohn GmbH group



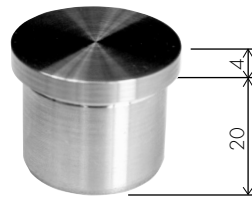
stainless steel railing components

endcaps	2
handrail support + accessories	8
tube connectors + accessories	12
cross bar holder	16
point and sheet holder	18
wooden handrails	19
balustrade post brackets	20
welding and anchor plates	22
cover plates	25
tubes + bars	26
system posts	28





stainless steel railing components



end caps

turned flat, hollow, knurled

art. no.	material	tube Ø
10 20 08 33	A2 304	33,7 x 2,0
10 20 08 42	A2 304	42,4 x 2,0

end cap

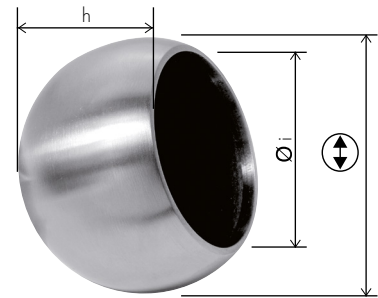
turned flat, hollow

art. no.	material	tube Ø
8546VA4	A4 316	30 x 2,0

end caps

turned oval, hollow, knurled

art. no.	material	tube Ø
10 20 10 33	A2 304	33,7 x 2,0
10 20 10 42	A2 304	42,4 x 2,0



end caps

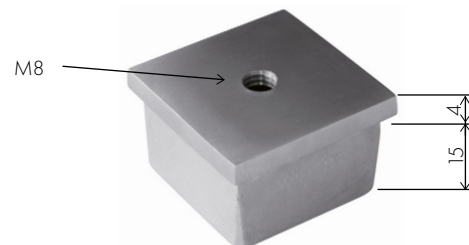
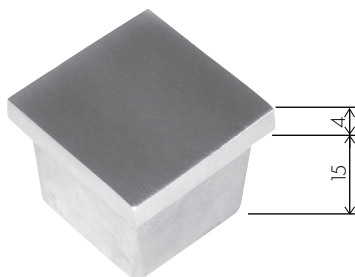
turned round, hollow, knurled

art. no.	material	tube Ø
10 24 21 33	A2 304	33,7 x 2,0
10 24 21 42	A2 304	42,4 x 2,0

ball end caps

turned grain 320

art. no.	material	h	Ø i
10 60 14 00	A2 304	33	45
10 60 09 00	A2 304	42	55



end caps

flat, hollow, grain 320

art. no.	material	tube
10 30 87 00	A2 304	40 x 40 x 2,0
10 30 47 00	A4 316	40 x 40 x 2,0

end caps

flat, hollow, grain 320

art. no.	material	tube
10 30 89 00	A2 304	40 x 40 x 2,0
10 31 24 00	A4 316	40 x 40 x 2,0



end caps

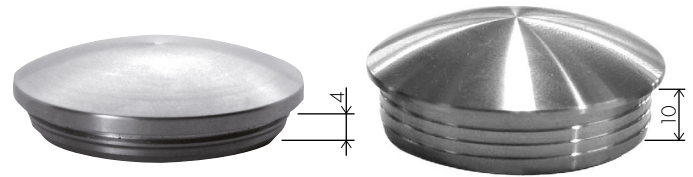
turned flat, solid, knurled

art. no.	material	tube Ø	H
10 00 02 00	A2	26,9 x 2,0	10
10 00 03 00	A2	33,7 x 2,0	12
10 00 04 00	A2	42,4 x 2,0	12
10 24 40 42	A2	42,4 x 3,0	12
10 00 06 00	A2	48,3 x 2,0	12
10 55 08 00	A4	33,7 x 2,0	10
10 55 09 00	A4	42,4 x 2,0	10

end caps

turned oval, solid, knurled

art. no.	material	tube Ø	H
10 00 08 00	A2	33,7 x 2,0	12
10 00 09 00	A2	42,4 x 2,0	12
10 24 43 42	A2	42,4 x 3,0	12
10 00 11 00	A2	48,3 x 3,0	12
10 55 10 00	A4	33,7 x 2,0	10
10 55 11 00	A4	42,4 x 2,6	10



end caps

turned round, solid, knurled

art. no.	material	tube
10 00 13 00	A2	33,7 x 2,0
10 00 14 00	A2	42,4 x 2,0

end caps

turned oval solid, with fins

art. no.	material	tube
10 00 01 00	A2	42,4 x 2,0
10 00 35 00	A2	42,4 x 2,6



end caps

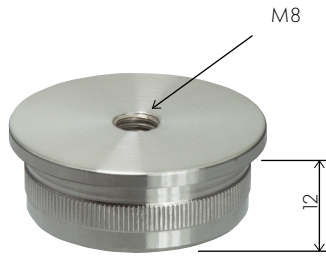
turned oval, hollow

art. no.	material	tube Ø	H
10 00 20 00	A4	33,7 x 1,5-2,6	25
10 00 21 00	A4	42,4 x 1,5-2,6	26
10 00 28 00	A4	48,3 x 2,0-2,6	26

end caps for welding

oval, rough

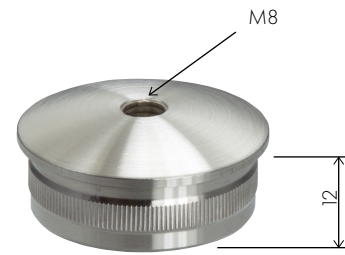
art. no.	material	tube Ø
10 90 03 00	A2	33,7
10 90 04 00	A2	42,4
10 90 05 00	A2	48,3
10 90 06 00	A2	60,3



end caps

flat with internal thread M8, solid

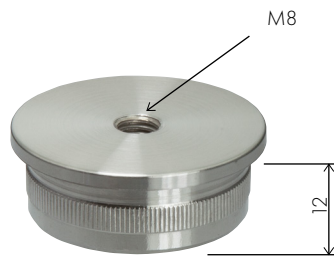
art. no.	material	tube Ø
10 00 22 00	A2 304	33,7 x 2,0
10 00 23 00	A2 304	42,4 x 2,0
10 24 41 42	A2 304	42,4 x 3,0
10 55 05 00	A4 316	42,4 x 2,0



end caps

oval with internal thread M8, solid

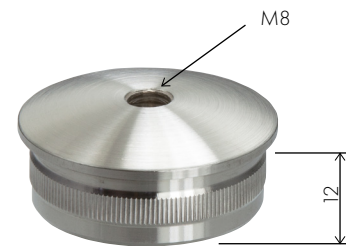
art. no.	material	tube Ø
10 00 24 00	A2 304	33,7 x 2,0
10 00 25 00	A2 304	42,4 x 2,0
10 00 36 00*	A2 304	42,4 x 2,6
10 24 42 42	A2 304	42,4 x 3,0



end caps

flat with internal thread M8, hollow

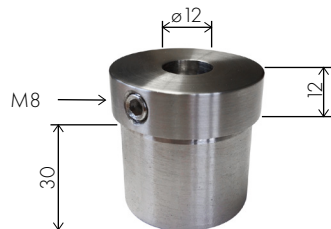
art. no.	material	tube Ø
10 20 46 33	A2 304	33,7 x 2,0
10 20 46 42	A2 304	42,4 x 2,0
10 24 12 42	A2 304	42,4 x 2,6



end caps

oval with internal thread M8, hollow

art. no.	material	tube Ø
10 20 48 42	A2 304	42,4 x 2,0

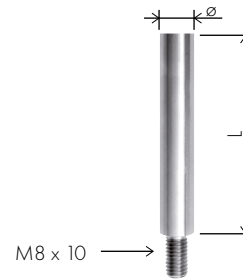
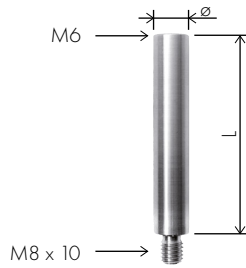


end caps

adapter for handrail support, height adjustable

art. no.	material	tube Ø
10 24 55 42	A2 304	42,4 x 2,0





handrail supports

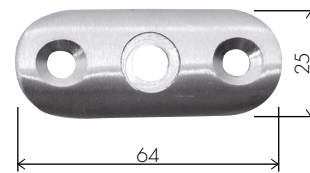
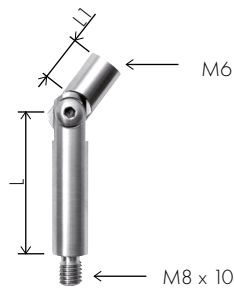
with internal thread M6

art. no.	material	Ø	L
10 24 22 12	A2 304	12	50
10 90 18 00	A2 304	12	65
10 90 19 00	A2 304	12	115
10 90 44 00	A2 304	14	65
10 55 03 00	A4 316	12	65

handrail supports

with external thread M8x10

Art.-no.	material	Ø	L
10 24 23 12	A2 304	12	50
10 24 24 12	A2 304	12	70
10 90 02 00	A2 304	12	120



handrail supports

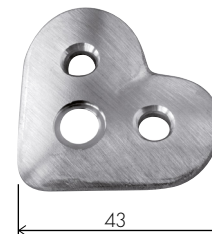
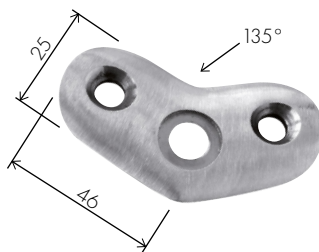
with tilt joint, Internal thread M6, external thread M8x10

art. no.	material	Ø	L	L1
10 90 20 00	A2 304	12	46	20
10 55 02 00	A4 316	12	46	20

adapter plates

for round tube, countersunk on both sides

art. no.	material	adapter Ø
10 90 01 00	A2 304	33,7 - 42,4
10 90 36 00	A2 304	48,3 - 60,3
10 90 23 00	A2 304	Flach Flat
10 55 01 00	A4 316	33,7 - 42,4



adapter plates

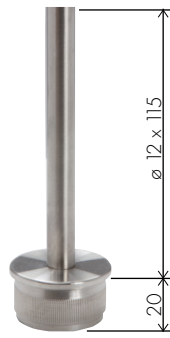
135° for round, countersunk on both sides, Korn 320

art. no.	material	adapter Ø
10 90 39 00	A2 304	33,7 - 42,4
10 90 40 00	A2 304	48,3 - 60,3

adapter plates

90° for round or square tube, countersunk on both sides, grain 320

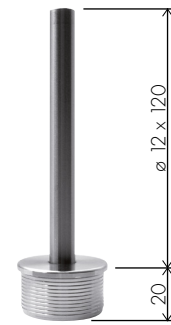
art. no.	material	adapter Ø
10 90 37 00	A2 304	33,7 - 42,4
10 90 38 00	A2 304	48,3 - 60,3



handrail support

solid, plug length 20 mm, pin \varnothing 12 x 115 mm, grain 320

Art.-Nr. art. no.	Material material	Rohr \varnothing tube \varnothing
10 20 17 42	A2 304	42,4 x 2,0

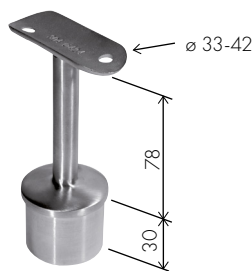


welded

handrail support

solid with fins, plug length 20 mm, pin \varnothing 12 x 120 mm welded, grain 320

Art.-Nr. art. no.	Material material	Rohr \varnothing tube \varnothing
10 10 01 00	A2 304	42,4 x 2,0
10 10 02 00	A2 304	42,4 x 2,6



handrail support

rigid, hollow, pin distance 78 mm, grain 320

Art.-Nr. art. no.	Material material	Rohr \varnothing tube \varnothing
10 30 94 00	A2 304	42,4 x 2,0
10 31 27 00	A4 316	42,4 x 2,0



handrail support

with tilt joint, hollow, pin distance 78 mm, grain 320

Art.-Nr. art. no.	Material material	Rohr \varnothing tube \varnothing
10 30 95 00	A2 304	42,4 x 2,0
10 31 21 00	A4 316	42,4 x 2,0



handrail support

rigid, grain 320

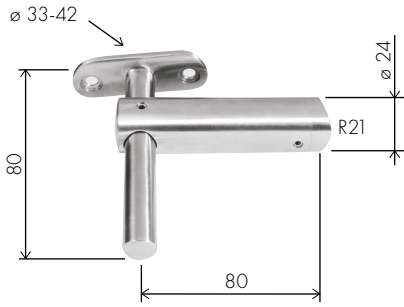
art. no.	material	tube \varnothing
10 10 25 00	A2 304	42,4 x 2,0



handrail support

with tilt joint, grain 320

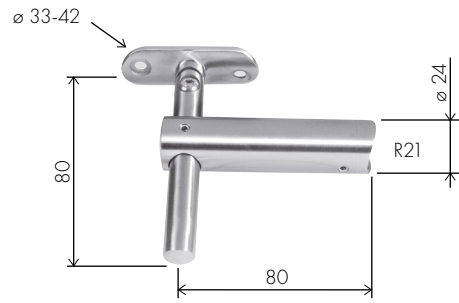
art. no.	material	tube \varnothing
10 10 03 00	A2 304	42,4 x 2,0



handrail support

for side mounting, variable, axial distance 80, grain 320

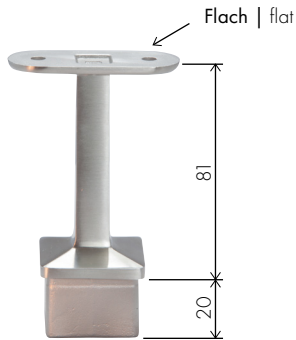
art. no.	material	for tube Ø
10 10 32 00	A2 304	33,7 - 42,4 x 2,0



handrail support

for side mounting with tilt joint, axial distance 80, grain 320

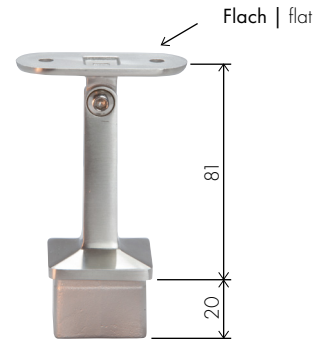
art. no.	material	for tube Ø
10 10 31 00	A2 304	33,7 - 42,4 x 2,0



handrail support

rigid, hollow, pin distance 81 mm, grain 320

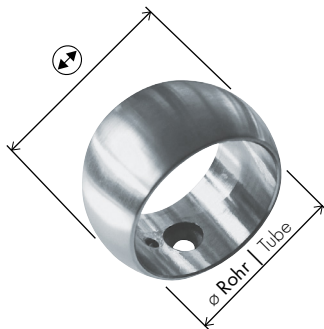
art. no.	material	for tube
10 24 19 40	A2 304	□40 x 2,0



handrail support

with tilt joint, hollow, pin distance 81 mm, grain 320

art. no.	material	for tube
10 24 20 40	A2 304	□40 x 2,0



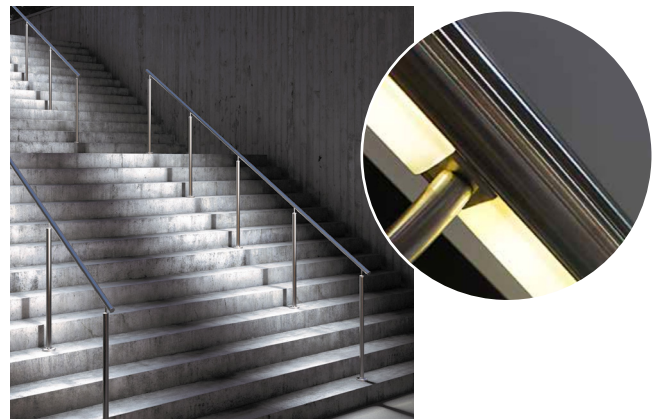
ball rings

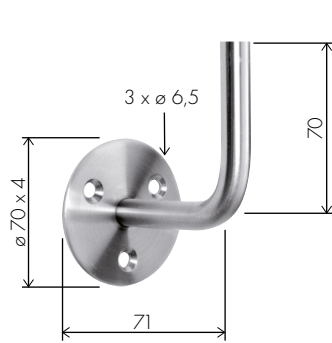
grain 320

art. no.	material	for tube Ø	↔
10 90 42 00	A2 304	33,7	45
10 90 43 00	A2 304	42,4	55

balustrades and handrails with LED technology

we would be glad to consult you !
please call us +49 (0) 62 1-39 72 42-0

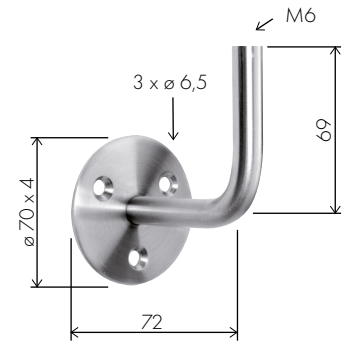




handrail support

for welding, grain 320

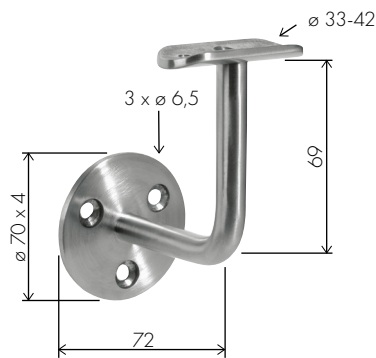
art. no.	material
10 10 13 00	A2 304



handrail support

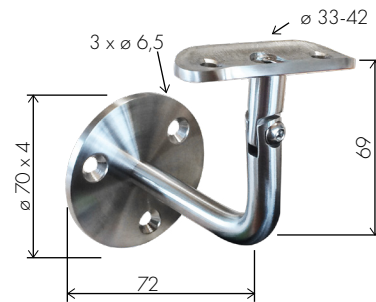
with internal thread M6

art. no.	material
10 10 39 00	A2 304



handrail support

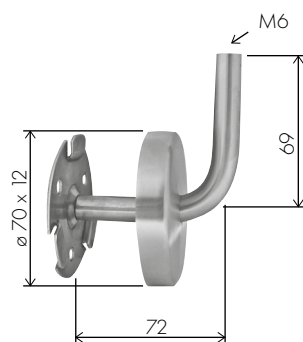
art. no.	material	adapter
10 24 11 42	A2 304	ø 33,7 - 42,4



handrail support

with tilt joint

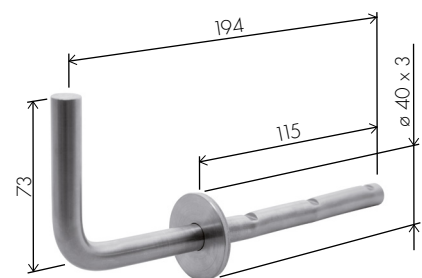
art. no.	material	adapter
10 20 32 70	A2 304	ø 33,7 - 42,4



handrail support

with internal thread M6

art. no.	material
10 24 45 70	A2 304

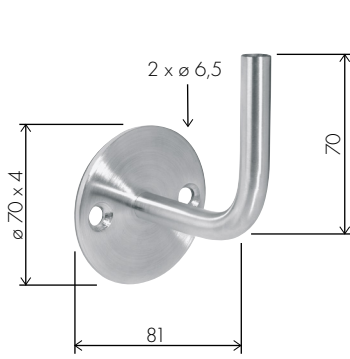


Rundplatte fest verschweißt
round plate firmly welded

handrail support

grain 320

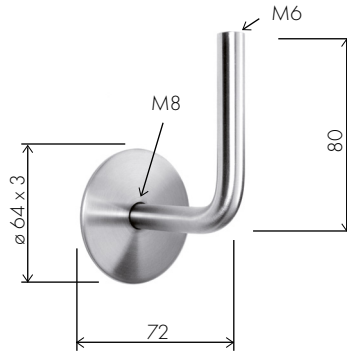
art. no.	material			
10 10 36 00	A2 304	73	40	3



handrail support

for welding, grain 320

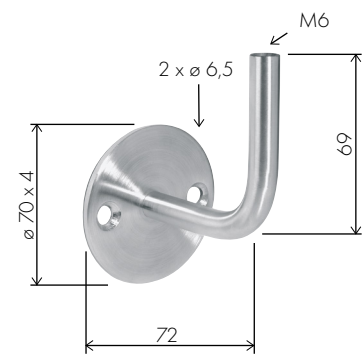
art. no.	material
10 10 38 00	A2 304



handrail support

with internal thread M6 for handrail adapter and M8 for hanger bolt from behind, brushed grain 320

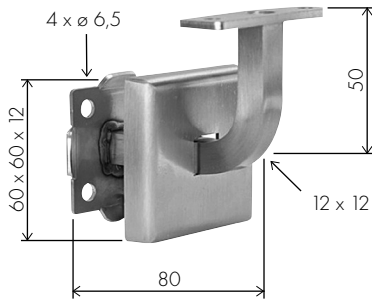
art. no.	material
10 00 26 00	A2 304



handrail support

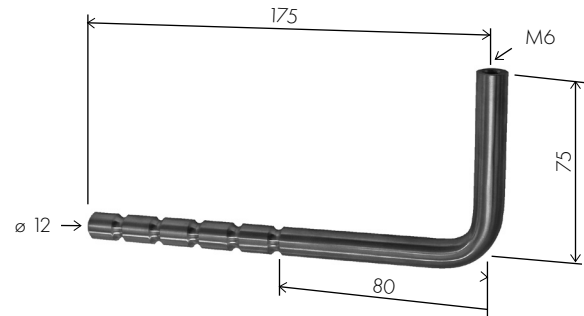
with internal thread M6, grain 320

art. no.	material
10 00 27 00	A2 304



handrail support

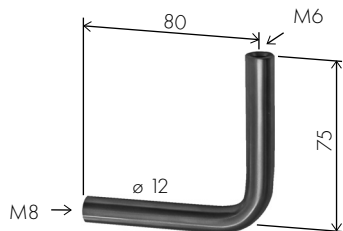
art. no.	material	tube
10 24 46 80	A2 304	□40x2,0



handrail support

with internal thread M6

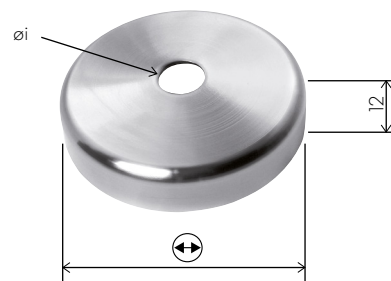
art. no.	material
10 24 73 12	A2 304



handrail support

with internal thread M6 and M8

art. no.	Material material
10 24 74 12	A2 304



cover plates

grain 320

art. no.	material	⊕	Øi
10 20 05 00	A2 304	45	12
10 20 00 00	A2 304	70	12
10 20 07 00	A2 304	76	12



tube connectors

90° round, grain 320

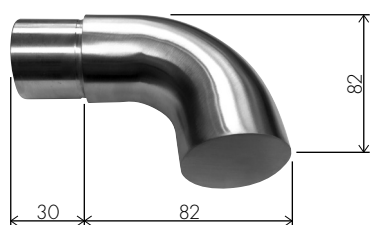
art. no.	material	tube Ø	H
10 30 00 00	A2 304	33,7 x 2,0	48
10 30 01 00	A2 304	42,4 x 2,0	51,2
10 40 35 00	A2 304	48,3 x 2,0	64
10 55 24 00	A4 316	33,7 x 2,0	55
10 55 25 00	A4 316	42,4 x 2,0	65



tube connectors

90° square, grain 320

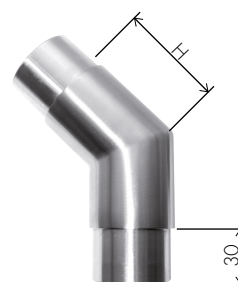
art. no.	material	tube Ø	H
10 30 02 00	A2 304	33,7 x 2,0	52
10 30 03 00	A2 304	42,4 x 2,0	52
10 40 36 00	A2 304	48,3 x 2,0	58
10 55 26 00	A4 316	33,7 x 2,0	55
10 55 27 00	A4 316	42,4 x 2,0	65



end elbow

flat, grain 320

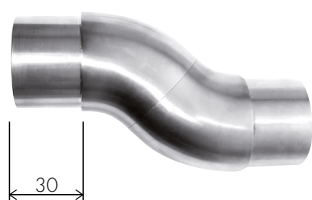
art. no.	material	tube Ø
10 30 97 00	A2 304	42,4 x 2,0



tube connectors

135°, grain 320

art. no.	material	tube Ø	H
10 30 75 00	A2 304	33,7 x 2,0	30
10 30 76 00	A2 304	42,4 x 2,0	37
10 40 37 00	A2 304	48,3 x 2,0	44
10 55 30 00	A4 316	33,7 x 2,0	25
10 55 31 00	A4 316	42,4 x 2,0	50



tube connectors

infinitely adjustable, grain 320

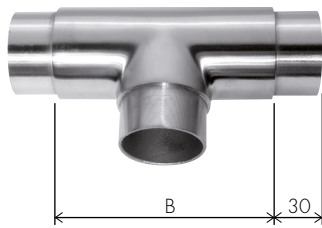
art. no.	material	tube Ø
10 30 18 01	A2 304	33,7 x 2,0
10 30 19 01	A2 304	42,4 x 2,0



tube connectors

180°, grain 320

art. no.	material	tube Ø
10 30 78 00	A2 304	33,7 x 2,0
10 30 79 00	A2 304	42,4 x 2,0
10 55 34 00	A4 316	33,7 x 2,0
10 55 35 00	A4 316	42,4 x 2,0



tube connectors

T-connector, grain 320

Art.-Nr. art. no.	Material material	Rohr Ø tube Ø	B
10 30 74 00	A2 304	33,7 x 2,0	50
10 30 04 00	A2 304	42,4 x 2,0	60
10 55 28 00	A4 316	33,7 x 2,0	50
10 55 29 00	A4 316	42,4 x 2,0	60



tube connectors

corner connector, grain 320

Art.-Nr. art. no.	Material material	Rohr Ø tube Ø	H
10 30 77 00	A2 304	33,7 x 2,0	52
10 30 05 00	A2 304	42,4 x 2,0	52
10 55 32 00	A4 316	33,7 x 2,0	55
10 55 33 00	A4 316	42,4 x 2,0	65



tube connectors

with joint, grain 320

art. no.	material	tube Ø	H
10 30 80 00	A2 304	33,7 x 2,0	22
10 30 06 00	A2 304	42,4 x 2,0	28
10 55 36 00	A4 316	33,7 x 2,0	26
10 55 37 00	A4 316	42,4 x 2,0	28



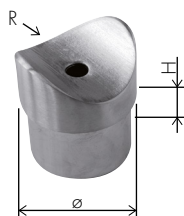
10 30 17 00

10 30 10 00
10 30 11 00

expansion sleeves

with clamping, grain 320

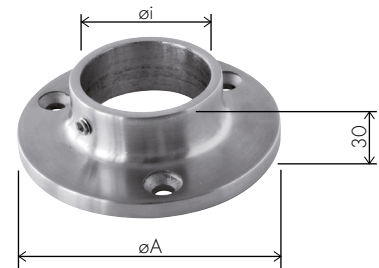
art. no.	material	tube Ø
10 30 17 00	A2 304	42,4 x 2,0
10 30 10 00	A2 304	42,4 x 2,0
10 30 11 00	A2 304	42,4 x 2,6



tube adapters

90°, grain 320

art. no.	material	tube Ø	H	R
10 30 81 00	A2 304	33,7 x 2,0	6	33,7
10 30 56 00	A2 304	33,7 x 2,0	6	42,4
10 30 15 00	A2 304	42,4 x 2,0	12	42,4



flange plates

grain 320

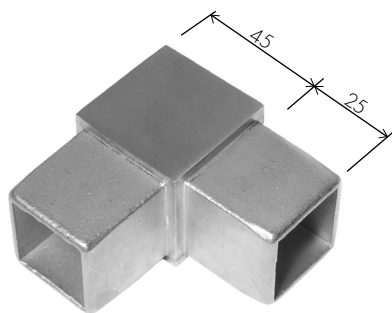
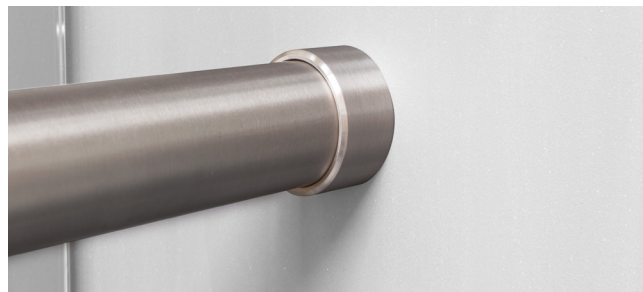
art. no.	material	Ø i	Ø A
10 30 82 00	A2 304	33,7	85
10 30 83 00	A2 304	42,4	95



wall mount

2 pcs. oblong hole 8,5 x 16,5
tube inset = 15 mm

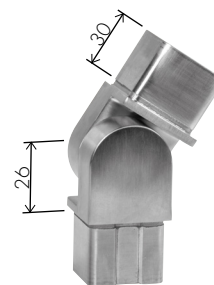
Art.-Nr. art. no.	Material material	Rohr Ø tube Ø
10 24 47 42	A2 304	42,4



corner connector

90°, grain 320

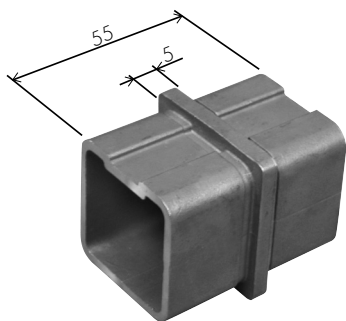
Art.-Nr. art. no.	Material material	Rohr tube
10 30 49 01	A2 304	40 x 40 x 2,0



connector

with joint, grain 320

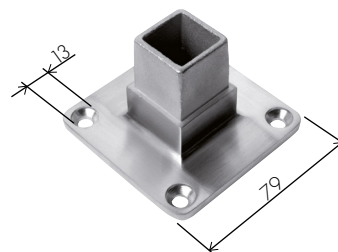
Art.-Nr. art. no.	Material material	Rohr tube
10 30 57 01	A2 304	40 x 40 x 2,0



tube connector

180°, grain 320

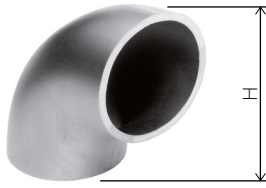
art. no.	material	tube
10 30 65 00	A2 304	40 x 40 x 2,0



flange plate

baseplate 79 x 79, 4 x Ø 8,5, grain 320

art. no.	material	tube
10 30 55 00	A2 304	40 x 40 x 2,0



welding elbows

grain 320

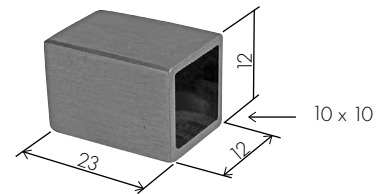
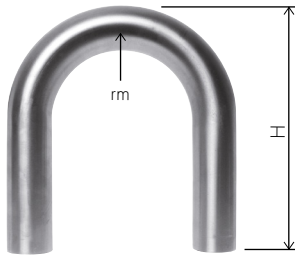
art. no.	material	tube Ø	H
10 30 22 00	A2 304	33,7 x 2,0	38
10 30 23 00	A2 304	42,4 x 2,0	48
10 20 83 48	A2 304	48,3 x 2,0	57

welding elbows

90°, grain 240 (after bending surface not brushed)

art. no.	material	tube Ø	rm*	B
10 90 12 00	A2 304	33,7 x 2,0	70	180
10 90 13 00	A2 304	42,4 x 2,0	100	240

* middle bending radius



welding elbows

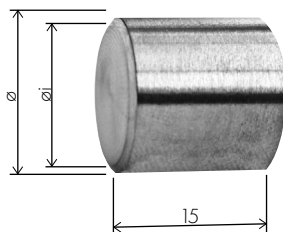
180°, grain 240 (after bending surface not brushed)

art. no.	material	tube Ø	rm*	H
10 90 08 00	A2 304	33,7 x 2,0	70	180
10 90 11 00	A2 304	42,4 x 2,0	100	220

* middle bending radius

endcap

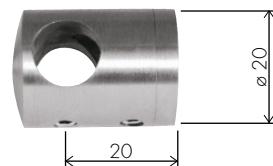
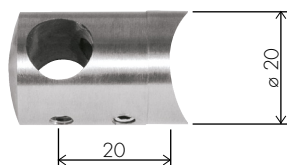
art. no.	material	for balusters
10 40 79 00	A2 304	10 x 10



endcaps

art. no.	material	Ø i	Ø
10 40 77 00	A2 304	10	12
10 40 78 00	A2 304	12	15





cross bar holders

cross bar holders

with through hole

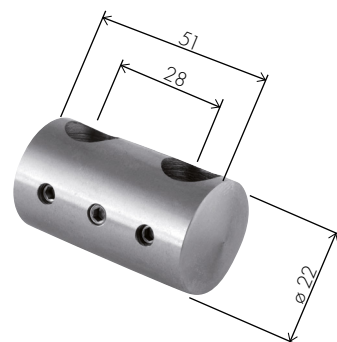
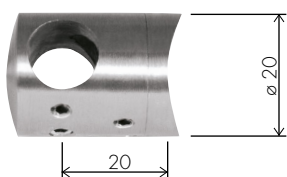
with through hole

art. no.	material	tube Ø	Ø
10 21 68 33	A2 304	33,7	10
10 21 68 42	A2 304	42,4	10
10 21 69 33	A2 304	33,7	12
10 21 69 42	A2 304	42,4	12
10 55 12 00*	A4 316	33,7	10
10 55 14 00*	A4 316	42,4	12

art. no.	material	tube	Ø
10 21 68 00	A2 304	□	10
10 21 69 00	A2 304	□	12
10 55 13 00*	A4 316	□	10
10 55 15 00*	A4 316	□	12

* head flat

* head flat



cross bar holders

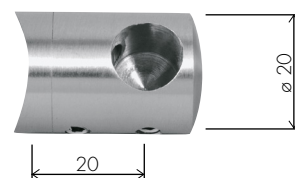
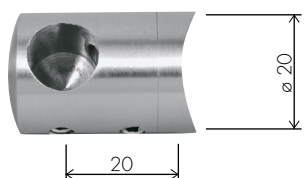
cross bar holder

with through hole, for butting

rotatable

art. no.	material	tube Ø	Ø
10 24 14 10	A2 304	33,7	10
10 24 15 12	A2 304	42,4	12
10 24 13 12	A2 304	ø	12

art. no.	material	Ø
10 40 22 00	A2 304	12/12



cross bar holders

cross bar holders

deadhole left

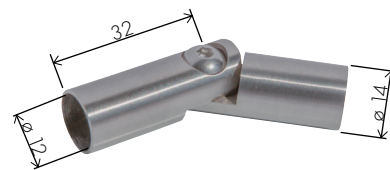
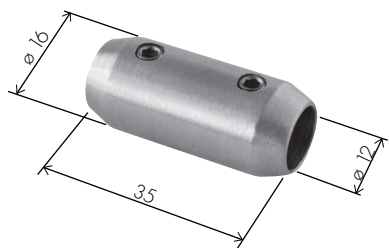
deadhole right

art. no.	material	tube Ø	Ø
10 21 71 42	A2 304	42,4	12
10 55 16 00*	A4 316	42,4	12

art. no.	material	tube Ø	Ø
10 21 72 42	A2 304	42,4	12
10 55 17 00*	A4 316	42,4	12

* head flat

* head flat

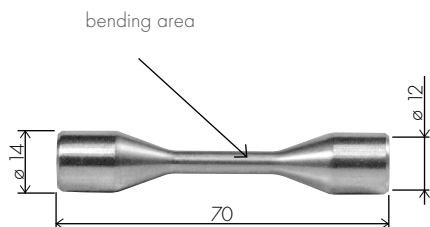


connector

180°		
art. no.	material	Ø
10 40 20 00	A2 304	12

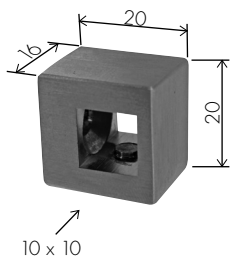
cross bar holder

with tilt joint 180° - 90°		
art. no.	material	Ø
10 30 90 00	A2 304	12



cross bar holder

bendable		
art. no.	material	Ø
10 31 43 00	A2 304	12/12



cross bar holder

with through hole		
art. no.	material	tube □
10 40 70 00	A2 304	-

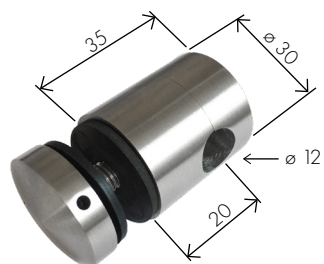
bar holder 90 °:
compatible for crossbars with an axial dimension of 20 mm



stainless steel railing components / point and sheet holder

point fixture, two-part
for retrofitting on existing crossbar
balustrades as:

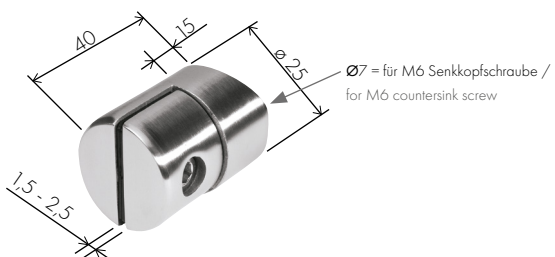
- climbing deterrent
- wind and privacy screen



point fixture

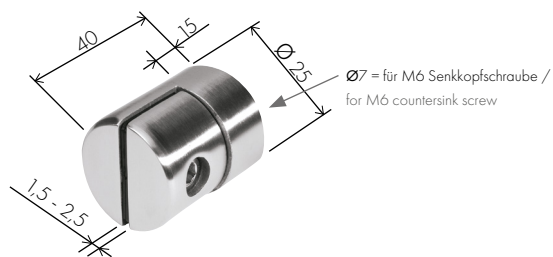
2 pcs. Ø 30 mm.

art. no.	material
10 24 56 12	A2 304



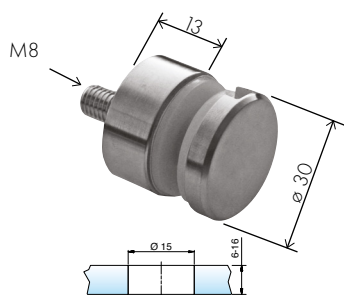
sheet holders

art. no.	material	tube Ø
10 24 17 33	A2 304	33,7
10 24 17 42	A2 304	42,4



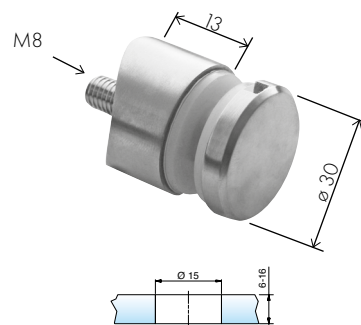
sheet holder

art. no.	material	tube □
10 24 16 00	A2 304	-



point fixture Ø 30 mm

art. no.	material	tube □
17 02 17 00	A2 304	-



point fixture Ø 30 mm

art. no.	material	tube Ø
17 02 18 00	A2 304	42,4



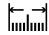
wooden handrail

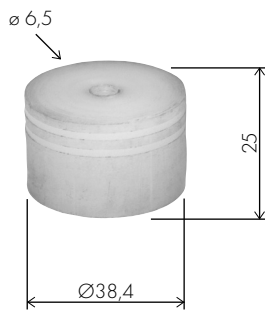
beech treated, DD lacquer

art. no.	Ø	
10 30 31 00	42,4	2000
10 30 32 00	42,4	3000

wooden handrail

oak treated, DD lacquer

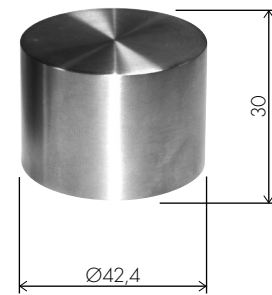
art.-no.	Ø	
10 30 33 00	42,4	2000
10 30 34 00	42,4	3000



adapter

for end caps

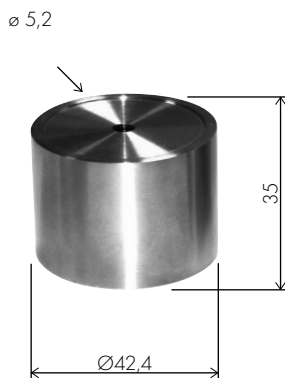
art. no.	material	Ø
10 30 28 00	POM	38,4



end cap

grain 320

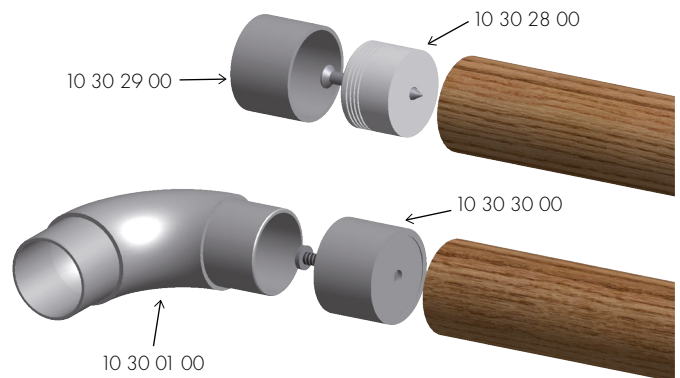
art. no.	material	Ø
10 30 29 00	A2 304	42,4

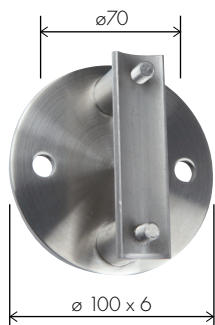


end cap

adapter for connector, grain 320

art. no.	material	Ø
10 30 30 00	A2 304	42,4

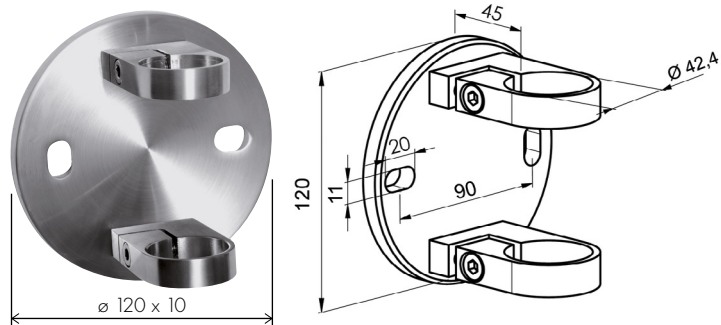




post anchor Set

distance wall - post 50 mm, grain 320

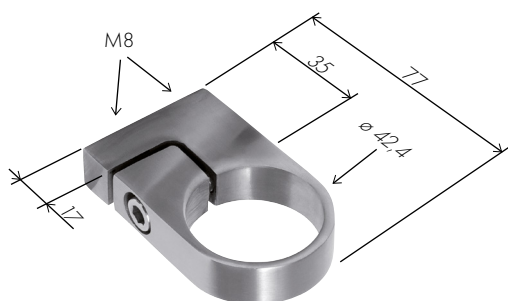
art. no.	material	tube Ø	hole Ø
10 24 09 45	A2 304	42,4	11



post wall mount with clamps

distance wall - post 45 mm, grain 320

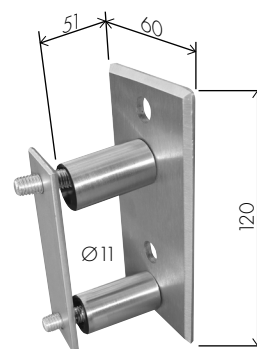
Art.-Nr.	Material	Rohr Ø	Bohrung Ø
art. no.	material	tube Ø	hole Ø
10 40 32 00	A2 304	42,4	120
			11 x 20



round tube clamp

distance - post 35 mm, internal thread 2x M8, grain 320

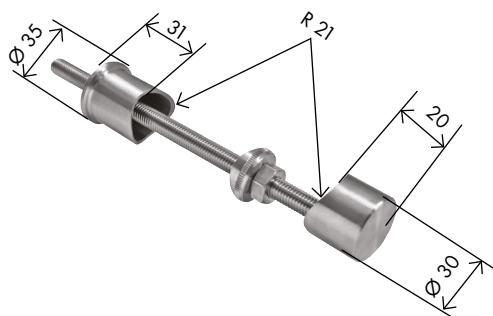
art. no.	material	tube Ø
10 40 30 00	A2 304	42,4



post anchor Set

distance wall plate - post. 51 mm, grain 320

art. no.	material	Bohrung Ø
10 30 35 00	A2 304	60 x 120

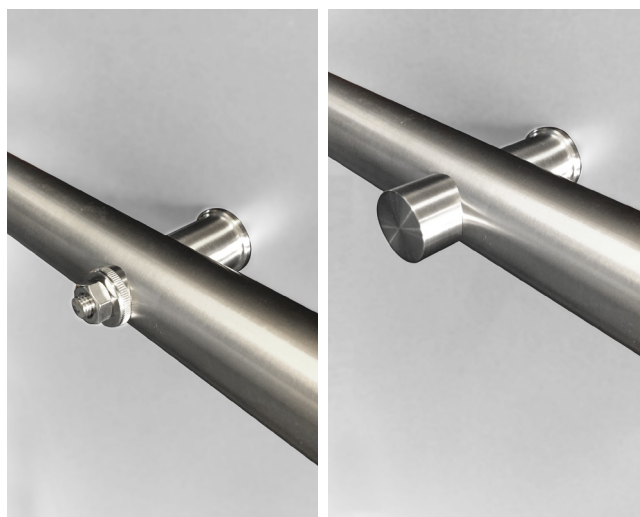


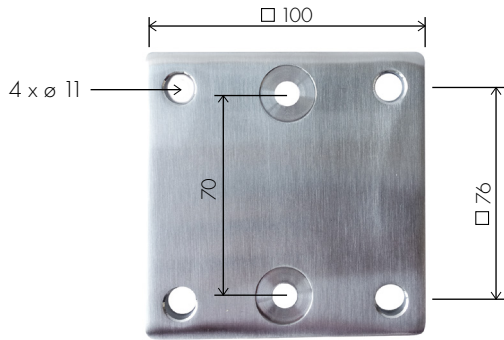
fixing element

distance - tube 31 mm, grain 320

art. no.	material	thread
10 50 28 00	A2 304	M10

ideal as a fixing element for railings or posts

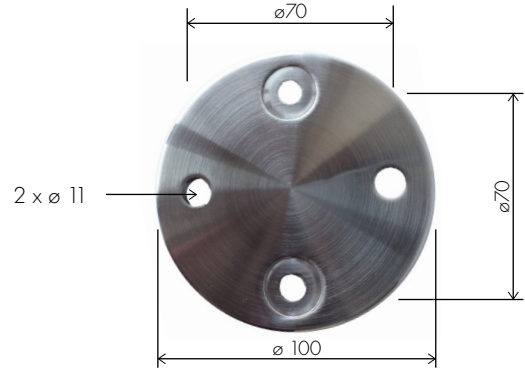




post wall mounting plate

square, grain 320

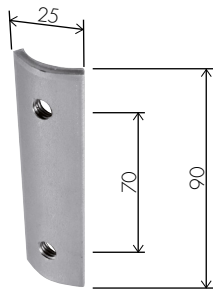
art. no.	material	
10 50 11 00	A2 304	□ 100



post wall mounting plate

round, grain 320

art. no.	material	
10 50 00 00	A2 304	○ 100

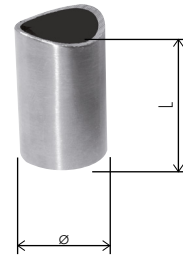


mounting plate

internal, raw

art. no.	material	tube Ø
10 50 09 00	A2 304	42,4

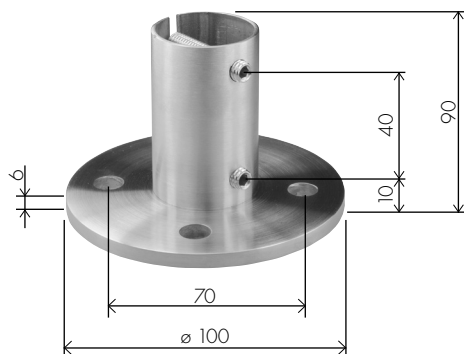
usable f. 10 50 11 00 / 10 50 00 00



spacers for wall mount

grain 320

art. no.	material	Ø	L
10 50 02 00	A2 304	20	30
10 50 03 00	A2 304	20	70



floor anchors, brushed

with expansion sleeve, grain 240

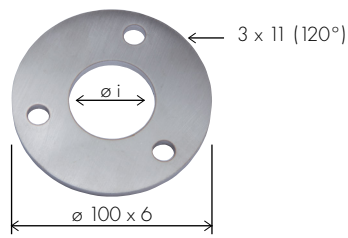
art. no.	material	tube Ø		
10 50 07 00	A2 304	42,4 x 2,0	100	6
10 55 42 00	A4 316	42,4 x 2,0	100	6



countersink screw

stainless, DIN 7991

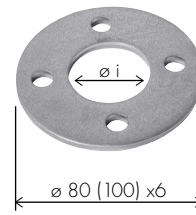
art. no.	material	thread
S7991A2D8X50	A2 304	M8 x 50
S7991A2D8X90	A2 304	M8 x 90



welding plate

for round tube, grain 240, one side brushed

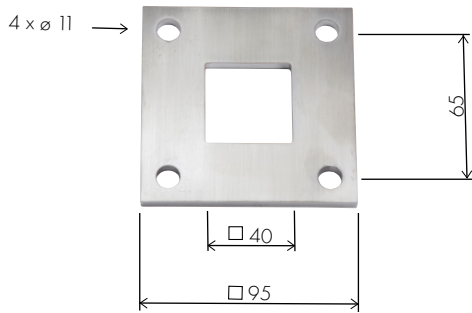
art. no.	material			Ø i
10 90 95 00	A2 304	100	6	42,4



welding plates

for round tube, rough

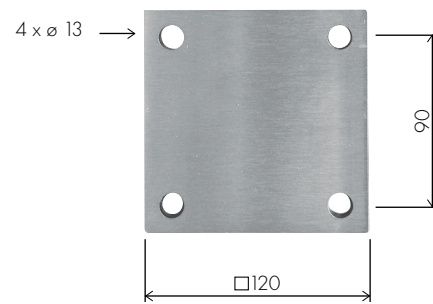
Art.-Nr. art. no.	Material material			Ø i	Bohrung Ø hole Ø
10 90 30 00	A2 304	80	6	33,7	8,5
10 90 17 00	A2 304	100	6	42,4	11



welding plate

for square tube, grain 240, one side brushed

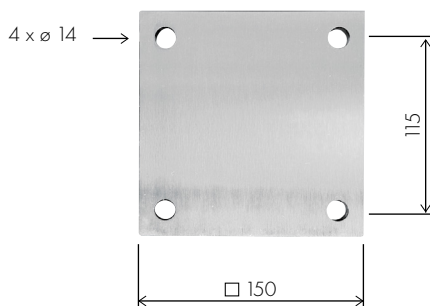
art. no.	material			inside Ø
10 80 18 00	A2 304	95 x 95	6	40 x 40



anchor plate

grain 240, one side brushed

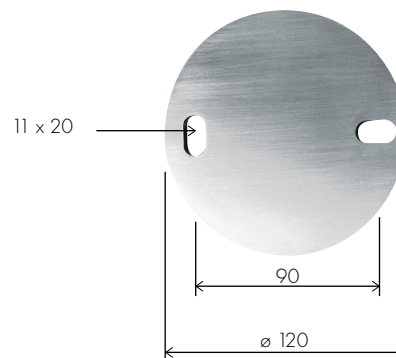
art. no.	material		
10 90 98 00	A2 304	120 x 120	8



anchor plate

grain 240, one side brushed

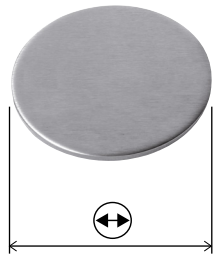
art. no.	material		
10 90 97 00	A2 304	150 x 150	8



anchor plate

grain 240, one side brushed

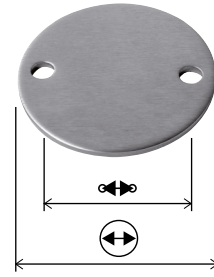
art. no.	material		
10 90 99 00	A2 304	Ø 120	8



welding plates

grain 240, one side brushed

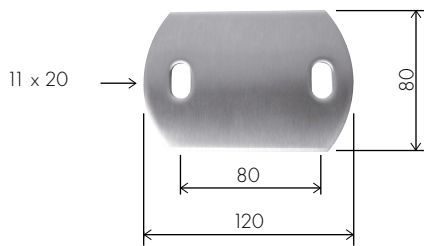
Art.-Nr. art. no.	Material material		
10 80 13 00	A2 304	33	4
10 80 14 00	A2 304	42	4
10 80 15 00	A2 304	48	4
10 80 16 00	A2 304	60	4
10 80 17 00	A2 304	70	6
10 80 10 00	A2 304	80	4
10 80 11 00	A2 304	100	6



welding plates

grain 240, one side brushed

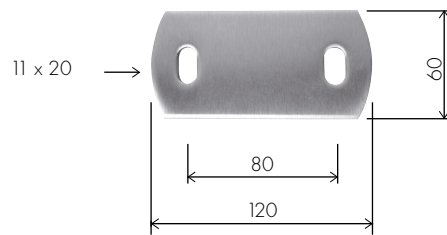
art. no.	material			hole Ø	
10 80 12 00	A2 304	70	6	11	46
10 80 01 00	A2 304	80	4	11	50
10 80 02 00	A2 304	100	6	11	75
10 80 03 00	A2 304	120	6	11	90
10 55 41 00	A4 316	100	6	11	75



anchor plate

grain 240, one side brushed

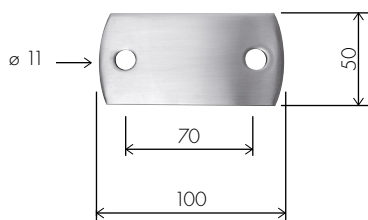
art. no.	material		
10 80 19 00	A2 304	120 x 80	6



anchor plate

grain 240, one side brushed

art. no.	material		
10 80 09 00	A2 304	120 x 60	6

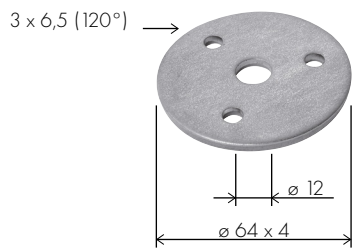


anchor plate

grain 240, one side brushed

art. no.	material		
10 80 08 00	A2 304	100 x 50	6

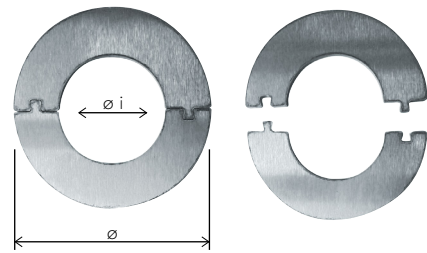




welding plate

for round bar, raw

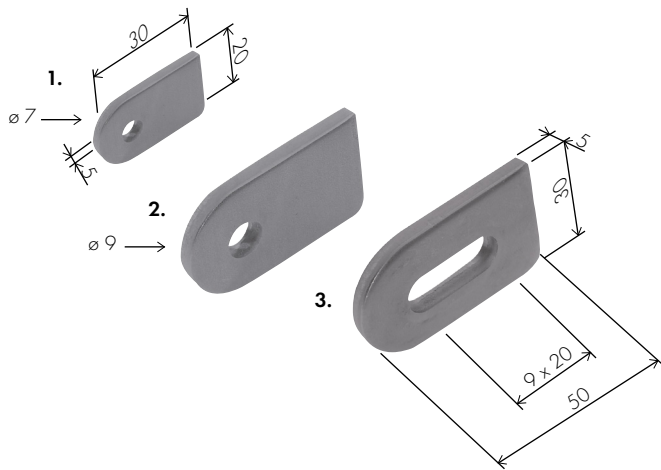
art. no.	material			inside Ø	hole Ø
10 90 16 00	A2 304	64	4	12	6,5



cover plate

divided and pluggable, grain 320

art. no.	material	Ø	ø i	t
10 80 20 00	A2 304	80 mm	≈ 42,5 mm	4 mm



welding brackets

raw

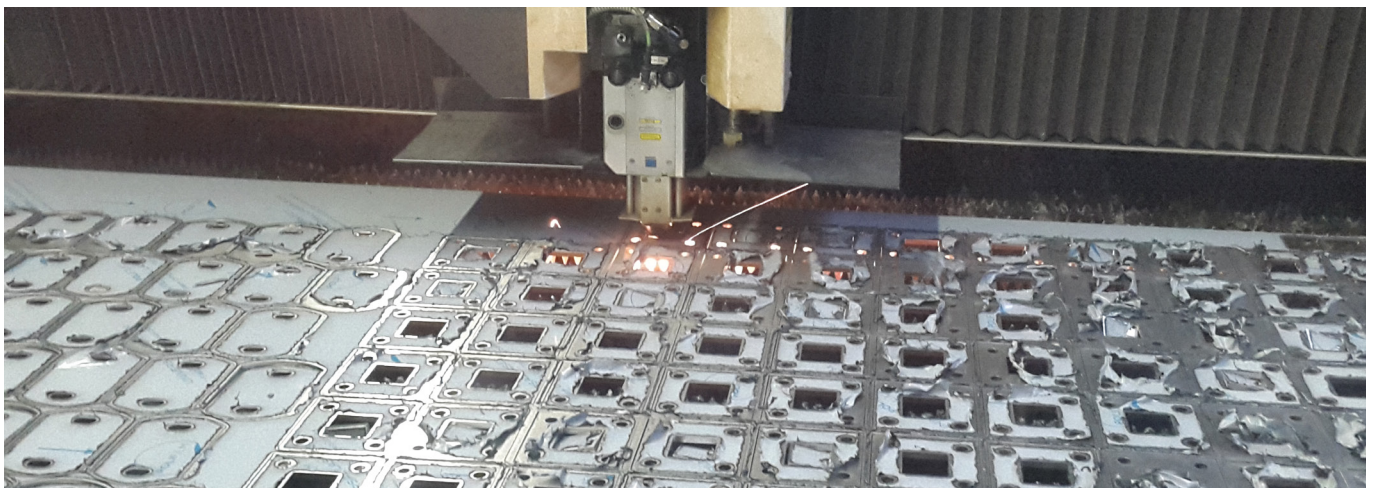
Nr.	art. no.	material		thickness	hole Ø
1.	10 90 48 00	A2 304	30 x 20	5	7
2.	10 90 14 00	A2 304	50 x 30	5	9
3.	10 90 15 00	A2 304	50 x 30	5	9 x 20

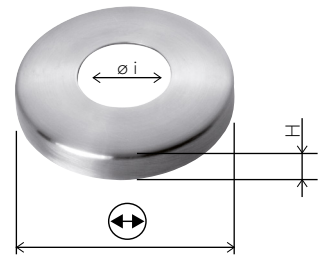
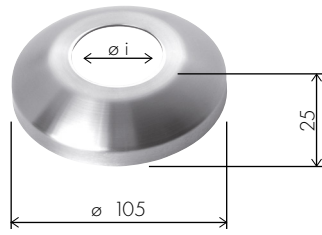


end caps

oval, for welding, raw

art. no.	material	tube Ø	H
10 90 03 00	A2 304	33,7	4
10 90 04 00	A2 304	42,4	5
10 90 05 00	A2 304	48,3	5
10 90 06 00	A2 304	60,3	6





cover plate

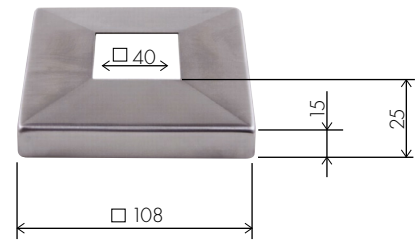
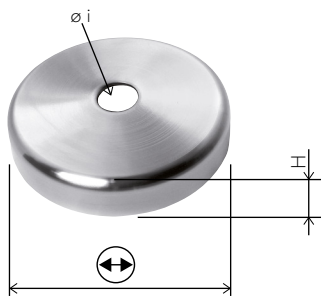
beveled, grain 320

art. no.	material	Ø i	H	Ø i
10 20 01 00	A2 304	105	25	43

cover plates

grain 320

art. no.	material	Ø i	H	Ø i
10 20 02 00	A2 304	85	15	34,5
10 20 06 00	A2 304	85	15	43,0
10 20 03 00	A2 304	105	25	43,0
10 55 43 00	A4 316	105	15	43,0
10 20 10 00	A2 304	129	25	43,0
10 20 04 00	A2 304	105	25	49,0
10 20 11 00	A2 304	129	25	49,0



cover plates

grain 320

art. no.	material	Ø i	H	Ø i
10 20 05 00	A2 304	45	12	12,5
10 20 00 00	A2 304	70	12	12,5
10 20 07 00	A2 304	76	12	12,5

cover plate


for square tube, grain 320

art. no.	material	inside	H	inside
10 30 59 01	A2 304	108 x 108	25	□ 40



round tube

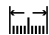
grain 320, brushed

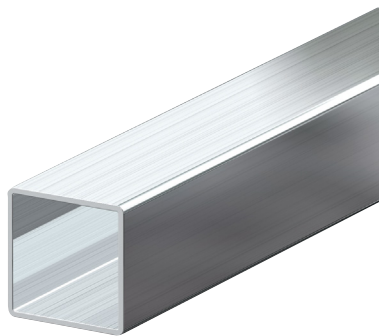
art. no.	material	tube Ø		
10 90 46 00	A2 304	33,7 x 2,0		6000
10 90 33 00	A2 304	33,7 x 2,0		3000
10 90 55 00	A2 304	33,7 x 2,0		2000
10 90 45 00	A2 304	42,4 x 2,0		6000
10 90 34 00	A2 304	42,4 x 2,0		3000
10 90 56 00	A2 304	42,4 x 2,0		2000
10 90 74 00	A2 304	48,3 x 2,0		6000
10 90 75 00	A2 304	48,3 x 2,0		3000
10 90 76 00	A2 304	48,3 x 2,0		2000
10 90 60 00	A4 316	33,7 x 2,0		6000
10 90 61 00	A4 316	33,7 x 2,0		3000
10 90 62 00	A4 316	33,7 x 2,0		2000
10 90 63 00	A4 316	42,4 x 2,0		6000
10 90 64 00	A4 316	42,4 x 2,0		3000
10 90 65 00	A4 316	42,4 x 2,0		2000
10 90 77 00	A4 316	48,3 x 2,0		6000
10 90 78 00	A4 316	48,3 x 2,0		3000
10 90 79 00	A4 316	48,3 x 2,0		2000



roundmaterial


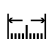
blank

art. no.	material	Ø		
10 90 52 00	A2 304	10		6000
10 90 31 00	A2 304	10		3000
10 90 53 00	A2 304	10		2000
10 90 47 00	A2 304	12		6000
10 90 54 00	A2 304	12		2000



square tube

grain 320

art. no.	material	tube			
10 90 58 00	A2 304	40 x 40 x 2,0	2		3000
10 90 73 00	A4 316	40 x 40 x 2,0	2		3000

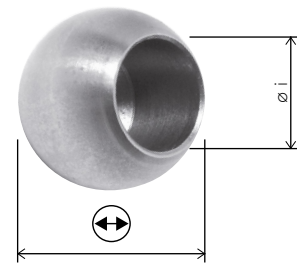


stainless steel ball

grain 320

art. no.	material		thread
10 60 15 00	A2 304	25	M6
10 60 16 00	A2 304	30	M6
10 60 17 00	A2 304	40	M6
10 60 18 00	A2 304	50	M8
10 60 19 00	A2 304	60	M8
10 60 20 00	A2 304	70	M8
10 60 21 00	A2 304	80	M8
10 60 22 00	A2 304	100	M10
10 60 23 00	A2 304	120	M10
10 60 24 00	A2 304	150	M10

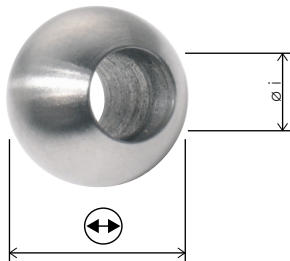
ø 25 mm und ø 30 mm = solid
ab ø 40 mm = hollow



stainless steel ball solid

with dead hole, grain 320

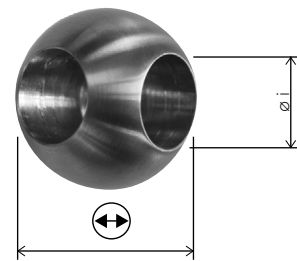
art. no.	material		Ø i
10 60 08 00	A2 304	20	12
10 60 11 00	A2 304	25	12
10 60 12 00	A2 304	30	12



stainless steel ball solid

with through hole, grain 320

art. no.	material		Ø i
10 60 13 00	A2 304	25	12
10 60 10 00	A2 304	30	12



stainless steel ball solid

grain 320

art. no.	material		inside Ø
10 60 44 00	A2 304	25	12 (90°)



threaded adapter

stainless steel

art. no.	material	thread
14 20 36 00	A2 304	M6/M8
14 20 37 00	A2 304	M8/M10



stainless steel system posts in standard dimensions

stock items

assemble your posts yourself.

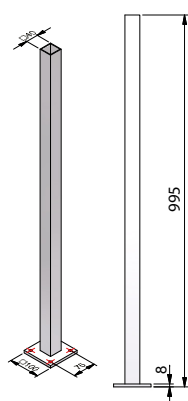
install glass clamps and handrail adapters of your choice.

the posts for clamps are delivered without the clamps. cross bar holders are pre-assembled.

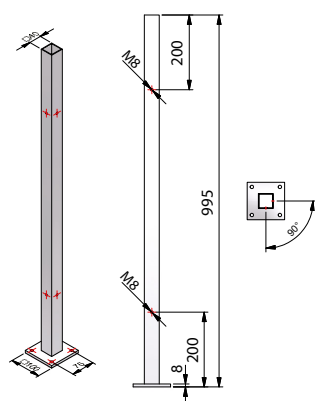
item 10216900A2 (hole for 12 mm)



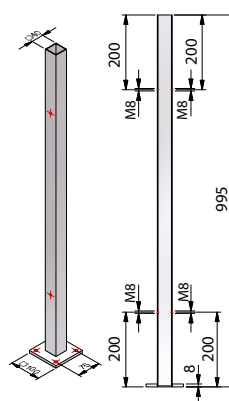
undrilled post



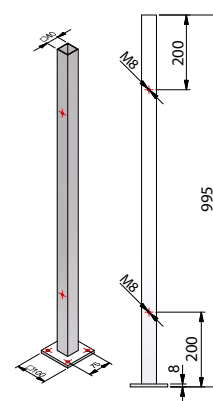
corner post



middle post

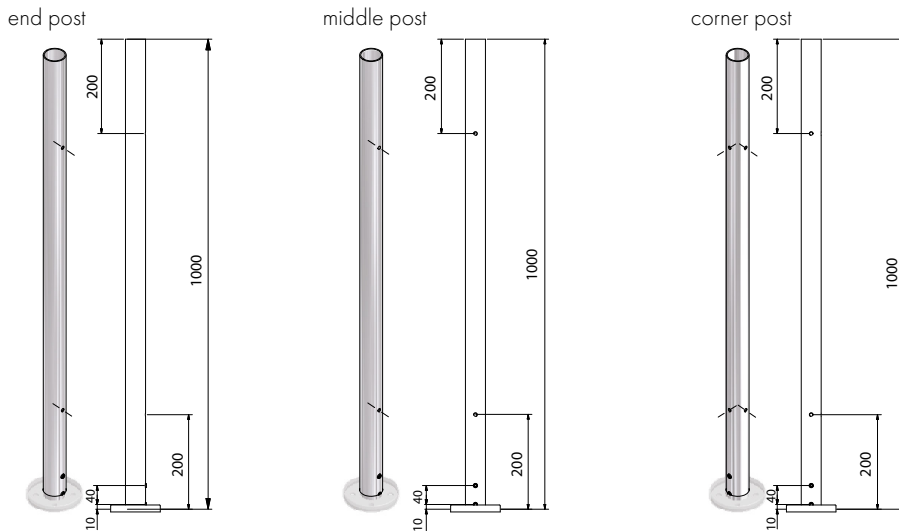


end post



square posts

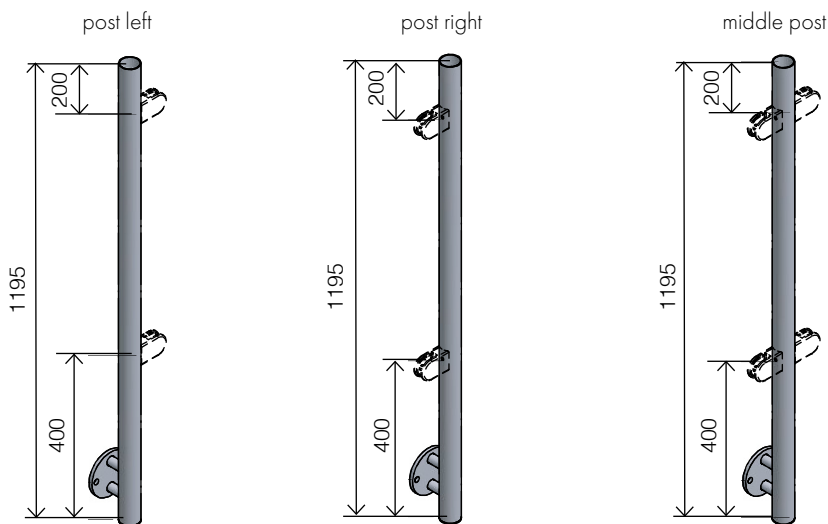
art. no.	material	description	length	mounting
10238540A2	stainless steel 304	Post undrilled 40x40 incl. foot	995 mm	top mounted
10238640A2	stainless steel 304	Cornerpost 40x40 incl. foot	995 mm	top mounted
10238740A2	stainless steel 304	Middle post 40x40 incl. foot	995 mm	top mounted
10238840A2	stainless steel 304	Endpost 40x40 incl. welded foot,	995 mm	top mounted


technical data:

- tube 42,4 x 2,0 mm
- flange plate firmly welded with 3 holes
- cover plate 105 x 25 mm
- upper tube end is open for the installation of a handrail support of your choice

round posts

art. no.	material	description	length	mounting
10235742A2-PSC	stainless steel 304	TUBE FOR EDGE POST, FLOOR ANKER	995 mm	top mounted
10235742A4-PSC	stainless steel 316	TUBE FOR EDGE POST, FLOOR ANKER	995 mm	top mounted
10235542A2-PSC	stainless steel 304	TUBE FOR END POST, FLOOR ANKER	995 mm	top mounted
10235542A4-PSC	stainless steel 316	TUBE FOR END POST, FLOOR ANKER	995 mm	top mounted
10235642A2-PSC	stainless steel 304	TUBE FOR POST, MIDDLE	995 mm	top mounted
10235642A4-PSC	stainless steel 316	TUBE FOR POST, MIDDLE	995 mm	top mounted


round posts

art. no.	material	description	length	mounting
10236042A2-PSC	stainless steel 304	TUBE FOR MIDDLE POST, (BORES 180°)	1195 mm	front mounted
10236042A4-PSC	stainless steel 316	TUBE FOR MIDDLE POST, (BORES 180°)	1195 mm	front mounted
10236642A2-PSC	stainless steel 304	TUBE FOR POST LEFT, (BORES 1 SIDE)	1195 mm	front mounted
10236642A4-PSC	stainless steel 316	TUBE FOR POST LEFT, (BORES 1 SIDE)	1195 mm	front mounted
10236742A2-PSC	stainless steel 304	TUBE FOR POST RIGHT, (BORES 1 SIDE)	1195 mm	front mounted
10236742A4-PSC	stainless steel 316	TUBE FOR POST RIGHT, (BORES 1 SIDE)	1195 mm	front mounted

notice

Pauli Scandinavia AB 
Member of Pauli + Sohn GmbH group

Pauli Scandinavia AB

Fågelviksvägen 18 Hus 3
SE-145 53 Norsborg

Internet www.pauliscand.se
e-mail info@pauliscand.se

Phone +46 8 449 32 00
Fax +46 8 449 32 01