



enquiry sheet Kat B PV glass



Please fill in all fields and mark with a cross where applicable!

contact

company

telephone

contact

e-mail

customer no.

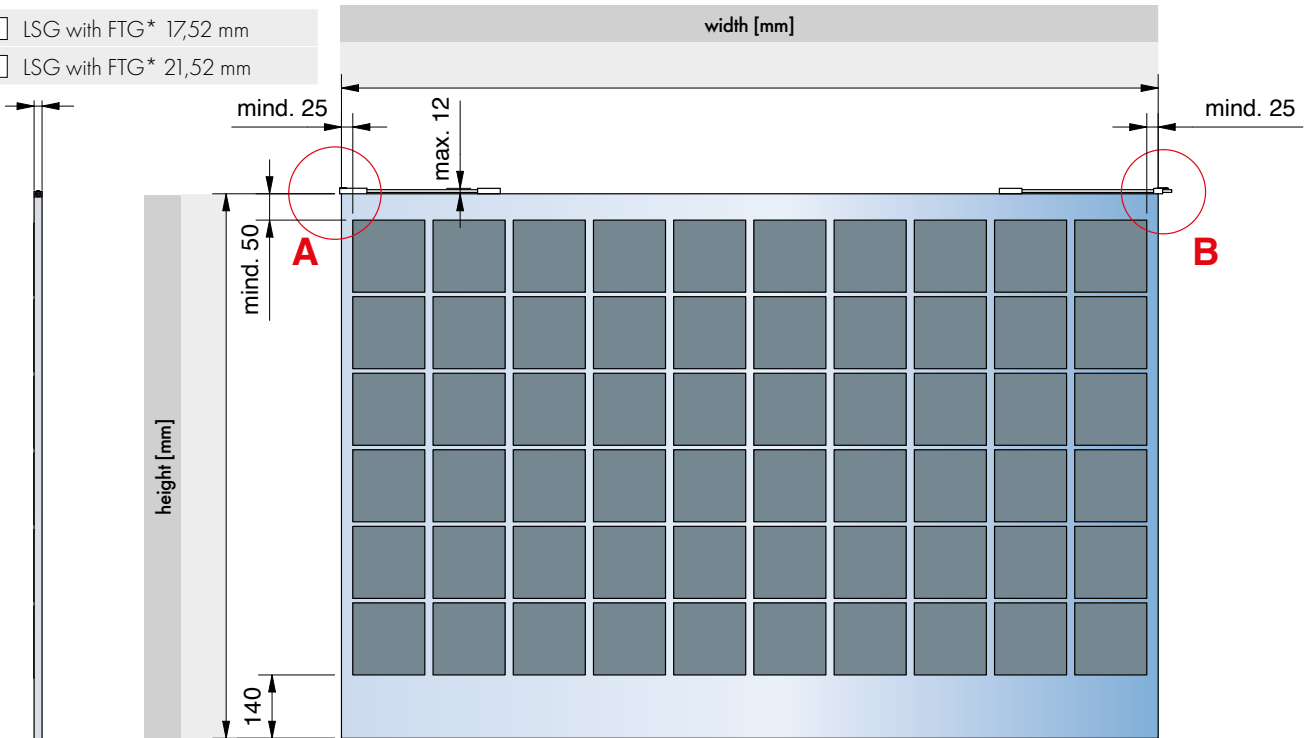
project/commission

(only one balustrade per sheet)

desired glass dimensions (please fill in as follows)

LSG with FTG* 17,52 mm

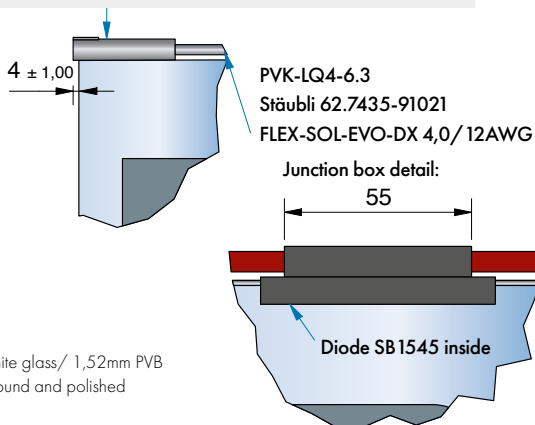
LSG with FTG* 21,52 mm



PVS-4SLIM-NEUTRAL (TE 1-1987558-3) or customized:

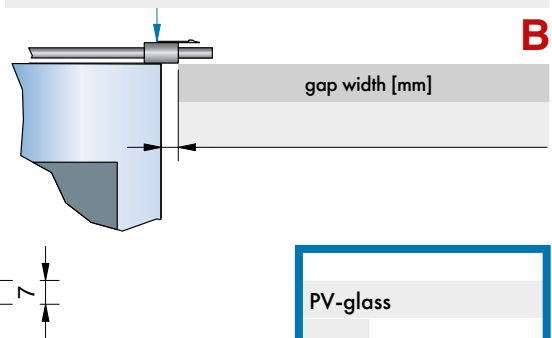
PVB-4SLIM-MINUS (TE 1-1987559-2) or customized:

A



* FTG white glass/ 1,52mm PVB edges ground and polished

B



PV-glass
Qty:

